

interatletika™

PRODUCTION AND SALE OF CHILDREN'S AND OUTDOOR
EQUIPMENT

Customer support:

☎ +38 095 273 81 53

play.interatletika.com

✉ export.team@interatletika.com

LK481 - Carousel "Orbit"
LK481-S - Carousel "Orbit" w/o seats
LK481.1 - Carousel "Sunflower"
LK481.1-S - Carousel "Sunflower" w/o seats
LK482 - Carousel "Galaxy"
LK483 - Carousel "Lines"
LK483.1 - Carousel "Summer"
LK484 - Carousel "Sombrero"
LK484.1 - Carousel "Cornflower"
LK485 - Carousel "Spider Web"
LK485.1 - Carousel "Little Sun"
LK486 - Carousel "Yin and Yang"
LK486.1 - Carousel "Ladybug"
LK487 - Carousel "Abstraction"
LK487.1 - Carousel "Leaf"
LK488 - Carousel "Graviton"
LK488.1 - Carousel "Helios"

DATA SHEET



1. GENERAL INFORMATION

- 1.1 Article number _____.
- 1.2 Name _____.
- 1.3 Manufacturer LLC «Company Sporttehnika», Ukraine, city of Chernihiv, Ushynsky St., 24.
- 1.4 Serial number and production date: _____, «____» _____ 20__ year.
- 1.5 Produced in accordance with regulatory documents: TC AT 28.9-31597759-001:2012.
- 1.6 The product is intended for children and creates conditions for:

- physical development of the child;
- development of coordination of movements, overcoming the fear of heights, development of agility and courage, a sense of collectivism in team games.

The manufacturer can make changes to the product design to improve its performance, change the design, etc. This document may not contain a description of such changes, but applies to the following modified products.

2. TECHNICAL DATA

Product code	Name	Dimensions, mm			Height of fall	Weight, kg
		Length	Width	Height		
LK481	Carousel "Orbit"	1490	1490	723	438	142,6
LK481-S	Carousel "Orbit" w/o seats	1490	1490	723	138	126,8
LK481.1	Carousel "Sunflower"	1490	1490	723	438	142,7
LK481.1-S	Carousel "Sunflower" w/o seats	1490	1490	723	138	126,9
LK482	Carousel "Galaxy"	1000	1000	746	407	59,7
LK483	Carousel "Lines"	1490	1490	736	438	145,8
LK483.1	Carousel "Summer"	1490	1490	736	438	145,7
LK484	Carousel "Sombrero"	2155	2155	900	472	282,8
LK484.1	Carousel "Cornflower"	2155	2155	900	472	282,7
LK485	Carousel "Spider Web"	1490	1490	721	138	124,7
LK485.1	Carousel "Little Sun"	1490	1490	721	138	125
LK486	Carousel "Yin and Yang"	1490	1490	747	438	158,9
LK486.1	Carousel "Ladybug"	1490	1490	747	438	159,1
LK487	Carousel "Abstraction"	1490	1490	723	138	122,7
LK487.1	Carousel "Leaf"	1490	1490	723	138	123,1
LK488	Carousel "Graviton"	2155	2155	900	375	323,9
LK488.1	Carousel "Helios"	2155	2155	900	375	323,9

3. COMPLETENESS

Complete set of the product is given in the «Complete set information» and «Complete set of metalware», supplied with the product.

4. CERTIFICATE OF ACCEPTANCE, PACKAGING AND CONSERVATION

Product _____, serial number _____ complies with regulatory documents TC AT 28.9-31597759-001:2012 and recognised as serviceable.

Quality control mark: «____» _____ 20__ year.

_____ Date _____ Full name

P.S.

Packed by LLC «Company Sporttehnika» in accordance with the requirements of regulatory documents.

«____» _____ 20__ year.

Packed by _____

Date of packing

Full name

Signature

Information on conservation and deconservation during operation

Conservation date	Conservation method	Conservation period	Deconservation date	Name of the company (organisation)	Position, full name	Signature

5. INFORMATION ON STORAGE, TRANSPORT AND DISPOSAL

The product is transported in the manufacturer's packaging by any means of transport that ensures its safety and protection from external factors (rain, snow, sunlight, water, high humidity, etc.).

Information about transportation

Date		Brand, state number of the ca/trailer	Position, full name	Signature
Departure	Arrival			

Before installation, store the product in the original packaging in dry, closed rooms with natural air ventilation.

If it is necessary to transport the product to another location after use, it is recommended to use the manufacturer's packaging.

If long-term storage of the product is required, the following storage rules must be observed (the list of conditions is not complete):

- place the product in a closed dry room with natural ventilation;
- protect the product from external factors (dust, water drops, etc.) with a large plastic bag, leaving space for free air circulation;

- take other measures to preserve the appearance and characteristics of the product during storage.

When removing the product from storage and preparing for installation, follow the next recommendations:

- remove the product from the packaging material (polyethylene, cardboard, other packaging materials);
- remove dust and other contaminants from the surface of the product;
- check completeness and absence of parts damages.

Storage information

Date		Product storage conditions	Full name	Signature
Putting into storage	Removal from storage			

After the end of the equipment's service life, the buyer independently determines the procedure for its use. If you decide to recycle, contact the seller or specialized organizations.

The equipment does not contain harmful impurities and materials that can harm your health and is not subject to special recycling.

6. INSPECTION AND TESTING

Before starting the operation of the product, it is visually inspected, checked: the integrity of paint coating, fasteners and structural strength.

If there are concrete support parts of the product, make sure that they are securely fixed and do not move.

Check that the equipment and site are free from packaging materials, construction debris and other foreign objects.

Check the proper condition of the shock-absorbing surfaces on the playground.

7. MAINTENANCE

Timely maintenance of the product is the responsibility of the buyer (or a responsible person) and includes:

1. Daily inspection - before using the product, check its performance, visual inspection for the absence of breakdowns, damage, sharp edges on components and parts, structural integrity, strength of wooden structures and element connection points, absence of unnecessary objects on the platforms. If the product is damaged, fully or partially inoperable, or otherwise defective, it is prohibited to use the product.

2. Scheduled inspection is carried out every three months.

It involves a detailed visual and operational inspection of the operation and stability of the equipment, especially with regard to any wear.

In the process of inspection, they determine:

- cleanliness and appearance of the surface of the playground and equipment;
- maintaining distances from parts of the equipment to the surface of the playground;
- absence of protruding parts of the foundations;
- absence of defects/malfunctions of equipment elements;
- wear of moving parts;
- structural integrity of equipment.

Special attention should be paid to hidden and inaccessible parts of the equipment.

3. Annual inspection is held every 12 months to establish the overall safety level of the equipment.

In the process of visual and functional inspection it is determined:

- structural stability;
- integrity of the foundation;
- strength of units of item elements connection;
- wear of sliding surfaces and grips.

Special attention should be given to:

- assessing the impact of weather events;
- the presence of rot or corrosion;
- parts that are closed to access during the entire period of operation.

The results of the inspection, repair or replacement of equipment components must be recorded in the maintenance record sheet.

Maintenance recording

Date and type of inspection	Name of the work done	Remarks on the technical condition	Position, full name, signature of the responsible person

8. INSTRUCTIONS FOR SAFE USE

WARNING! Children should be under adult's control during use of equipment.

Before operating the product, conduct a visual inspection, check the fasteners and structural strength.

The equipment is used without constant supervision by operating personnel. In order to ensure the safe operation of the product, the owner must conduct a daily visual inspection. If malfunctions are detected during the inspection, they must be immediately eliminated, and if this is not possible, the equipment must be closed for users.

There should not be any foreign objects, sharp elements, protrusions on the surface of the playground.

There should be impact-absorbing coating under playground equipment with a free fall height of more than 600 mm throughout the entire fall zone. With a free fall height of less than 1000 mm a turf shock-absorbing surface is allowed.

Examples of impact-absorbing coatings

Material ¹	Description	Minimal depth, mm	Height of fall, mm
Turf			≤1000
Tree bark	grain size 20-80 mm	200	≤2000
		300	≤3000
Sawdust	grain size 5-30 mm	200	≤2000
		300	≤3000
Sand ²	grain size 0,2-2 mm	200	≤2000
		300	≤3000
Gravel ²	grain size 2-8 mm	200	≤2000
		300	≤3000
Other materials ³	Characteristics of the tested material		Critical height of fall obtained during testing
1. Materials are specially prepared for playgrounds. 2. There should not be any clay inclusions. 3. Grain size is obtained by sieving through a sieve according to DSTU EN933-1.			

WARNING! Operating the product without an impact-absorbing coating may cause serious injury during falling down.

Playground surface materials with low impact-absorbing features are used only outside the fall zone.

Product use:

- It is recommended to show or tell children about the procedure of using the equipment;
- during use, it is recommended to hold onto handrails, railings, handles;
- do not use until the completion of its full and final installation;
- people of different age and weight category should not use the equipment;
- before use, it is necessary to clear the safety zone from foreign objects, sharp elements, protrusions;
- do not move the elements of the product not intended for this purpose;
- do not use in difficult weather conditions (ice, snow, rain, hail, strong winds, etc.), which may cause injury to the child.

The manufacturer is not responsible for the consequences:

- poor quality and improper installation of the product;
- use of low-quality materials and inadequate qualifications of personnel during installation of the product;
- use of the product earlier than the period necessary to fix the product in the soil or other material;
- design changes to the product that caused injury;
- lack of adult's control;
- violation of age and weight restrictions by users;
- damage to the product due to improper storage, installation or use of the product for purposes other than those intended.

9. INSTALLATION INSTRUCTIONS

Installation of the product can be carried out by the manufacturer, service centre or other legal entities and

individuals who have the necessary material and technical base and qualifications.

The product is installed on a prepared flat area, free from debris, trees and other obstacles that interfere with installation (when installed in winter, the area shall be additionally free from snow). The required size of the site is determined by the fall zone of the equipment. When installing in winter on natural ground, it is recommended to choose a site with compacted soil in the area of foundation placement.

The height difference of the prepared site should be:

a) no more than 50 mm for natural substrates, including substrates with subsequent shock-absorbing coating.

b) no more than 10 mm for hard substrates (asphalt, concrete), including substrates with subsequent application of a synthetic protective coating.

Before starting the installation, you must:

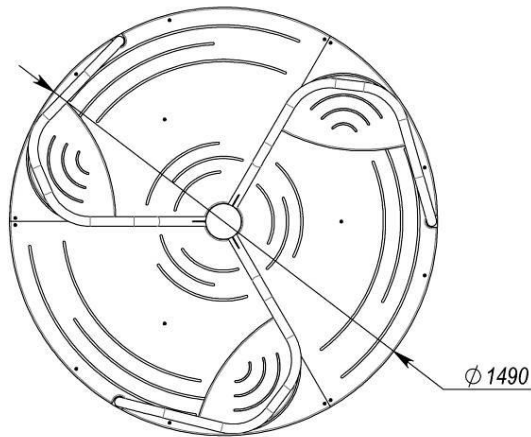
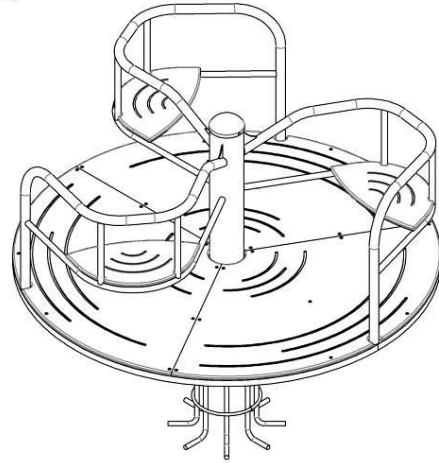
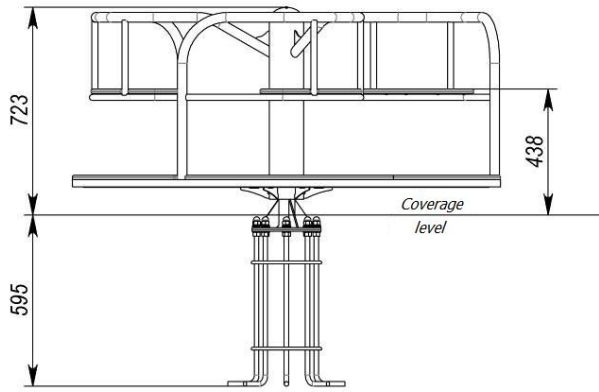
- study the documentation supplied with the product;
- check the completeness in accordance with the documents supplied with the product;
- remove the original packaging from the component part;
- comply with safety requirements.

WARNING! The presence and participation of children during the installation of the product is not allowed.

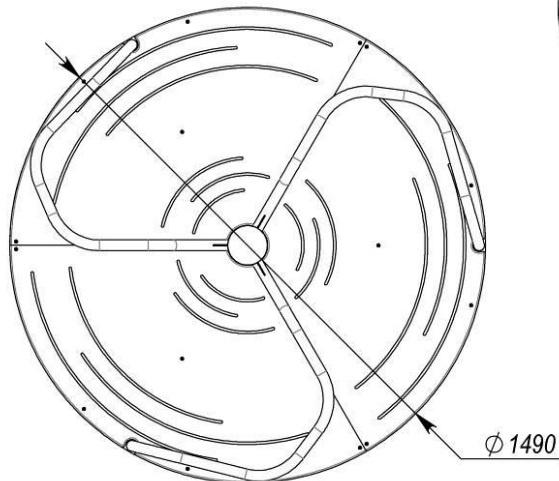
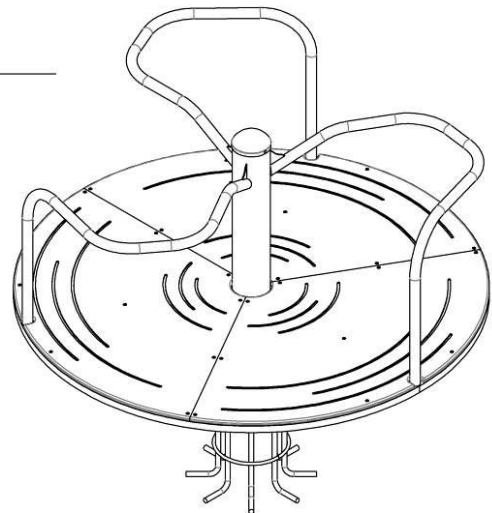
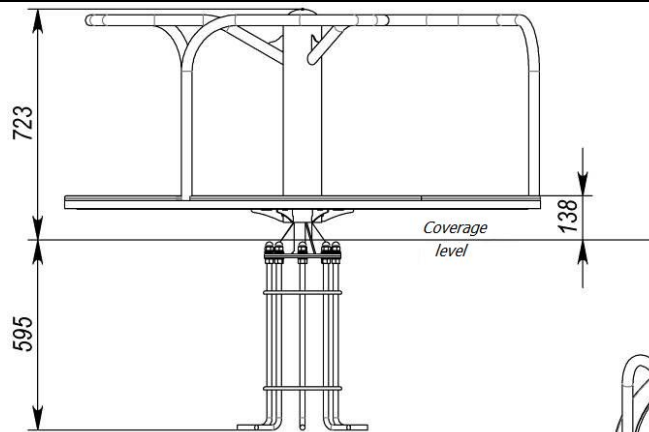
Install the product in stages, following the instructions in the appendix.

Table №1 – Appearance:

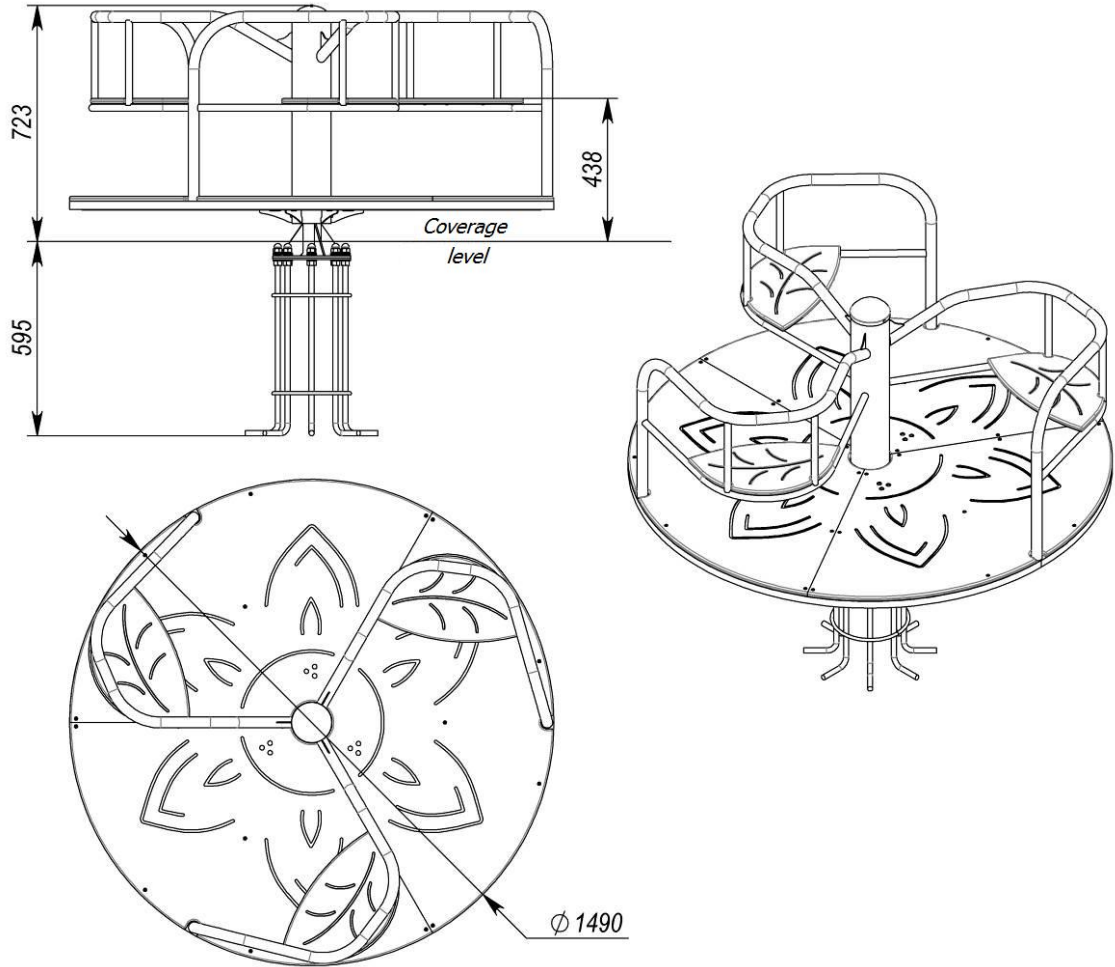
LK481



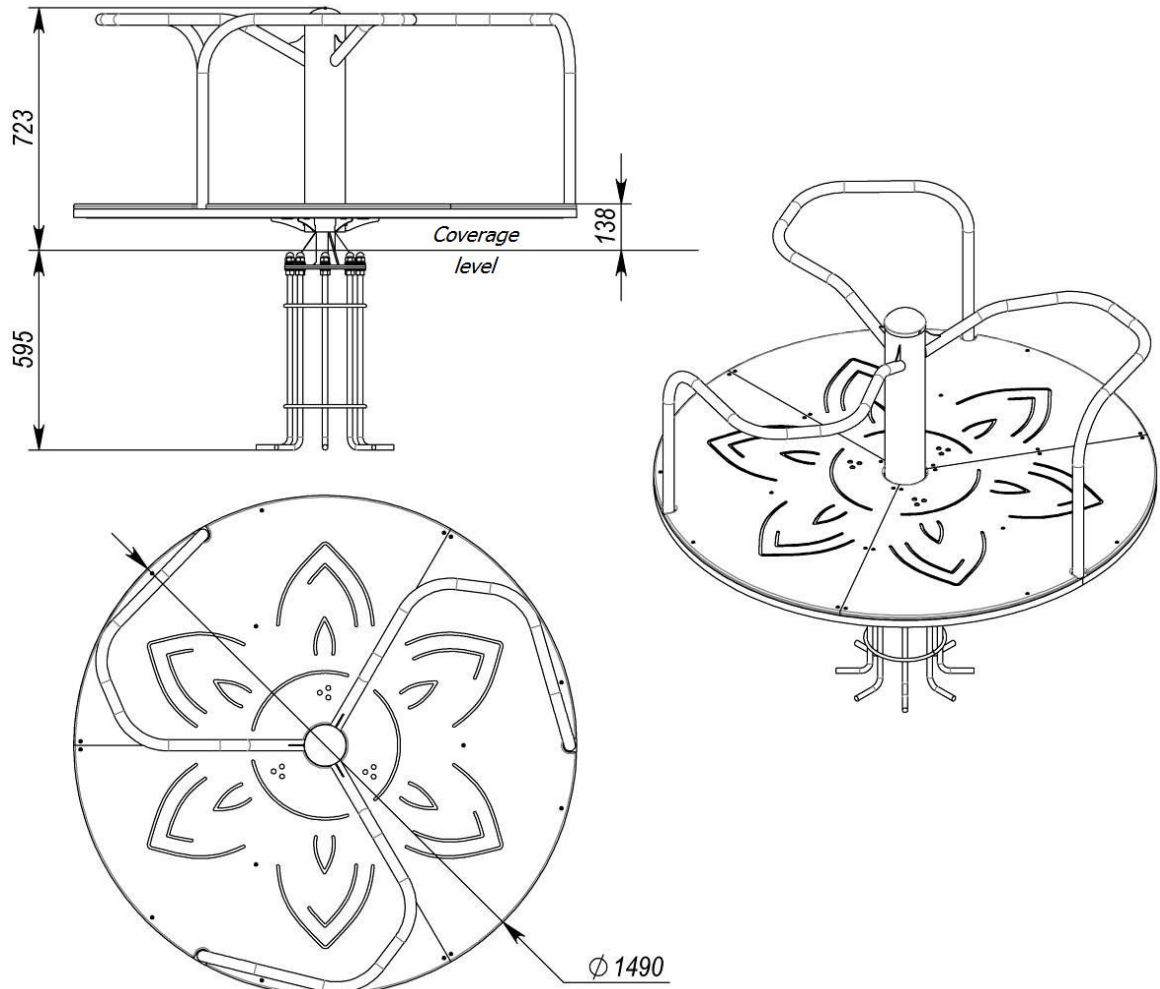
LK481-S



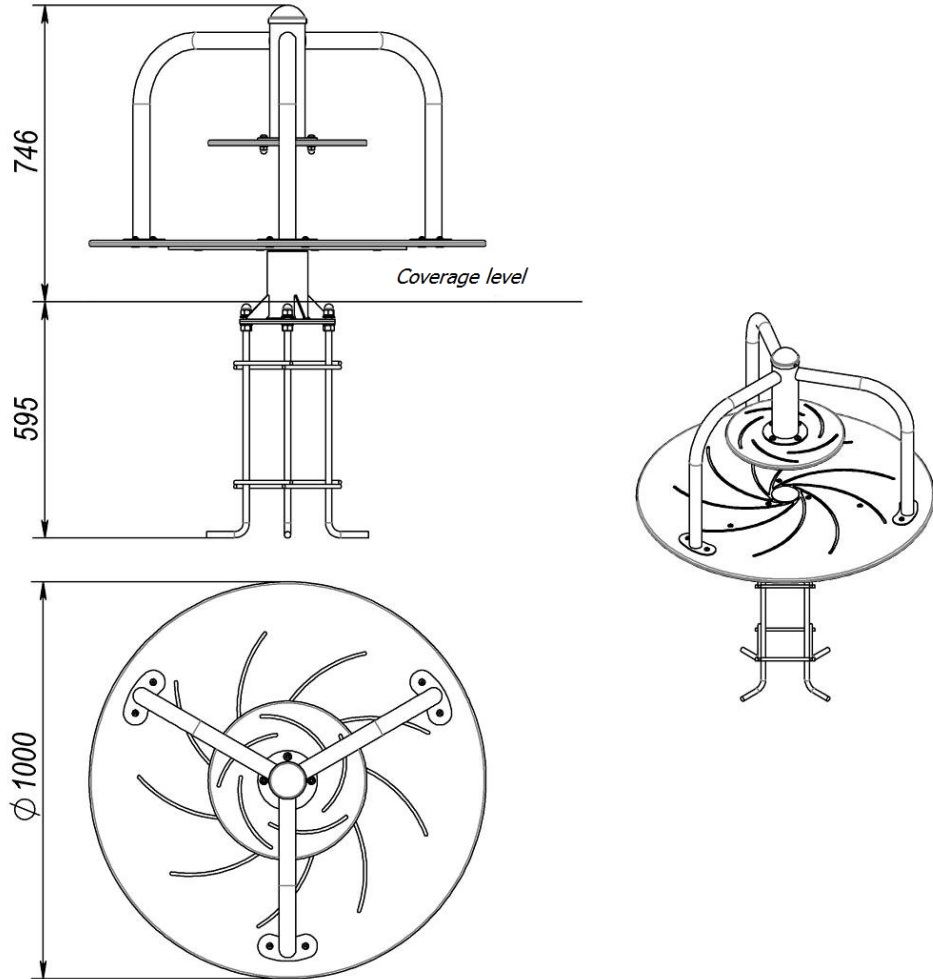
LK481.1



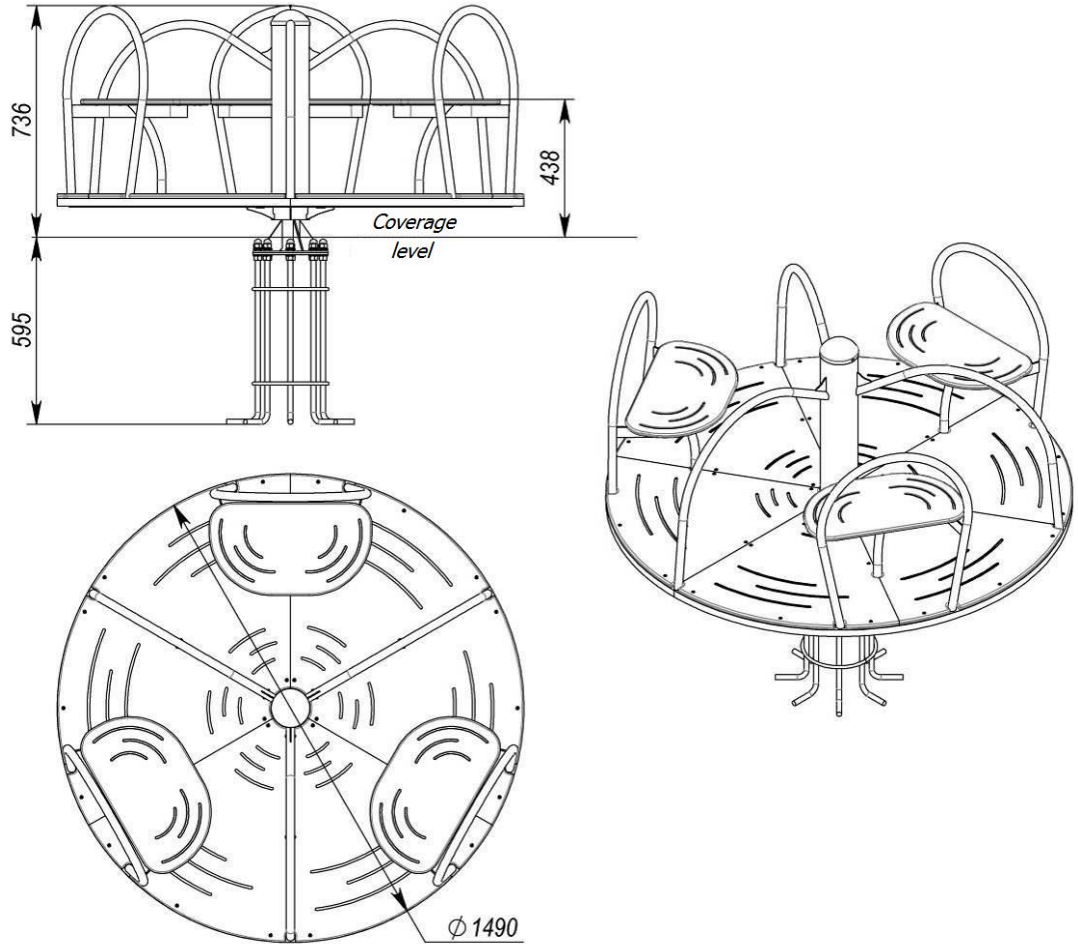
LK481.1-S



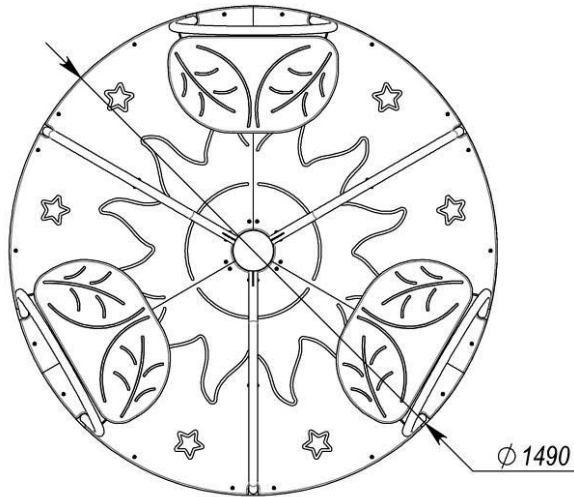
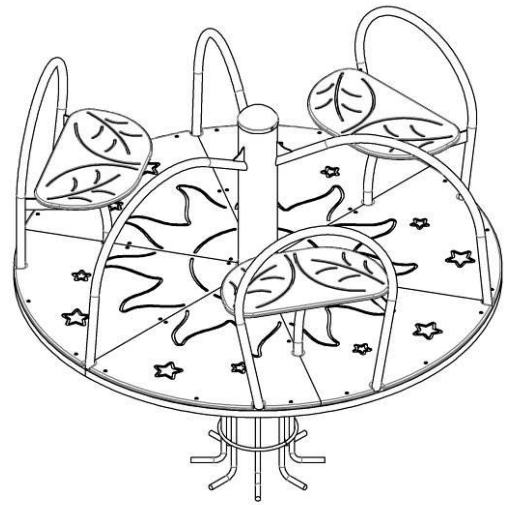
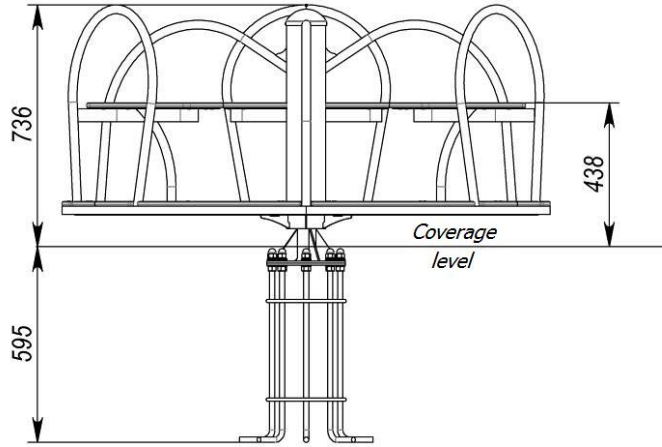
LK482



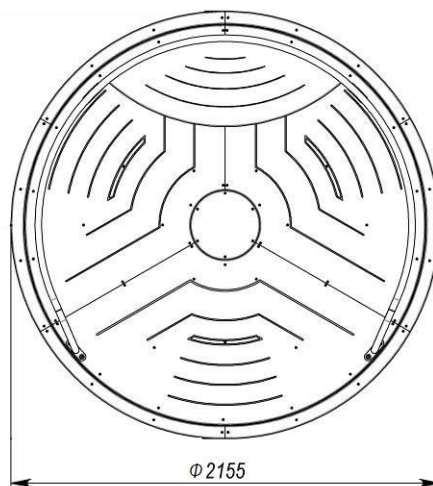
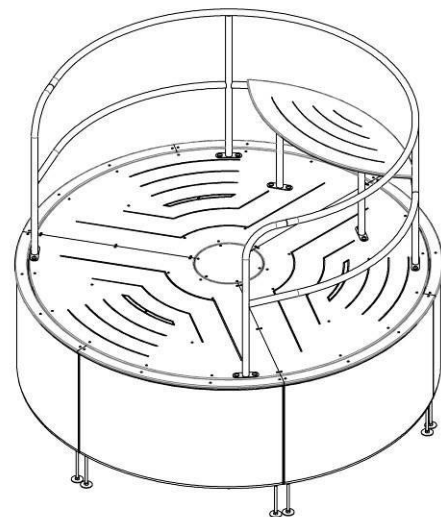
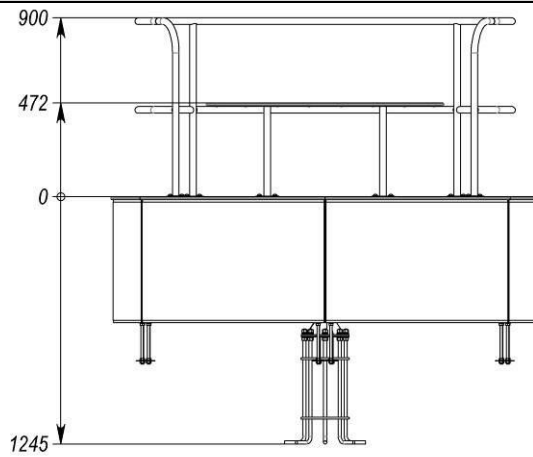
LK483



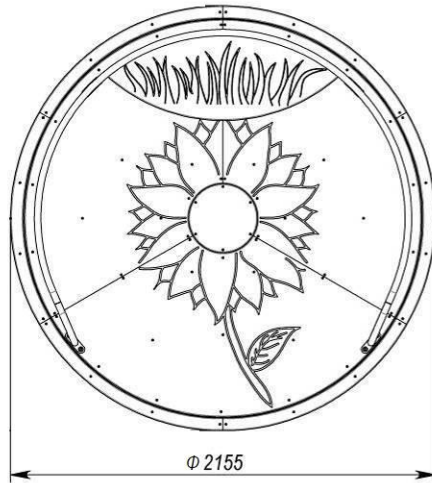
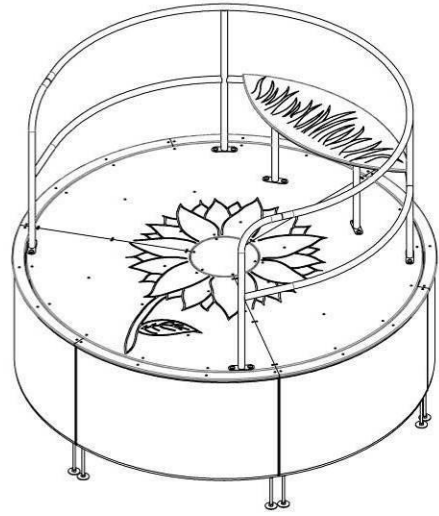
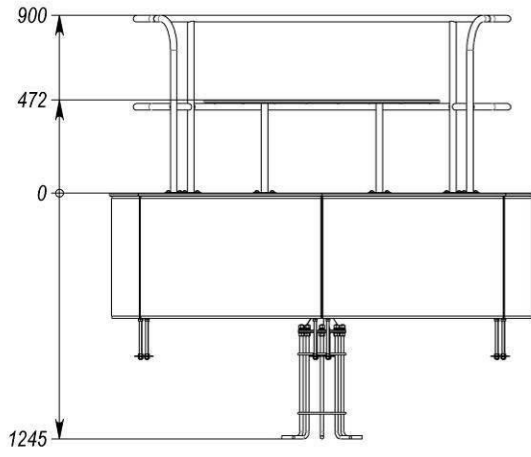
LK483.1



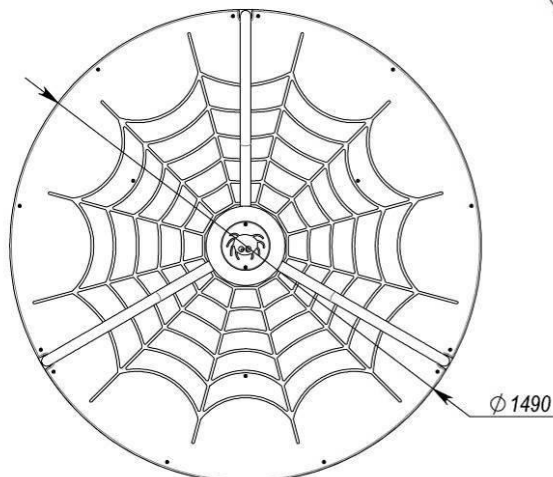
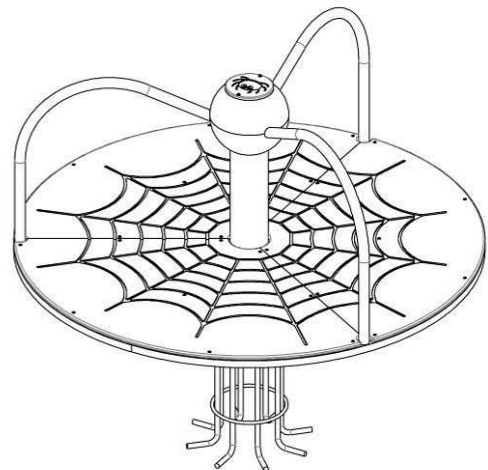
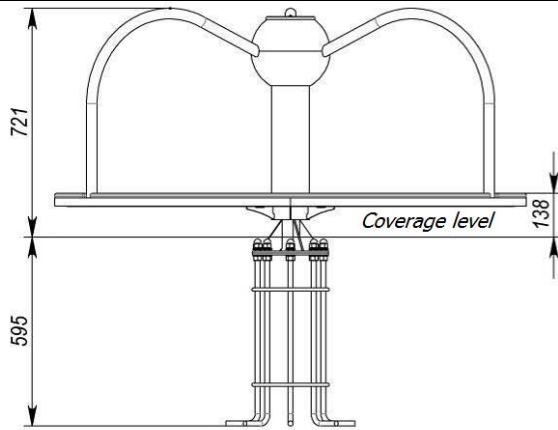
LK484



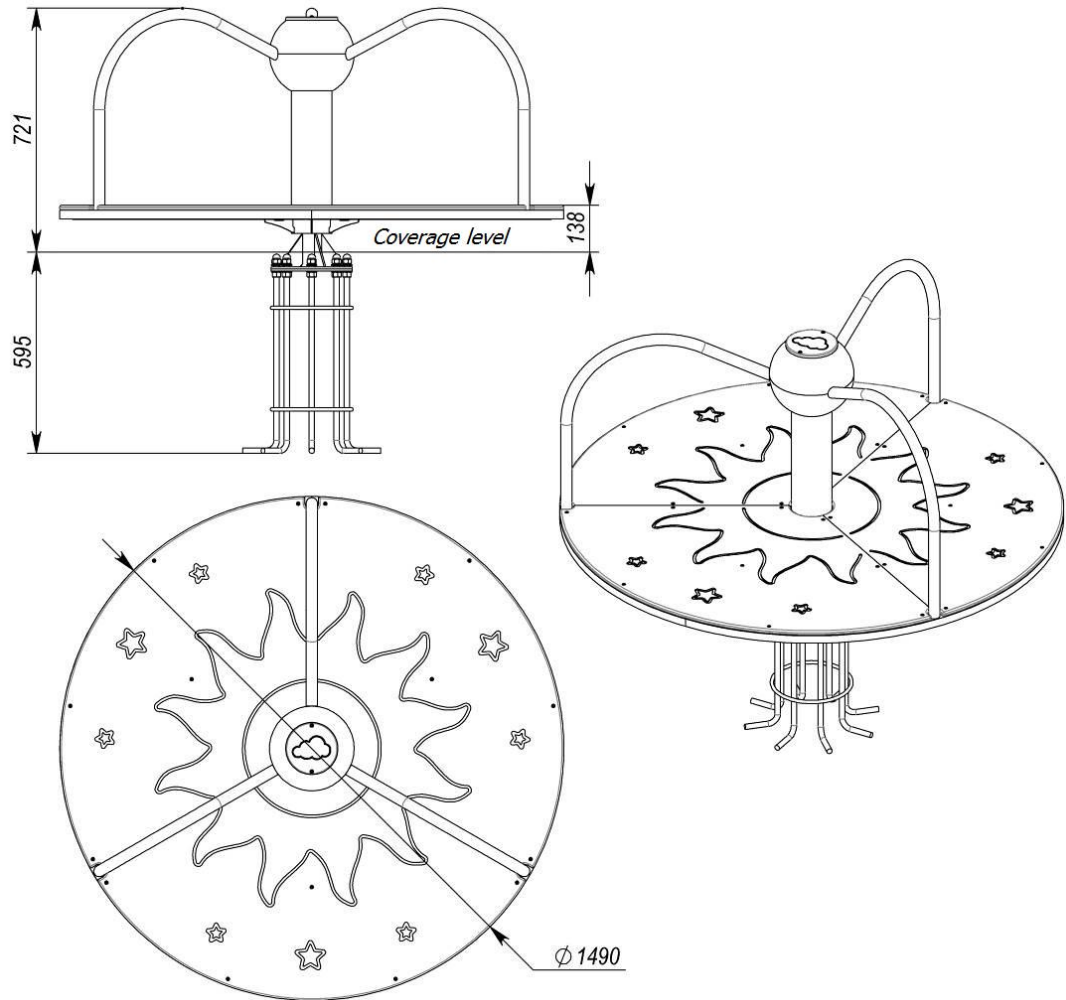
LK484.1



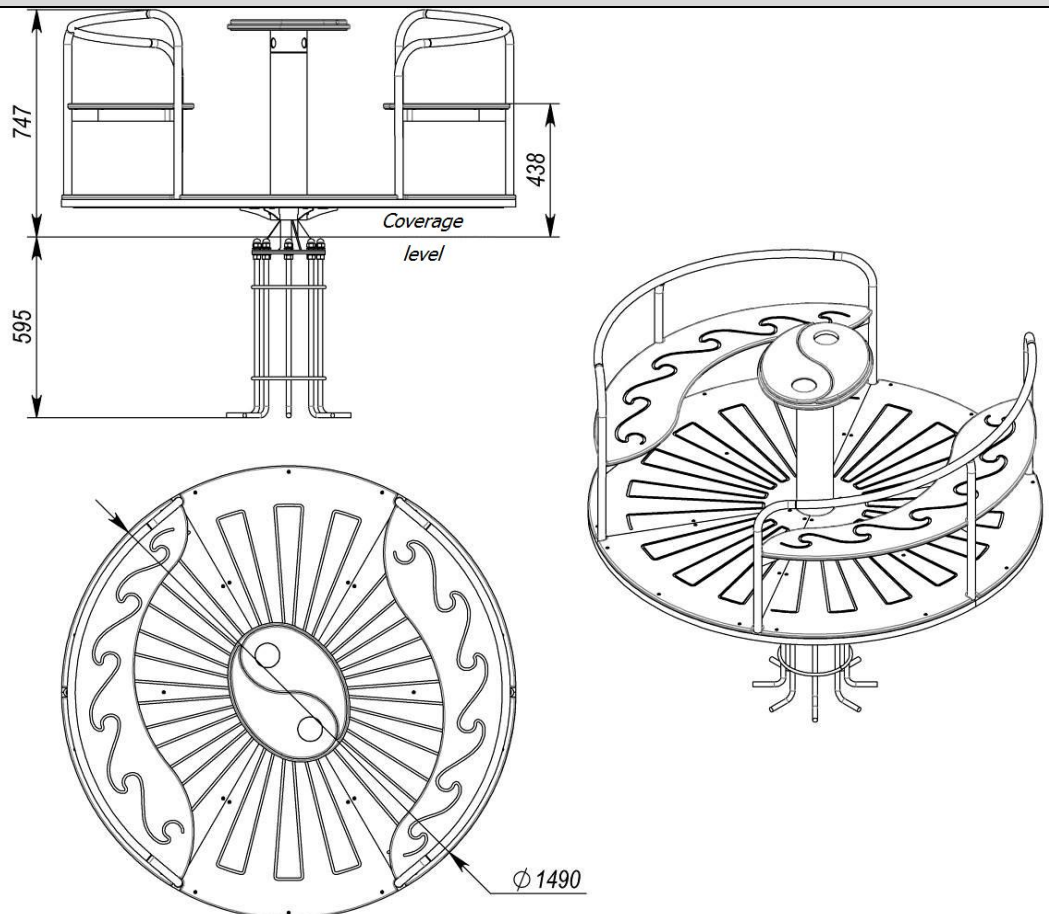
LK485



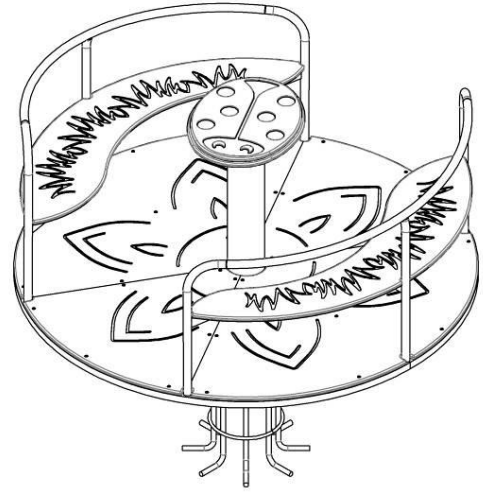
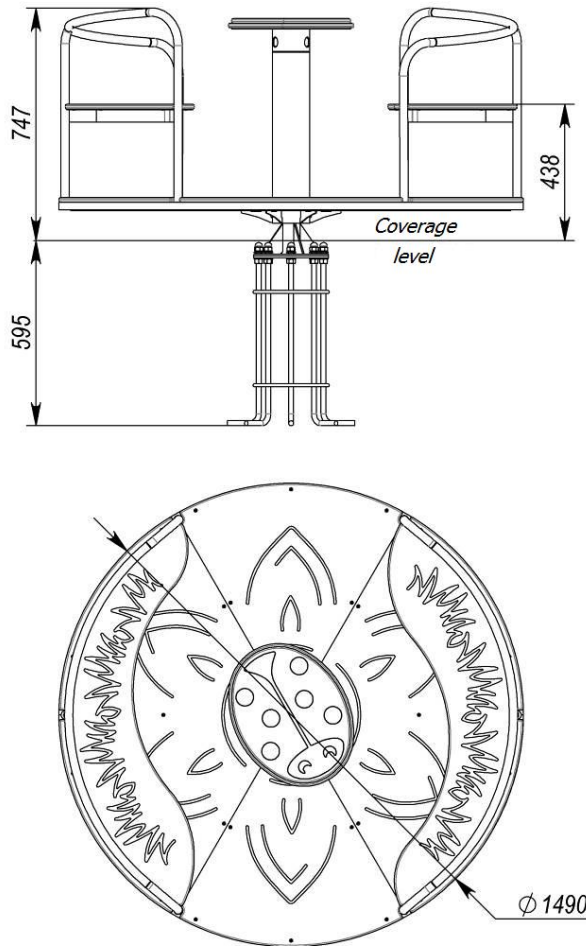
LK485.1



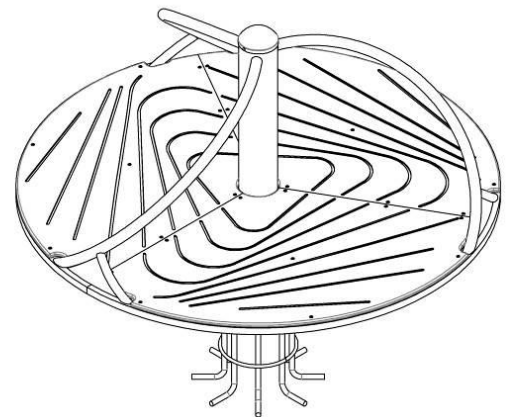
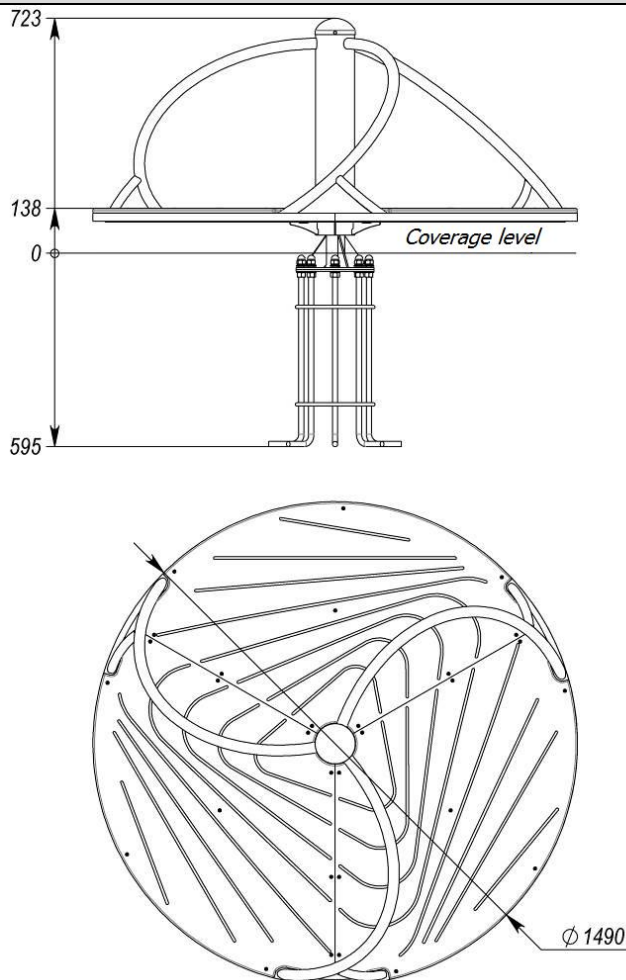
LK486



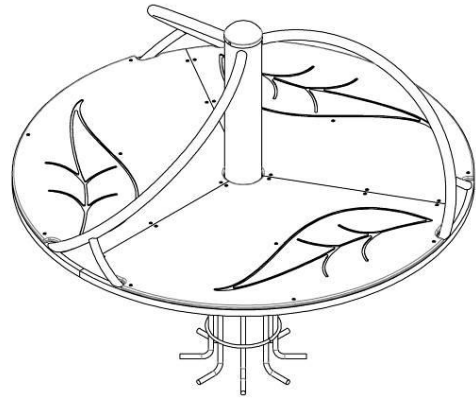
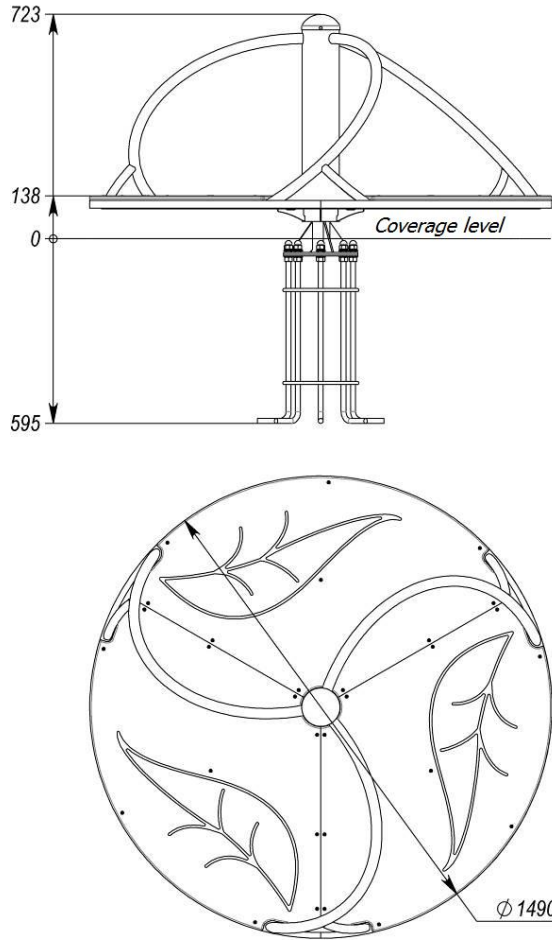
LK486.1



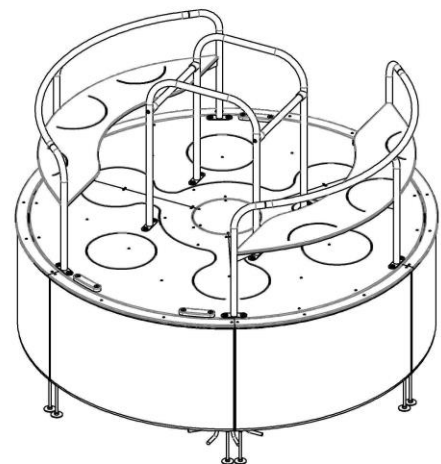
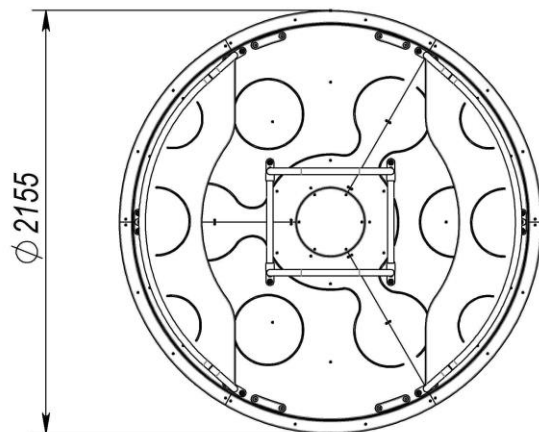
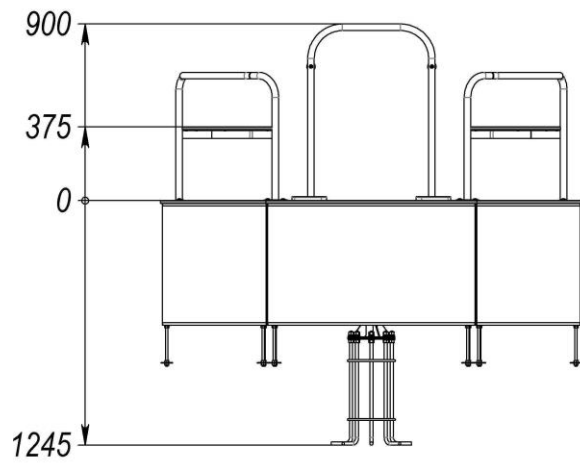
LK487



LK487.1



LK488



LK488.1

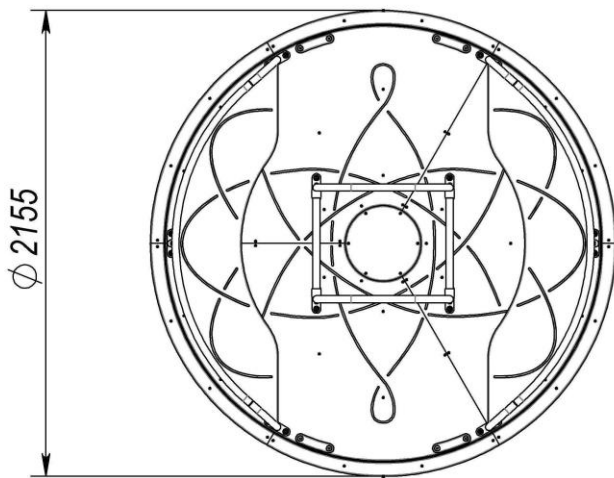
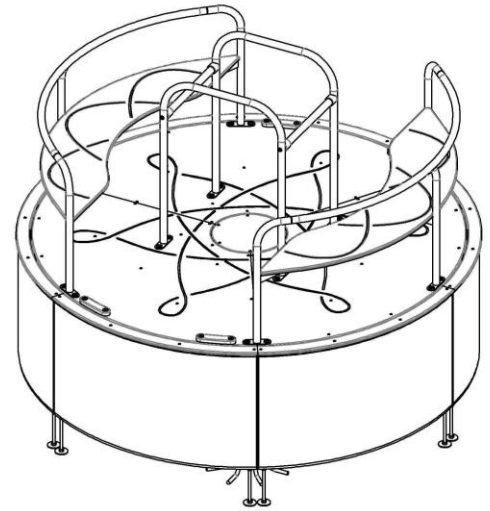
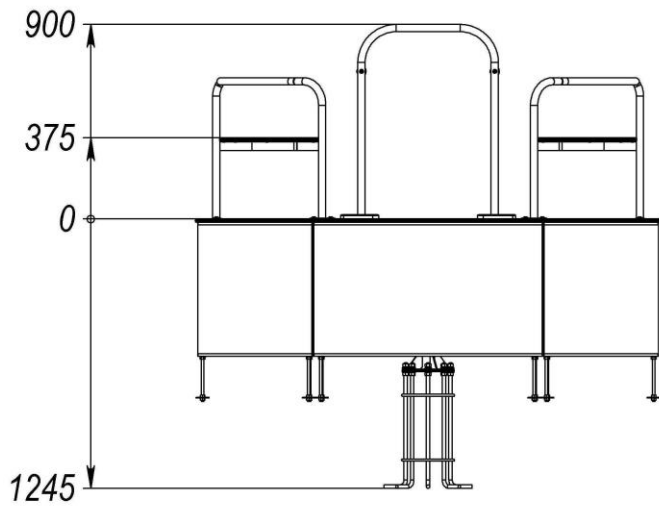
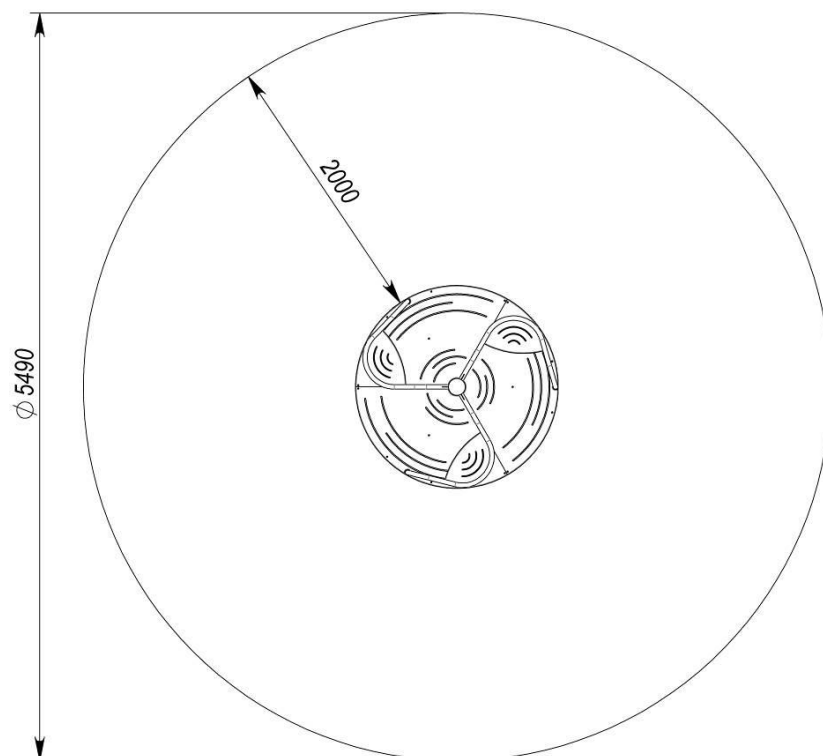
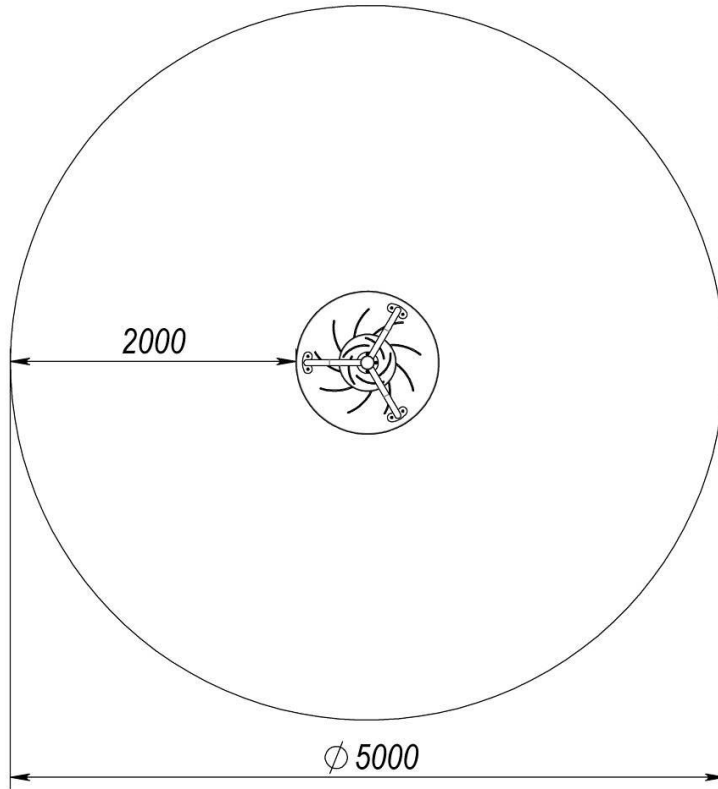


Table №2 – Landing zone:

LK481, LK481-S, LK481.1, LK481.1-S, LK483, LK483.1, LK485, LK485.1, LK486, LK486.1, LK487, LK487.1



LK482



LK484, LK484.1, LK488, LK488.1

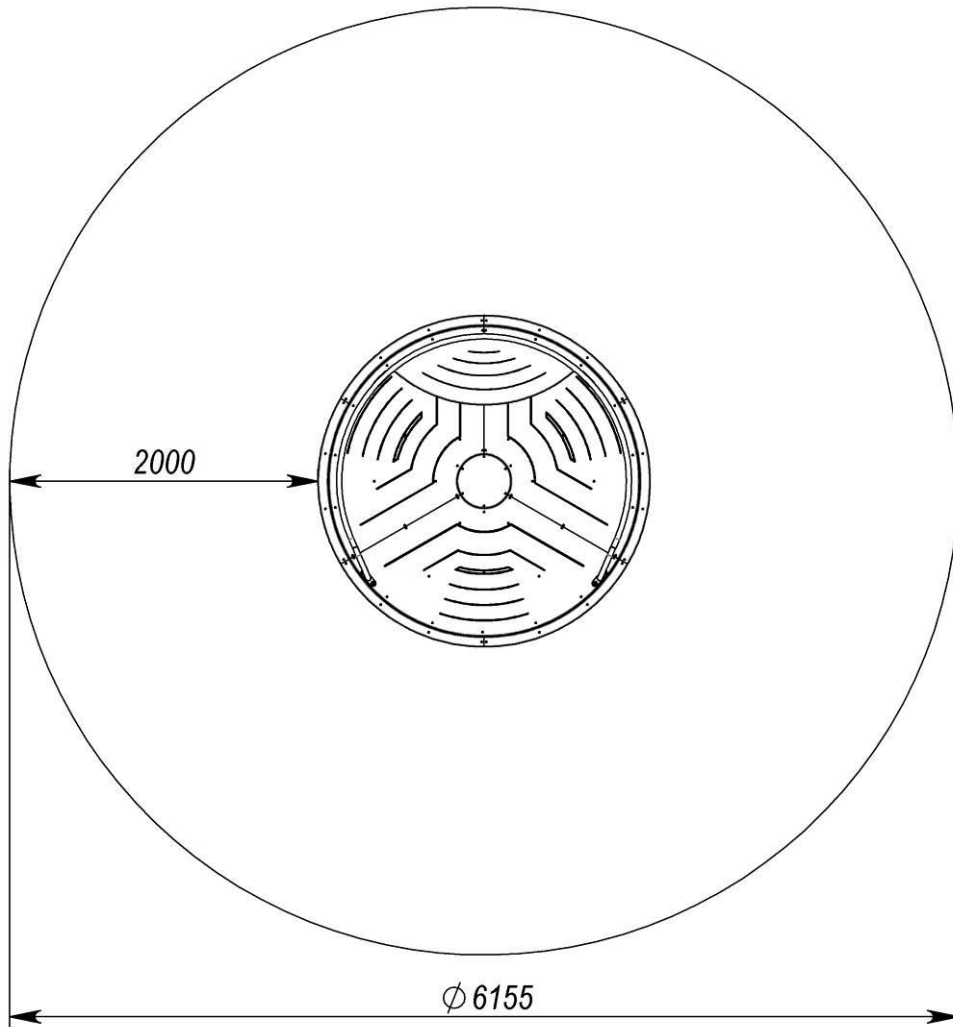
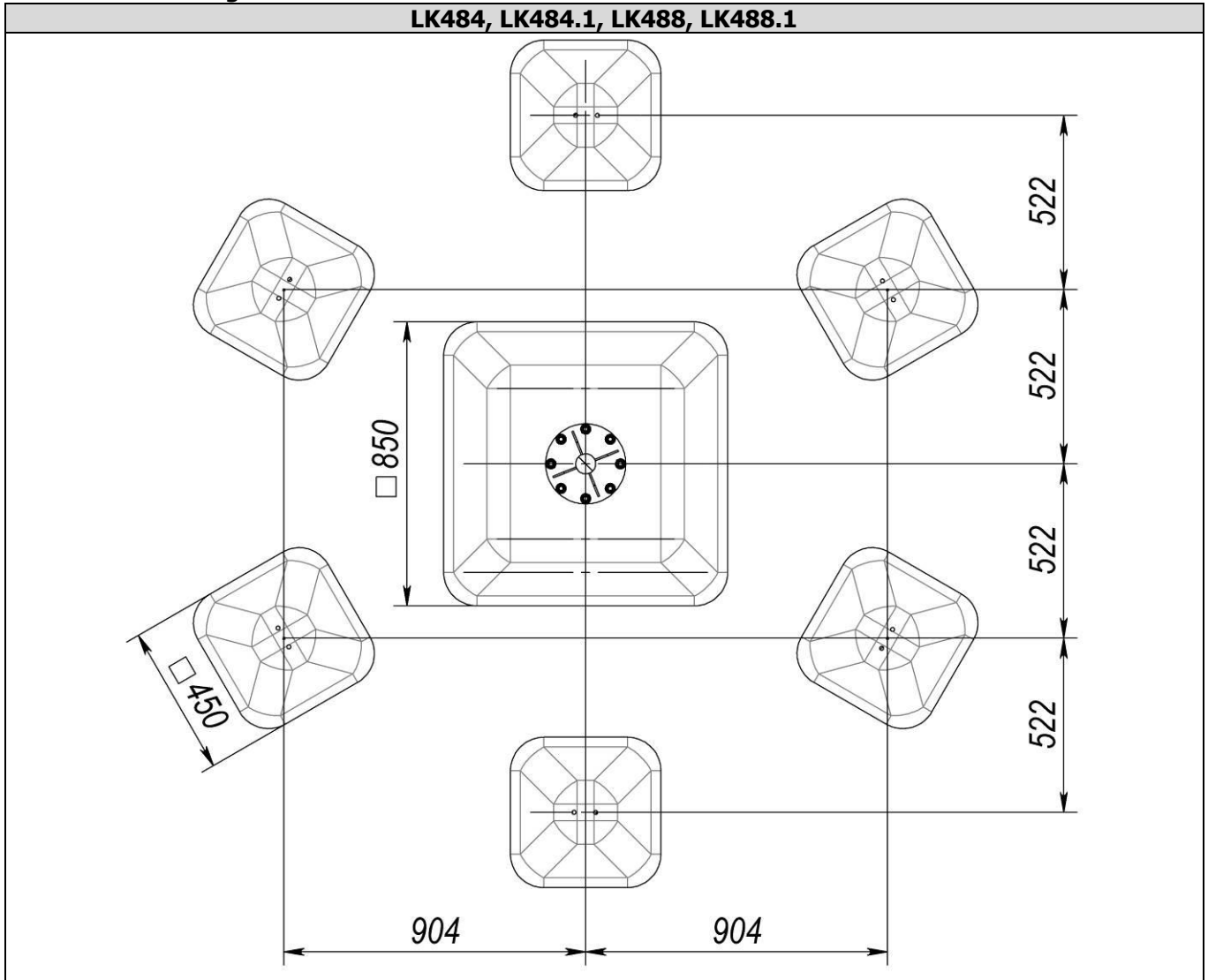
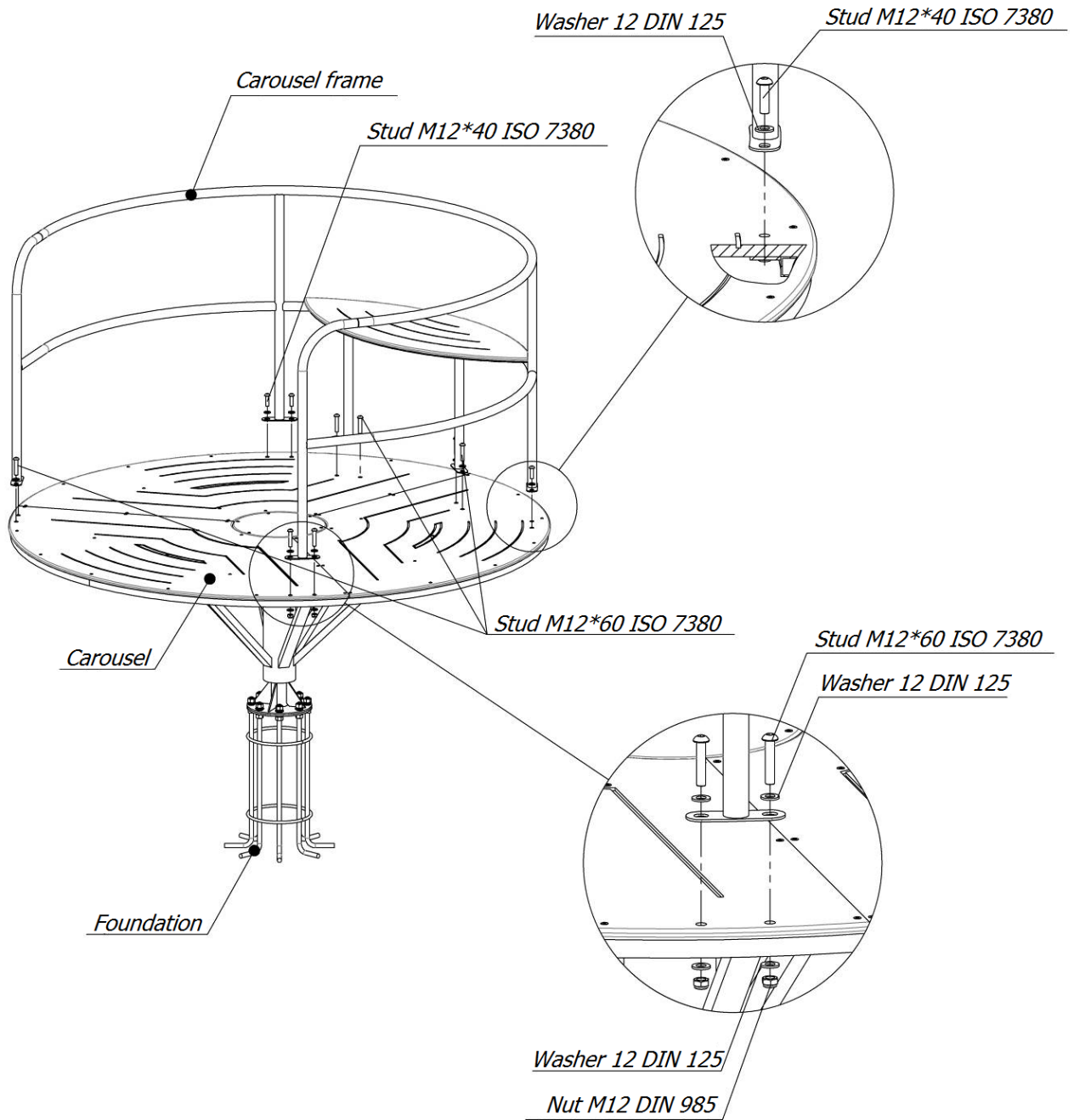
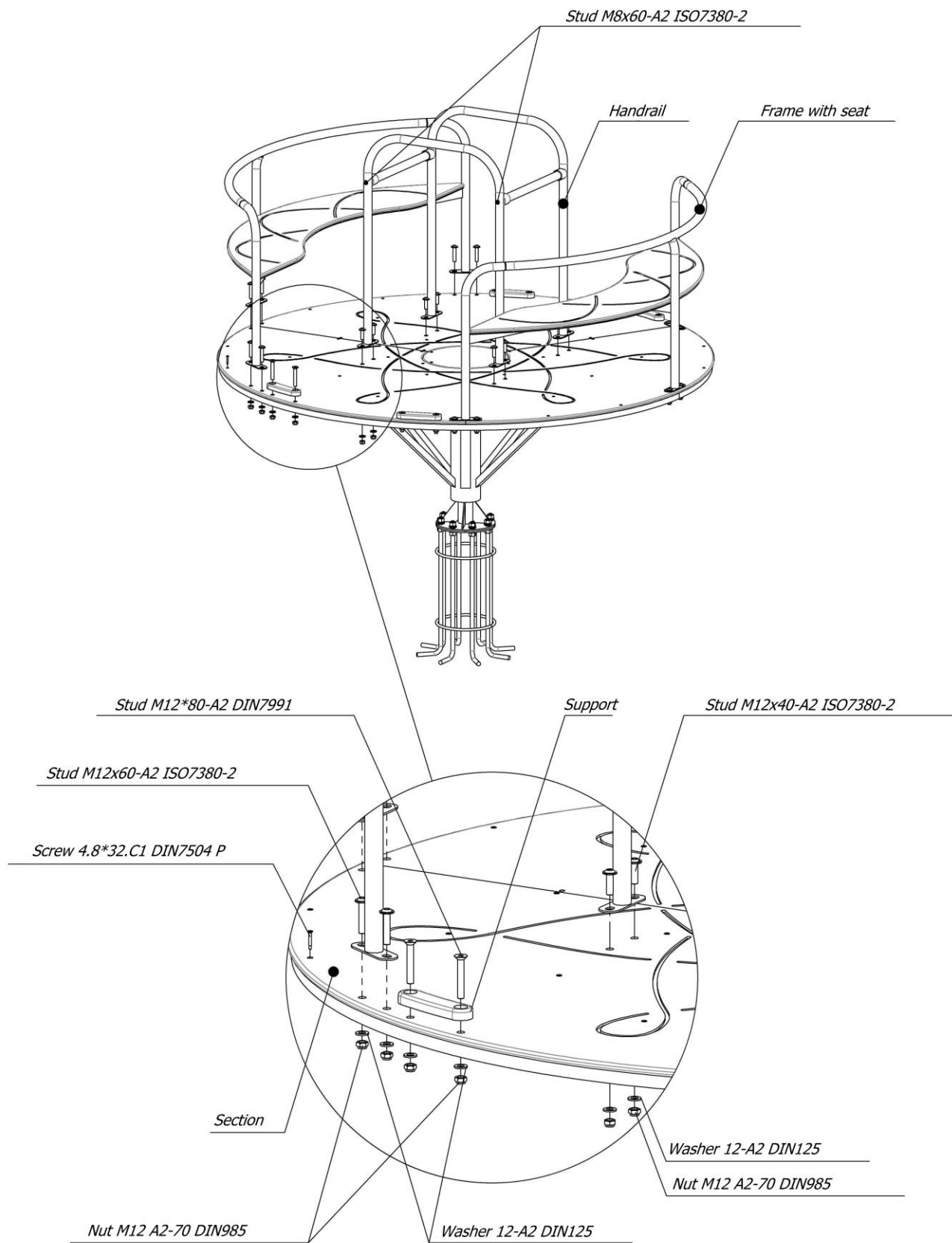


Table N°3 – Concreting zone:

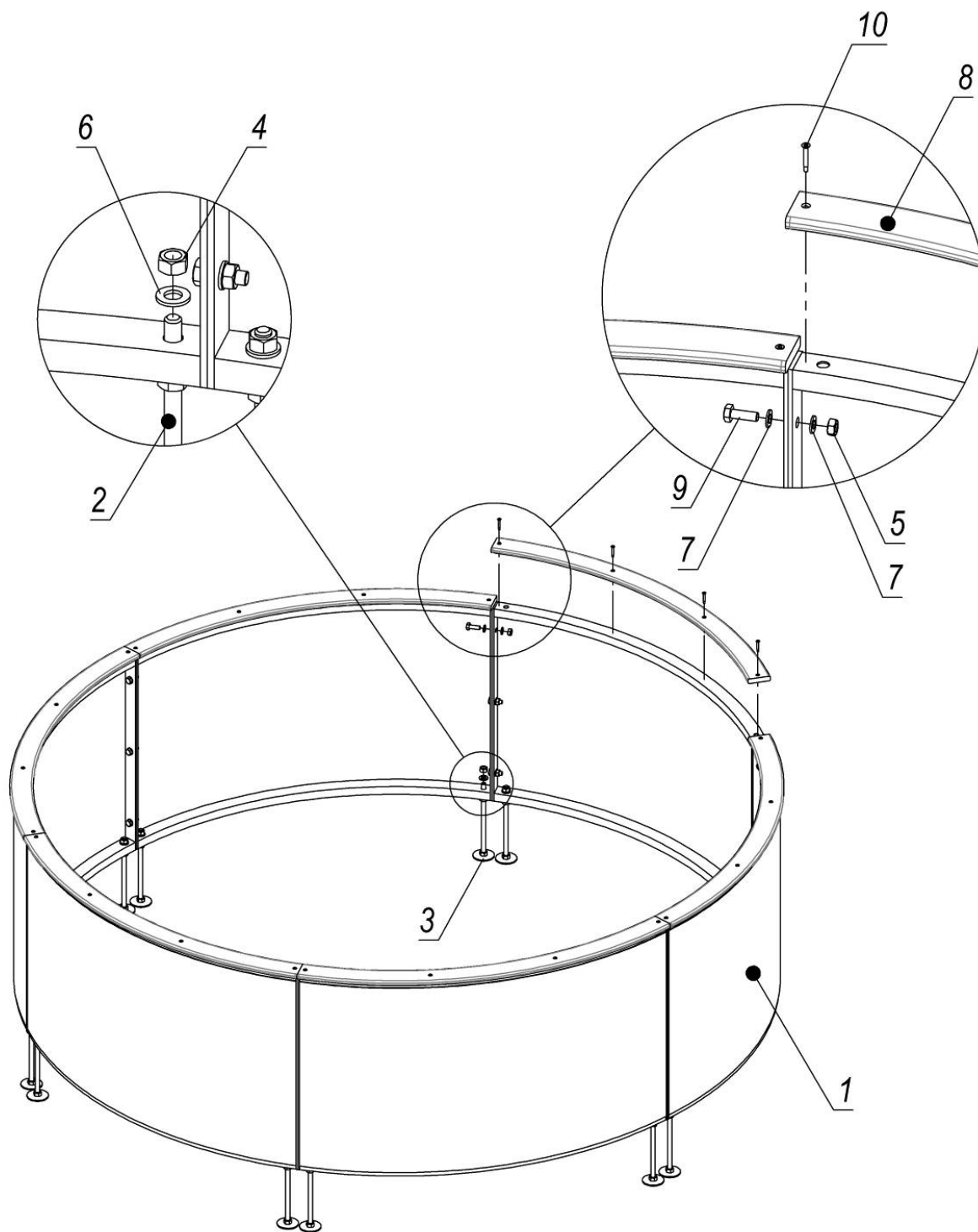




Picture 1 – Assembly scheme of the carousel frame LK484, LK484.1

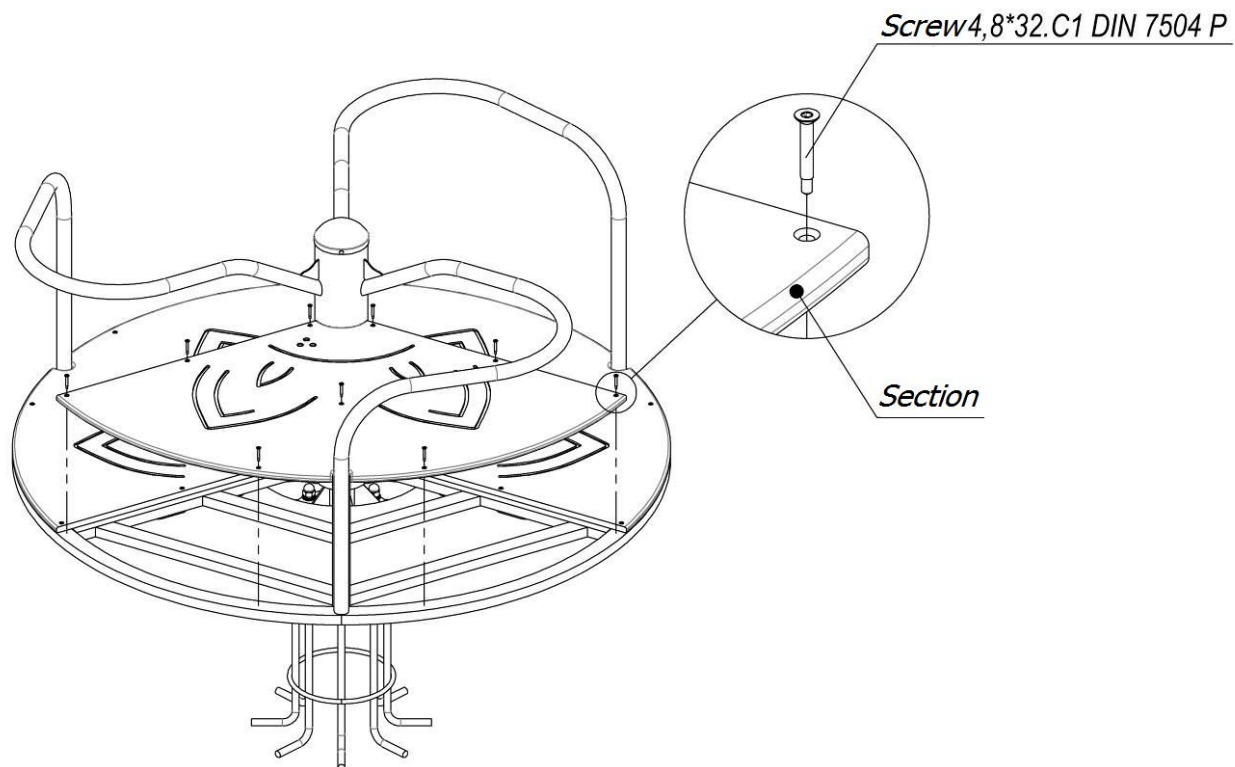


Picture 2 – Assembly scheme of carousel LK488, LK488.1

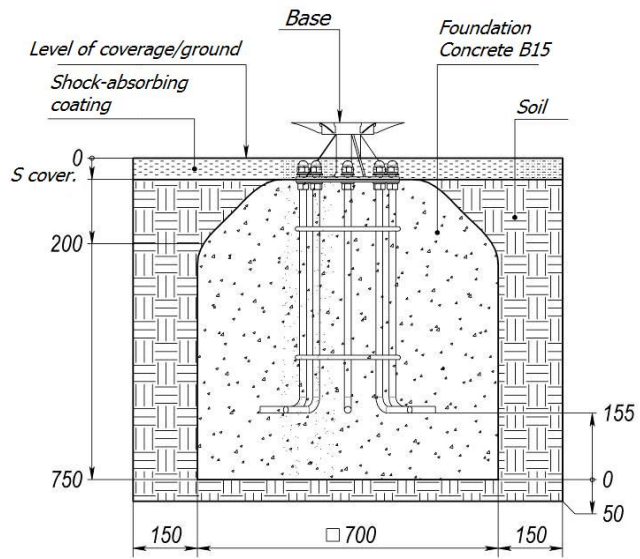


Pos.	Name	Weight, kg	Q-ty
1	Welded section	16	6
2	Sprig M12 L=250 mm		12
3	Washer D60-d13*3 mm		12
4	Nut M12 DIN 934 (hexagonal)		48
5	Nut M10 DIN 934 (hexagonal)		18
6	Washer 12 DIN 125 (flat)		24
7	Washer 10 DIN 125 (flat)		36
8	Cover plate Section		6
9	Bolt M10*30 DIN 933 (full thread)		18
10	Screw 4.8*32.C1 DIN 7504 P (countersunk with drill TX)		24

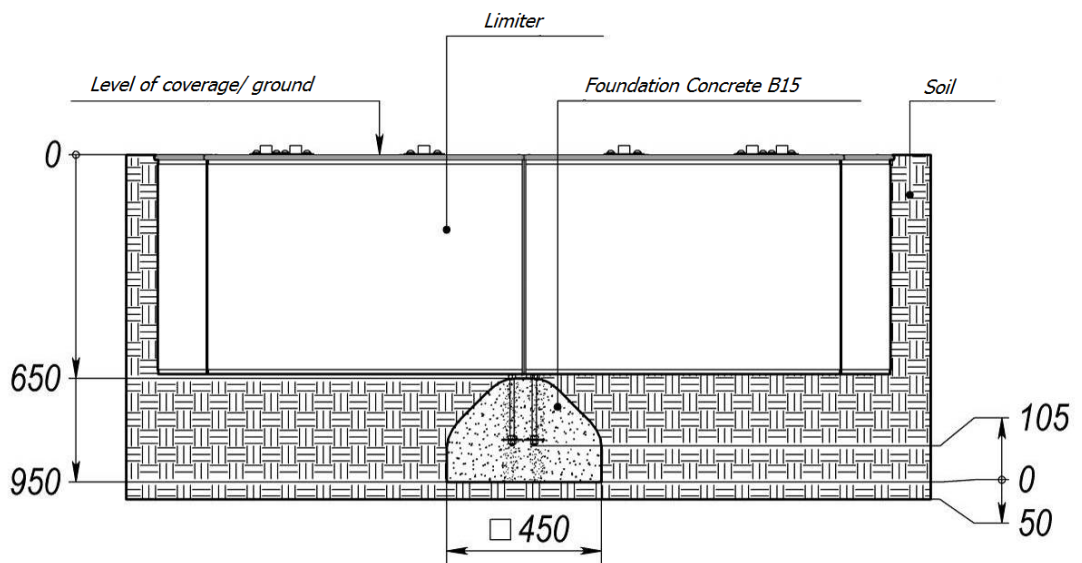
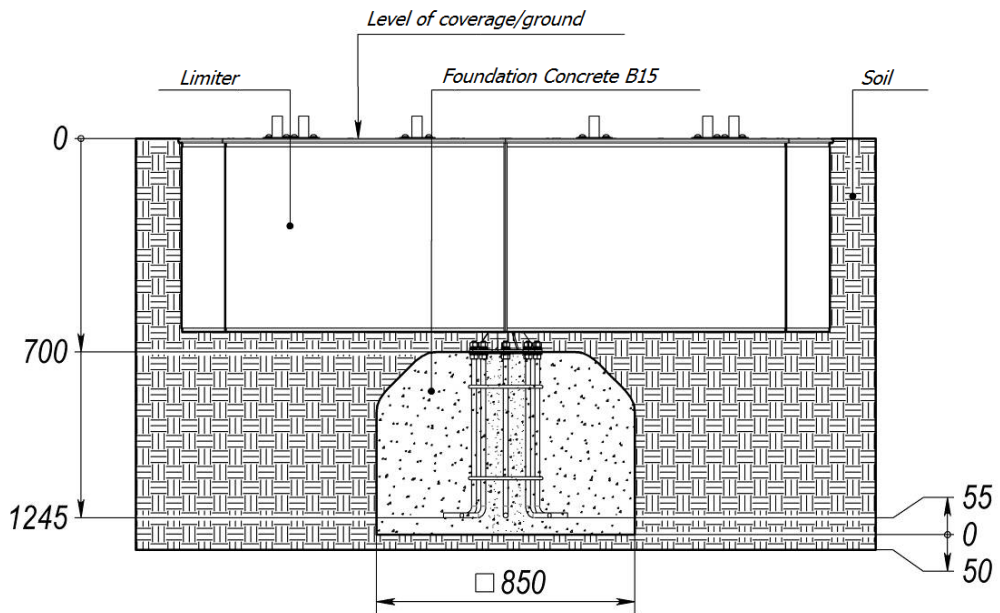
Picture 3 – Assembly scheme of the limiter LK484, LK484.1, LK488, LK488.1



Picture 4 – Assembly scheme of the section for LK481, LK481-S, LK481.1, LK481.1-S, LK483, LK483.1, LK485, LK485.1, LK486, LK486.1, LK487, LK487.1



Picture 5 - Concreting scheme



Picture 6 - Concreting scheme for LK484, LK484.1, LK488, LK488.1

