

Customer support:

+38 095 273 81 53

play.interatletika.com

export.team@interatletika.com

LK318 – Round creativity table

DATA SHEET



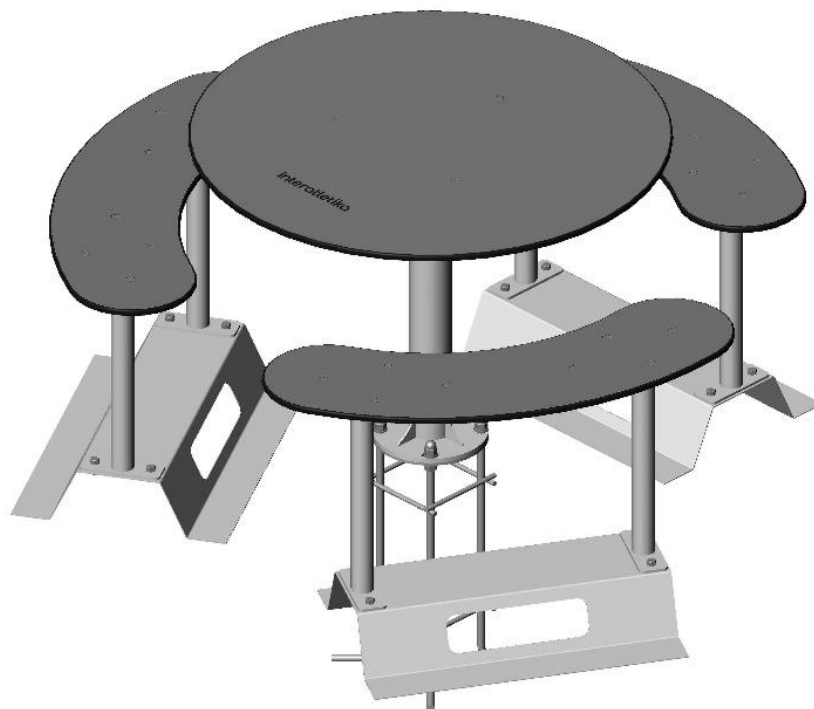
3-7 years



6 kids



0,3 m



Product data

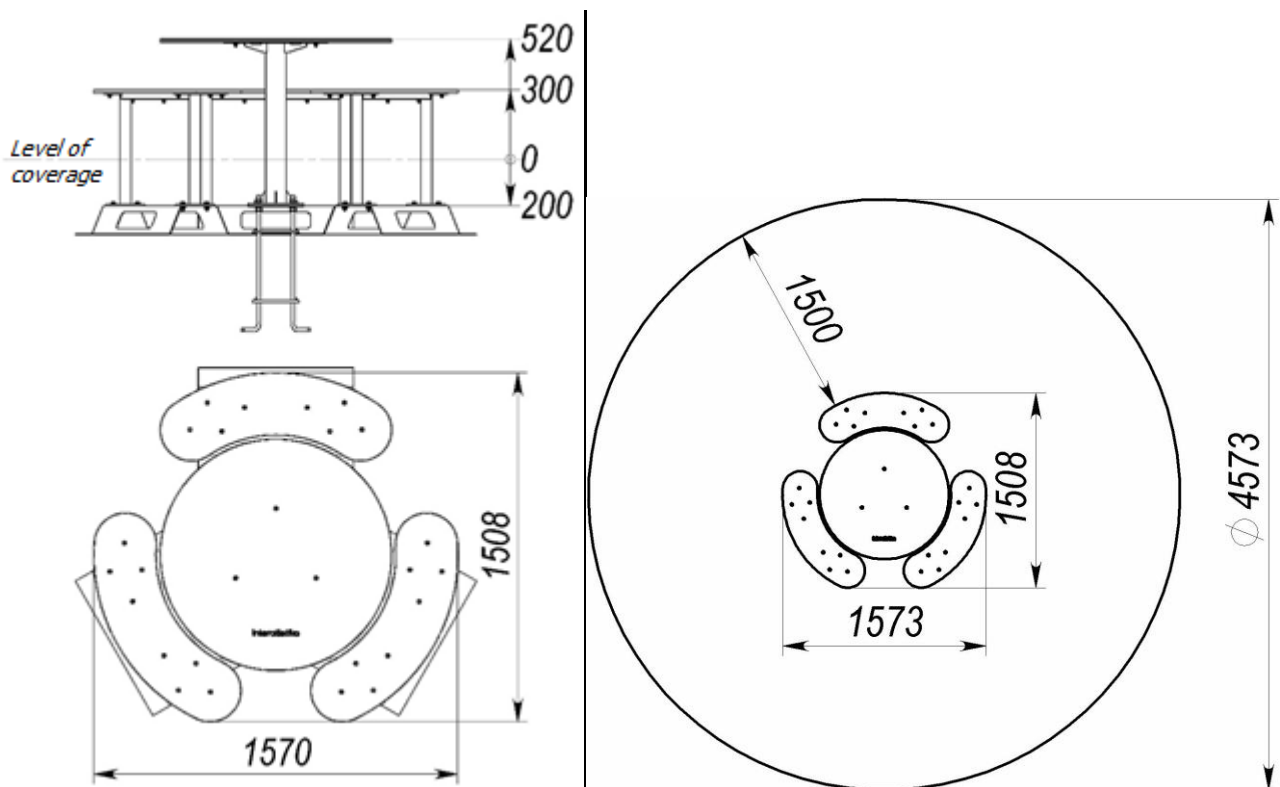
| | |
|-------------------------------|-------|
| ○ Length, cm | 157 |
| ○ Width, cm | 150,8 |
| ○ Height, cm | 52 |
| ○ Total weight, kg | 81,8 |
| ○ Age group, years | 3-7 |
| ○ Number of users | 6 |
| ○ Safety zone, m ² | 21 |
| ○ Height of fall, mm | 300 |
| ○ Height of the platforms, m | 0.3 |

Data can be changed without any notification for the buyer

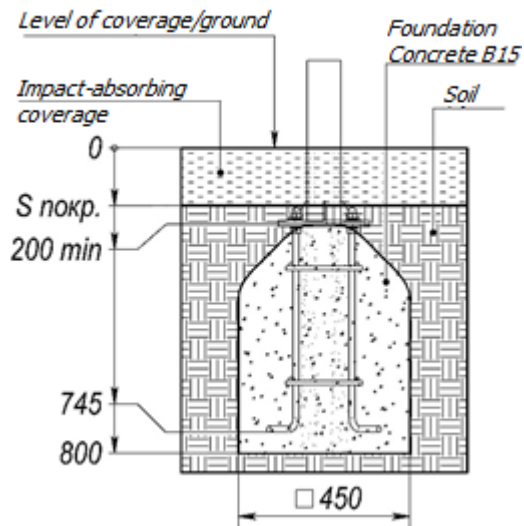
General information

The round creativity table allows you to conduct child development classes, play board games, draw, and socialize children outdoors. The product design is characterized by rounded shapes, comfortable seating, spacious seating areas, and tactilely pleasant materials. The product is ideal for kindergartens, elementary schools, parks, and urban spaces.

Assembly area and landing zone



Anchoring (Concreting, anchor installation)



Examples of impact-absorbing coverage

| Material ¹ | Description | Minimal depth, mm | Height of fall, mm |
|-----------------------|------------------------------------|-------------------|--------------------|
| Turf | | | ≤1000 |
| Tree bark | grain size 20-80 mm | 200 | ≤2000 |
| | | 300 | ≤3000 |
| Sawdust | grain size 5-30 mm | 200 | ≤2000 |
| | | 300 | ≤3000 |
| Sand ² | grain size 0,2-2 mm | 200 | ≤2000 |
| | | 300 | ≤3000 |
| Gravel ² | grain size 2-8 mm | 200 | ≤2000 |
| | | 300 | ≤3000 |
| Other materials | Tested by NIS according to EN 1177 | Under the test | Under the test |

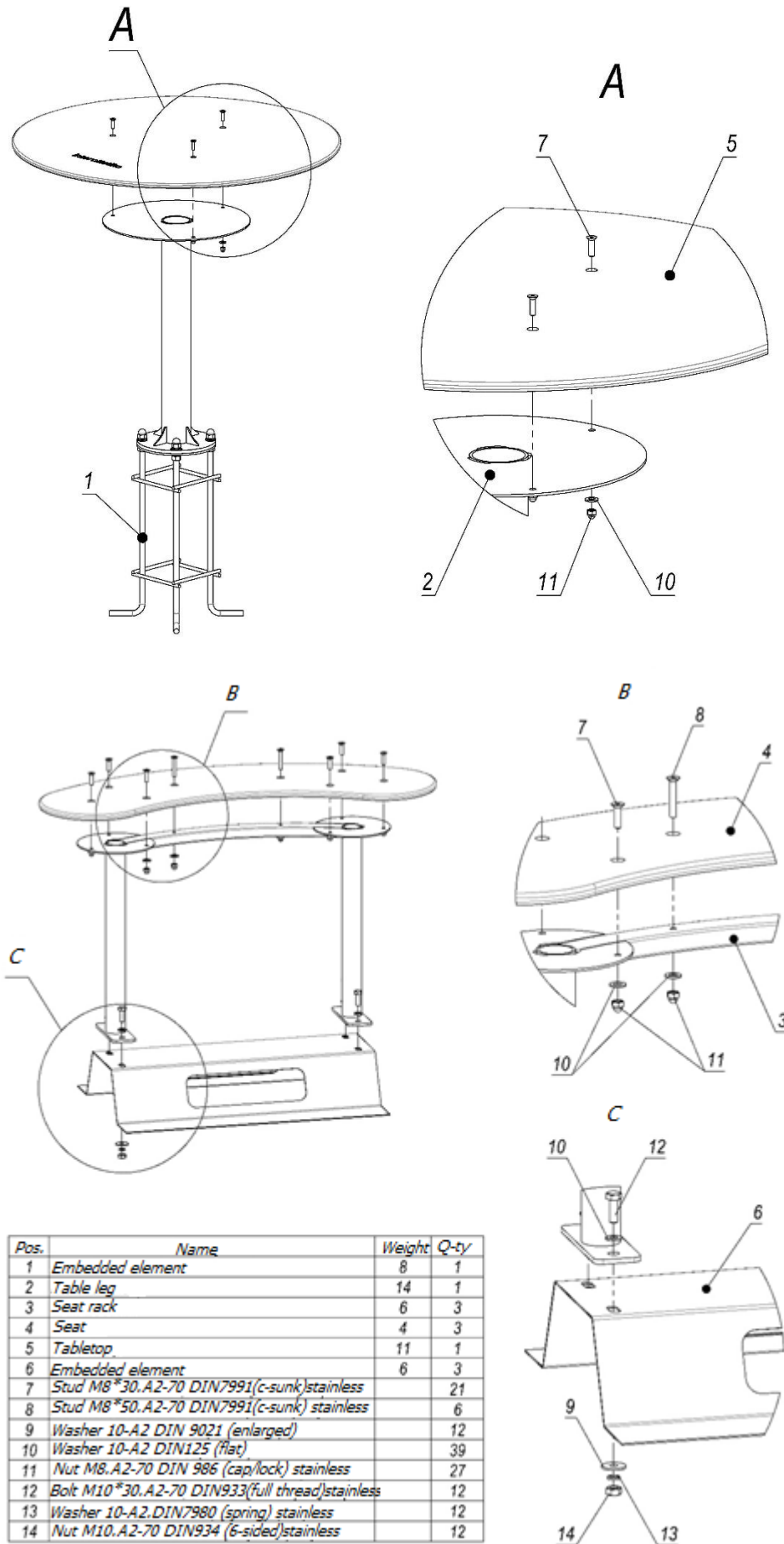
1. Materials specially prepared for playgrounds.
2. Clayish admixture is not allowed. Grain size is gained by separator sift as in EN 933-1.

Operational life:

Product operational life — **60 months.**

Appendix

Assembly scheme



Picture 1