

# interatletika™

PRODUCTION AND SALE OF CHILDREN'S AND OUTDOOR  
EQUIPMENT

Customer support:

☎ +38 095 273 81 53

[play.interatletika.com](http://play.interatletika.com)

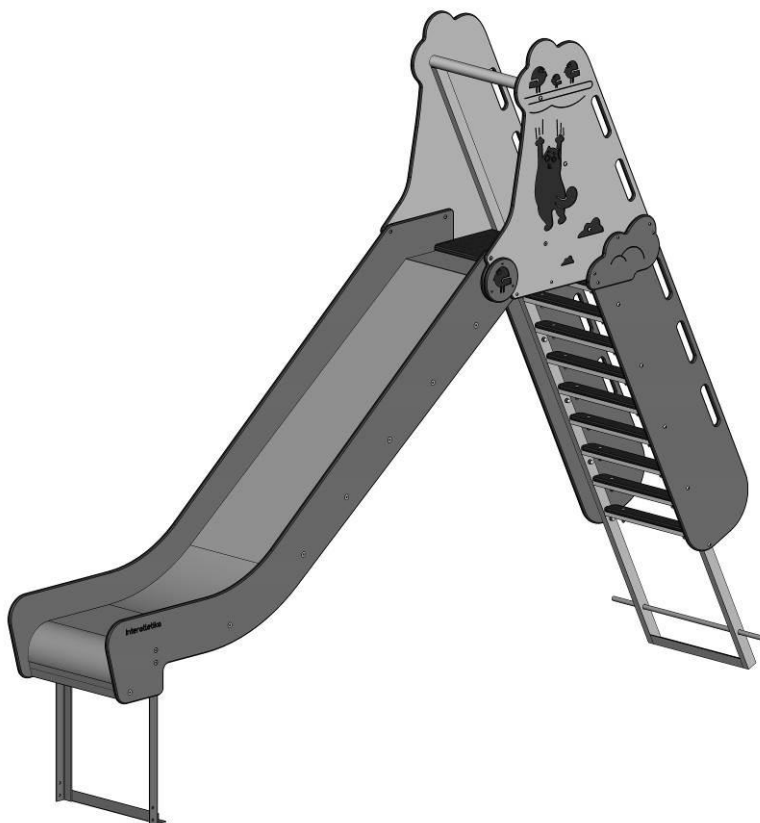
✉ [export.team@interatletika.com](mailto:export.team@interatletika.com)

LK320 - Slide 1,2 m  
LK320-COSMOS - Slide Rocket 1,2 m  
LK320-UKRAINE - Slide Mill 1,2 m  
LK320-VIKINGS - Slide Kraken 1,2 m  
LK321 - Slide 0,7 m  
LK321-COSMOS - Slide Rocket 0,7 m  
LK321-UKRAINE - Slide Mill 0,7 m  
LK321-VIKINGS - Slide Kraken 0,7 m  
LK322 - Slide 1,5 m  
LK322-COSMOS - Slide Rocket 1,5 m  
LK322-UKRAINE - Slide Mill 1,5 m  
LK322-VIKINGS - Slide Kraken 1,5 m

## DATA SHEET



3-7 years





## 1. GENERAL INFORMATION

1.1 Product code \_\_\_\_\_.

1.2 Name \_\_\_\_\_.

1.3 Manufacturer «Company Sporttehnika» LLC, 78, Ivana Mazepy Str., Chernihiv, 14001, Ukraine.

1.4 Serial number and production date: \_\_\_\_\_, «\_\_\_\_» \_\_\_\_\_ 20\_\_ year.

1.5 Produced in accordance with regulatory documents: EN 1176-1:2017+A1:2023.

1.6 The product is designed for children and creates conditions for:

- physical development of the child;

- development of movements coordination, overcoming fear of heights, development of agility and courage, sense of teamwork in team games.

The manufacturer can make changes to the product design to improve its performance, change the design, etc.

This document may not contain a description of such changes, but applies to the following modified products.

## 2. TECHNICAL DATA

Product code	Name	Overall dimensions, mm			Free height of fall, mm	Weight, kg
		Length	Width	Height		
LK320	Slide 1,2 m	3149	554	2067	1227	92
LK320-COSMOS	Slide Rocket 1,2 m	3195	554	2120	1227	94,3
LK320-UKRAINE	Slide Mill 1,2 m	3149	554	2069	1227	92,3
LK320-VIKINGS	Slide Kraken 1,2 m	3149	554	2045	1227	94,6
LK321	Slide 0,7 m	2145	554	1612	772	71,1
LK321-COSMOS	Slide Rocket 0,7 m	2189	554	1665	772	73
LK321-UKRAINE	Slide Mill 0,7 m	2145	554	1614	772	71
LK321-VIKINGS	Slide Kraken 0,7 m	2145	554	1590	772	73
LK322	Slide 1,5 m	3525	554	2305	1468	108
LK322-COSMOS	Slide Rocket 1,5 m	3571	554	2361	1468	110
LK322-UKRAINE	Slide Mill 1,5 m	3525	554	2307	1465	108
LK322-VIKINGS	Slide Kraken 1,5 m	3525	554	2286	1465	73

Age range – from 3 till 7 years; Weight limits – up to 60 kg

## 3. COMPLETE SET

Complete set of the product is given in the «Shipping list» and «List of fasteners», supplied with the product

## 4. INFORMATION ABOUT ACCEPTANCE, PACKAGING AND CONSERVATION

Product \_\_\_\_\_, serial number \_\_\_\_\_ complies with regulatory documents EN 1176-1:2017+A1:2023 and recognised as serviceable.

OTC mark: «\_\_\_\_» \_\_\_\_\_ 20\_\_ year

Date

Full name

P.S.

Packed by «Company Sporttehnika» LLC in accordance with the requirements of regulatory documents.

«\_\_\_\_» \_\_\_\_\_ 20\_\_ year

Date of packing

Packed by \_\_\_\_\_

Full name

Signature

### Information on conservation and deconservation during operation

Conservation date	Conservation method	Conservation period	Deconservation date	Name of the company (organisation)	Position, full name	Signature

## 5. INFORMATION ON STORAGE, TRANSPORT AND DISPOSAL

The product is transported in the manufacturer's packaging by any means of transport that ensures its safety and protection from external factors (rain, snow, sunlight, water, high humidity, etc.).

### Information about transportation

Date		Brand, state number of the ca/trailer	Position, full name	Signature
Departure	Arrival			

Before installation, store the product in the original packaging in dry, closed rooms with natural air ventilation.

If it is necessary to transport the product to another location after use, it is recommended to use the manufacturer's packaging.

If long-term storage of the product is required, the following storage rules must be observed (the list of

conditions is not complete):

- place the product in a closed dry room with natural ventilation;
  - protect the product from external factors (dust, water drops, etc.) with a large plastic bag, leaving space for free air circulation;
  - take other measures to preserve the appearance and characteristics of the product during storage.
- When removing the product from storage and preparing for installation, follow the next recommendations:
- remove the product from the packaging material (polyethylene, cardboard, other packaging materials);
  - remove dust and other contaminants from the surface of the product;
  - check completeness and absence of parts damage.

#### **Information about storage**

Date		Product storage conditions	Full name	Signature
Putting into storage	Removal from storage			

After the end of the equipment's service life, the buyer independently determines the procedure for its use. If you decide to recycle, contact the seller or specialized organizations.

The equipment does not contain harmful impurities and materials that can harm your health and is not subject to special recycling.

## **6. INSPECTION AND CHECKING**

Equipment must be regularly inspected and checked to ensure safe operation. Inspections consist of a detailed examination of the surfaces of the site and checking the serviceability and reliability of the equipment. Particular attention is paid to moving parts subject to friction.

The inspection of equipment is carried out by the enterprise, institution, or organization regardless of the form of ownership, which is the owner of the equipment/site. The types of inspections and the frequency of their conduct are determined by the owner of the equipment.

Recommended types of inspections and verification:

- REGULAR INSPECTION (recommended to be done every day) – visual inspection to identify obvious hazards that may result from vandalism, improper operation, or natural conditions.

- FUNCTIONAL INSPECTION (recommended to be done every 1-3 months) – involves a detailed visual inspection of the condition of the equipment: cleanliness and appearance of surfaces; absence of malfunctions/defects in components; presence of excessive wear or cracks; verification of structural integrity and stability of the structure.

- ANNUAL INSPECTION (once or twice a year) – visual and operational assessment of equipment condition: wear and tear of surfaces and mechanisms; presence of corrosion and rot; strength of connections between elements and absence of malfunctions; integrity of the structure and foundation; pay special attention to hidden and inaccessible parts, which may require disassembly of some components.

- EXTRAORDINARY INSPECTION - are carried out after acts of vandalism, natural disasters, and other unforeseen circumstances that may cause damage.

The buyer (or responsible person) is responsible for ensuring that inspections and maintenance of the equipment are carried out in a timely manner.

The frequency of inspections and checks may be reduced and adjusted according to the necessary requirements for playgrounds with high intensity of use, located in particularly difficult climatic conditions and closer than 1.5 km from the sea.

## **7. TECHNICAL MAINTENANCE**

Equipment maintenance is carried out to ensure an adequate level of safety, reliability, and efficiency of its operation:

- checking the fastening elements;
- replacing fasteners;
- repainting and painting surfaces (for example, after the winter and summer periods);
- maintenance of shock-absorbing surfaces;
- lubrication of bearings;
- removal of broken glass and other debris or dirt;
- refilling of trampled surfaces;
- cleaning, washing, and wiping of equipment down to the smallest details;
- maintenance of fences in proper condition.

If the technical condition of the equipment is unsafe, visitors must be prohibited from entering.

Replacement of elements or parts of the structure that may lead to unsafe operation of the equipment may only be carried out after consultation with the manufacturer. Repair work during operation of the site is not recommended due to the possibility of injury to users.

All work carried out to ensure the safe operation of the equipment must be recorded in the maintenance log in the prescribed form.

### Record of maintenance

Date and type of inspection	Name of the work done	Remarks on the technical condition	Position, full name, signature of the responsible person

### 8. REPAIR AND RECORDING OF FAULTS

Replace all defective components with parts from the manufacturer.

It is forbidden to manufacture and replace components and parts of the equipment independently.

#### Recording malfunctions during operation

Date of failure of the product, its component part or structural element	Nature (external manifestation) of the malfunction	Corrective actions taken	Position, full name, signature of the responsible person

#### Information about repair

Name of a component or structural element	The reason for the repair	Date		Name of the organisation, position, full name, signature of the person who performed the repair
		Put for repair	Out of repair	

### 9. INSTRUCTION FOR SAFE USE

**WARNING! Children are allowed on the equipment only under adult control.**

Before operating the product, conduct a visual inspection, check the fasteners and structural strength.

The equipment is used on the playgrounds without constant supervision by operating personnel. In order to ensure the safe operation of the product, the owner must conduct a daily visual inspection. If malfunctions are detected during the inspection, they must be immediately eliminated, and if this is not possible, the equipment must be closed for users.

No foreign particles, sharp objects or jogs are allowed at the playground.

Under playground equipment with a free height of fall of more than 600 mm, an impact-absorbing coating must be provided over the entire fall zone.

#### Examples of impact-absorbing coating

Material	Description	Minimal depth, mm <sup>a</sup>	Height of fall, mm
Grass	-	-	≤1000
Bark	grain size 20-80 mm	200	≤2000
		300	≤3000
Woodchip	grain size 5-30 mm	200	≤2000
		300	≤3000
Sand or gravel <sup>b</sup>	grain size 0,25-8 mm	200	≤2000
		300	≤3000
Other materials and materials of other depth <sup>c</sup>	Determination during testing in accordance with EN 1177		Critical height of fall obtained during testing

a. For loose granular material, add 100 mm to the minimum thickness.

b. Rounded particles without silt and clay inclusions.

c. Grain size is obtained by sieving through a sieve in accordance with DSTU EN933-1.

**WARNING! Operating the product without an impact-absorbing coating may result to serious injury during falling down.**

Playground surface materials with low impact-absorbing features should only be used outside the fall zone.

**Product use:**

- it is recommended to show or tell children how to use the equipment;
- during use it is recommended to hold onto handrails, railings, handles;
- it is forbidden to use until the completion of its full and final installation;
- it is forbidden to use by users of a different age and weight category;
- before using clear the surface from foreign objects, sharp elements, protrusions;

- it is forbidden to move the product elements which are not intended for this;
- do not use in difficult weather conditions (ice, snow, rain, hail, strong wind, etc.), in which there is a possibility of injury to the child.

**The manufacturer is not responsible for the consequences:**

- poor quality and improper installation of the product;
- use of low-quality materials and inadequate qualifications of personnel during installation of the product;
  
- use of the product earlier than the period necessary to fix the product in the soil or other material;
- design changes to the product that caused injury;
- lack of proper adult control;
- violation of age and weight restrictions by users;
- damage to the product due to improper storage, installation or use of the product for purposes other than those intended.

## **10. INSTALLATION INSTRUCTION**

Installation of the product can be carried out by the manufacturer, service centre or other legal entities and individuals who have the necessary material and technical base and qualifications.

The product is installed on a prepared flat area, free from debris, trees and other obstacles that interfere with installation (when installed in winter, the area shall be additionally free from snow). The required size of the site is determined by the fall zone of the equipment. When installing in winter on natural ground, it is recommended to choose a site with compacted soil in the area of foundation placement.

The height difference of the prepared site should be:

- a) no more than 50 mm for natural substrates, including substrates with subsequent shock-absorbing coating.
- b) no more than 10 mm for hard substrates (asphalt, concrete), including substrates with subsequent application of a synthetic protective coating.

Before starting the installation, you must:

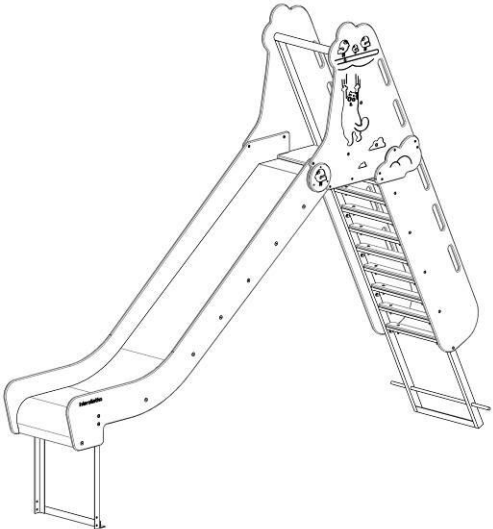
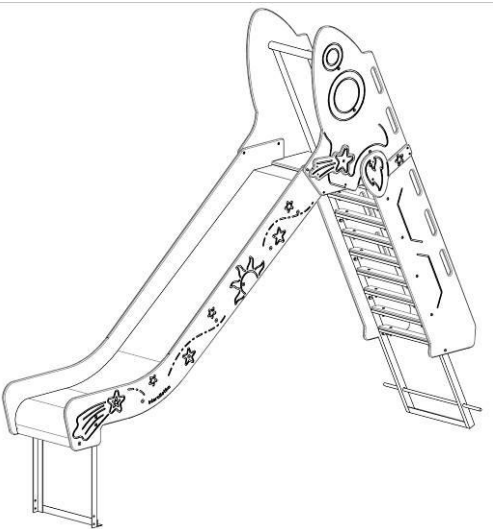
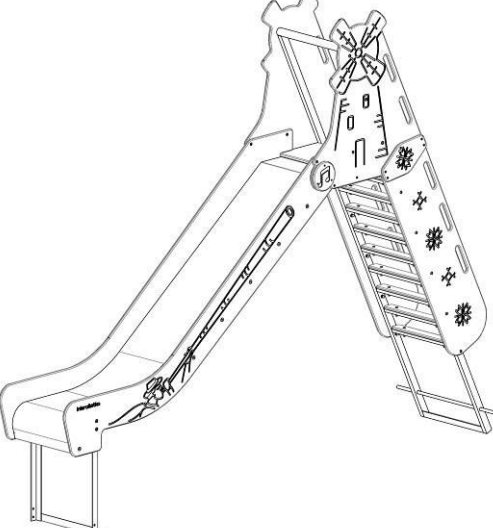
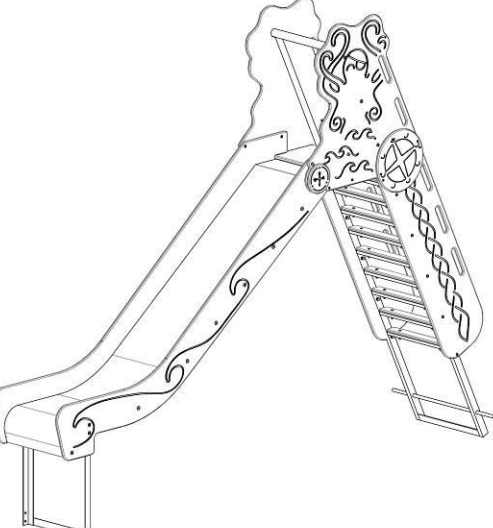

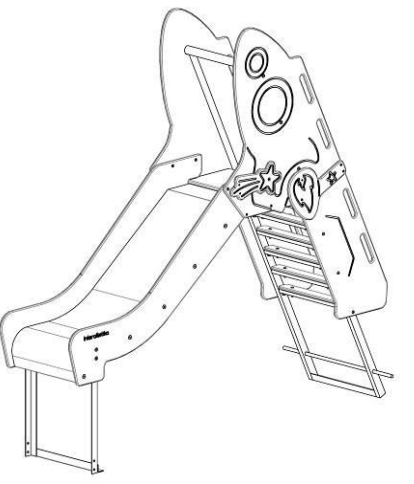
- study the documentation supplied with the product;
- check the completeness in accordance with the documents supplied with the product;
- remove the original packaging from the component part;
- comply with safety requirements.

It is recommended to assemble the product in the order specified in the "Assembly schemes" section.

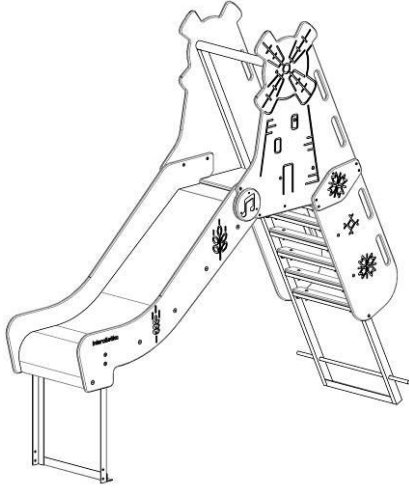
After completion of installation work and equipment installation, it must be checked for safety, functionality and assembly. Equipment that has not been approved for use must be subject to appropriate and necessary precautions before being put into operation.

**WARNING! The presence and participation of children during the installation of the product is not allowed. The equipment must not be accessible for unauthorized persons until full completion of installation work.**

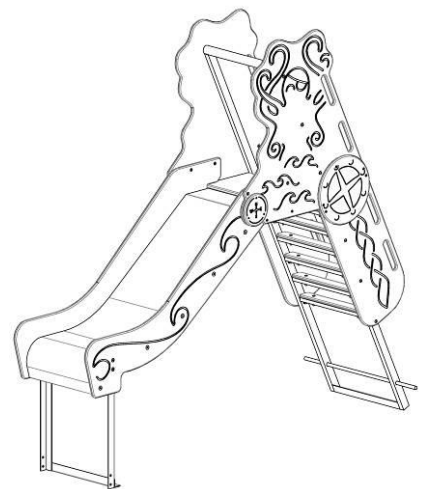
**Table №1 – General view:**

<b>LK320</b>	<b>LK320-COSMOS</b>
	
<b>LK320-UKRAINE</b>	<b>LK320-VIKINGS</b>
	
<b>LK321</b>	<b>LK321-COSMOS</b>
	

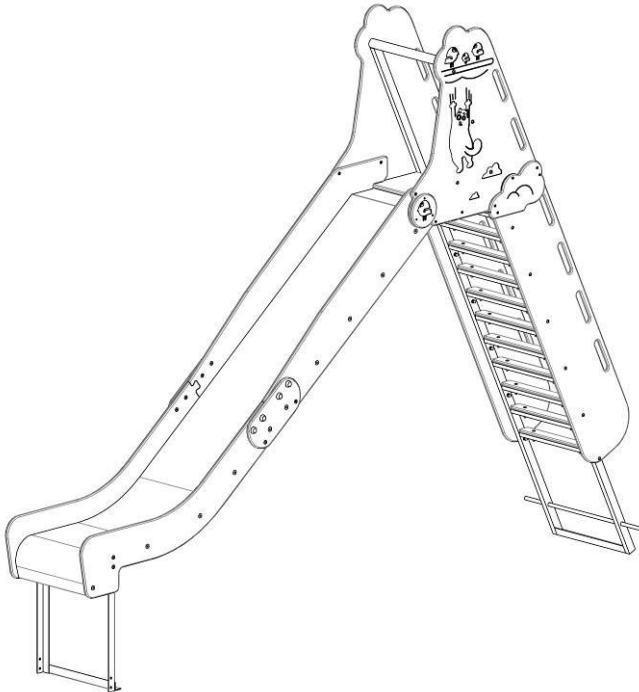
**LK321-UKRAINE**



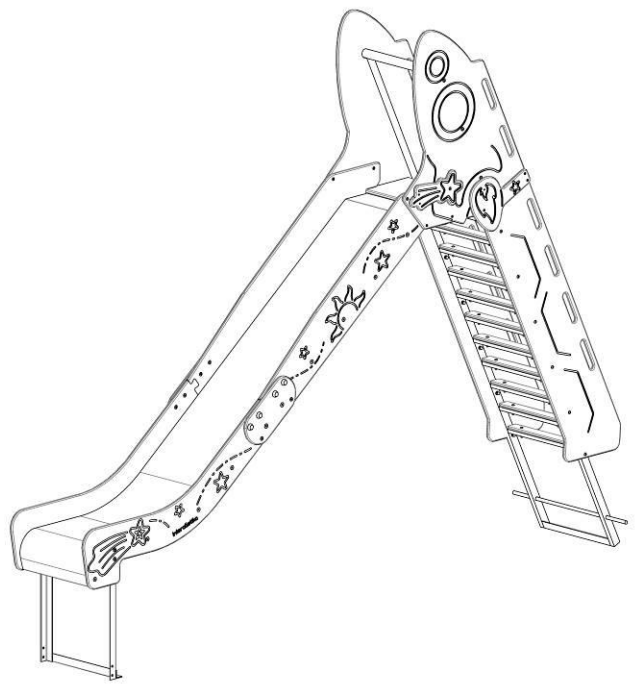
**LK321-VIKINGS**



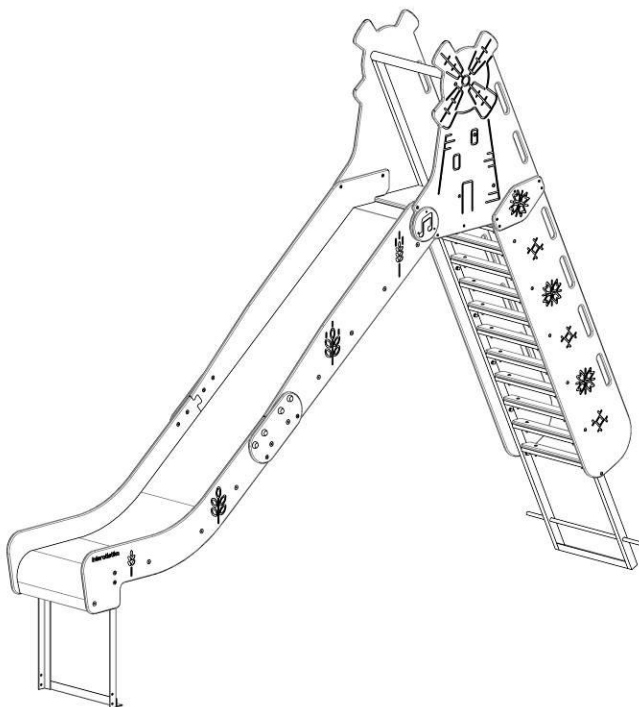
**LK322**



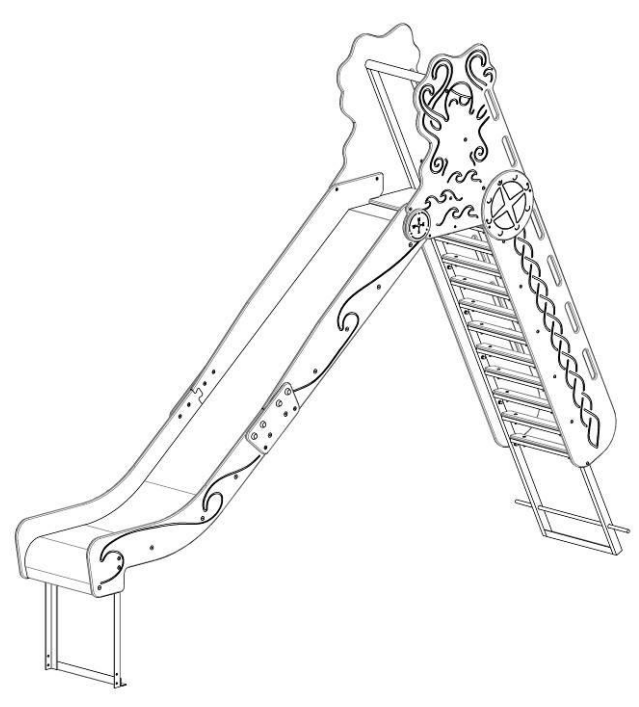
**LK322-COSMOS**



**LK322-UKRAINE**

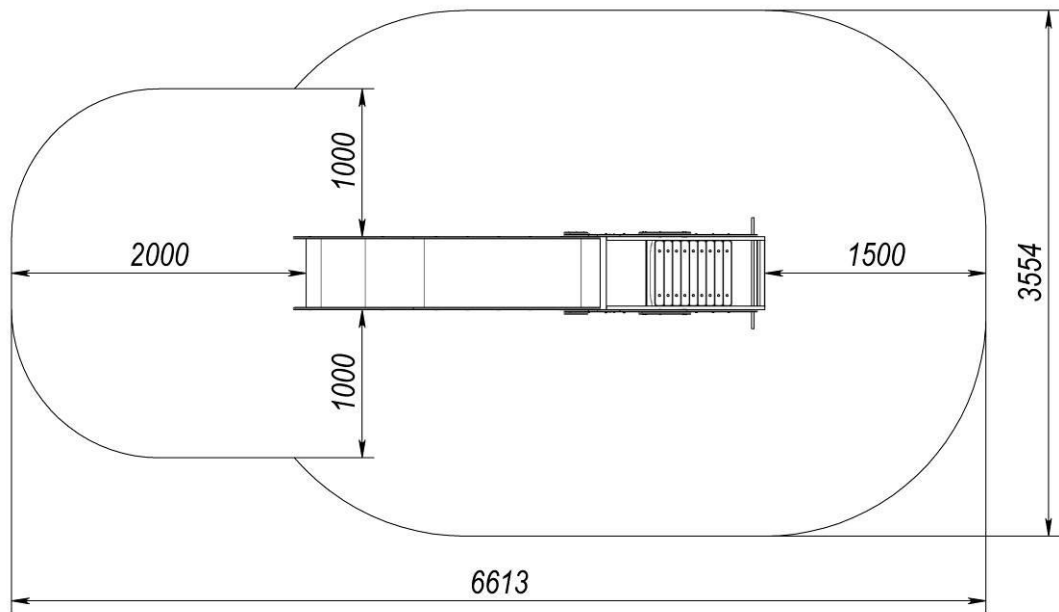


**LK322-VIKINGS**

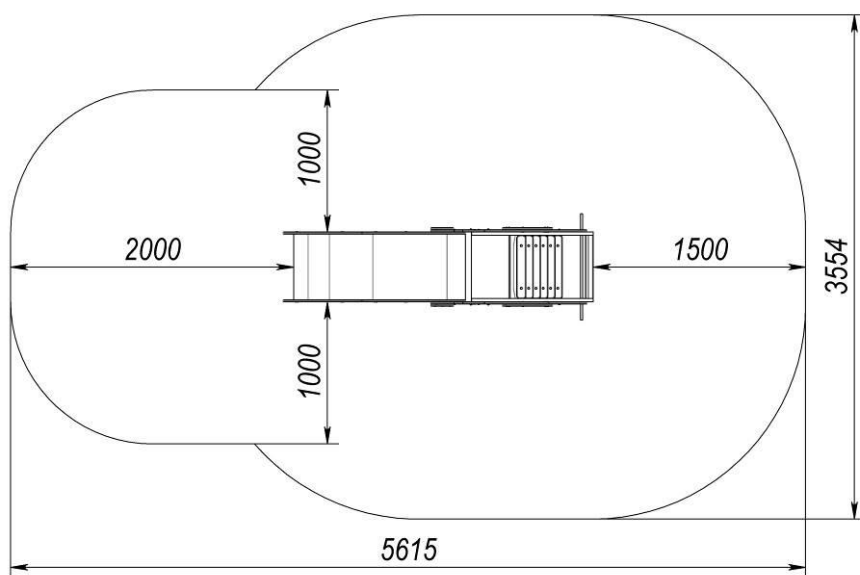


**Table №2 – Landing zone:**

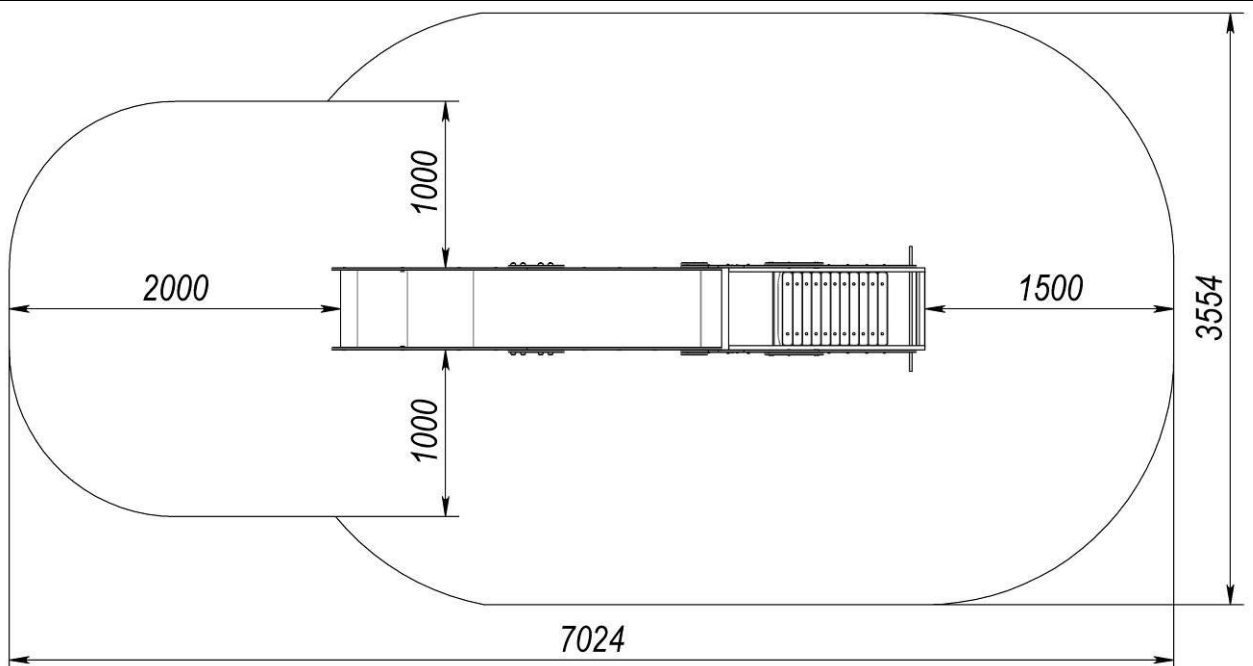
**LK320, LK320-COSMOS, LK320-UKRAINE, LK320-VIKINGS**



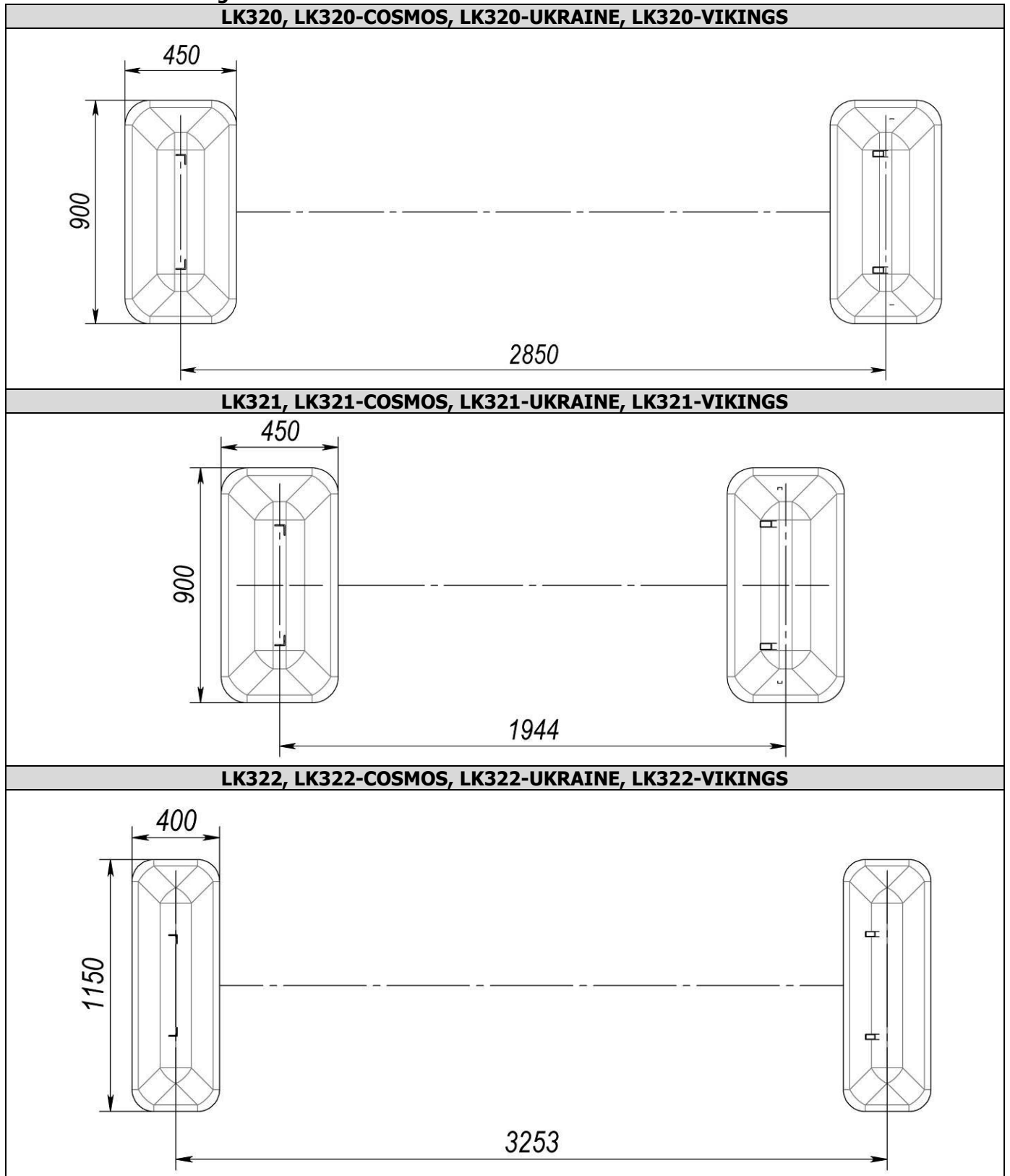
**LK321, LK321-COSMOS, LK321-UKRAINE, LK321-VIKINGS**



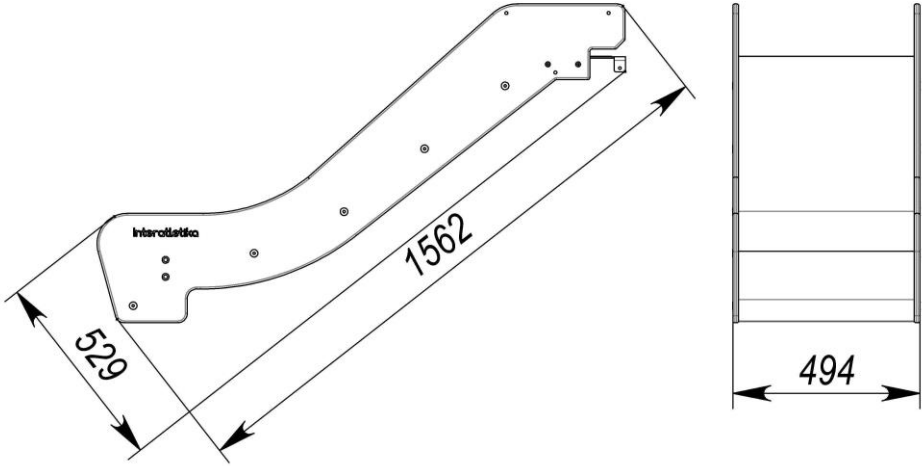
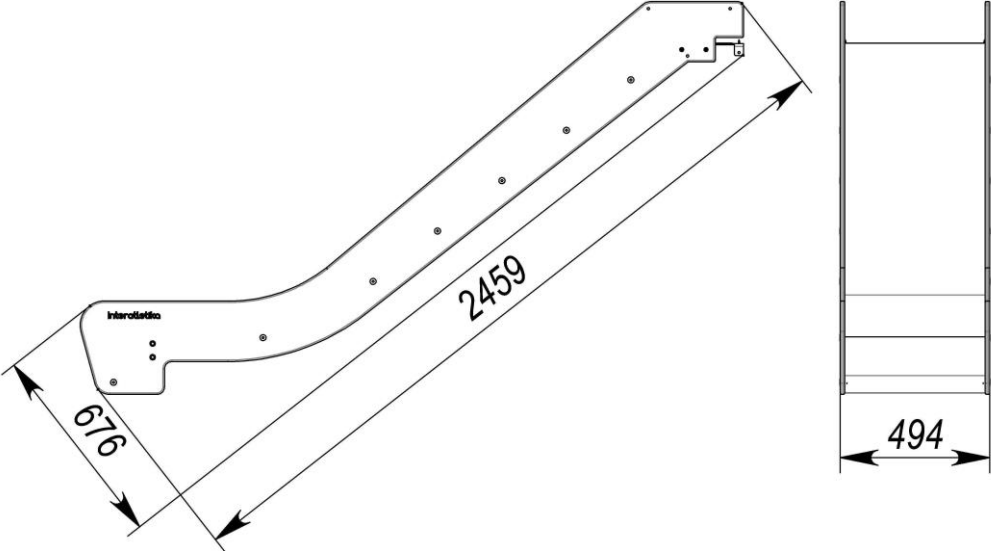
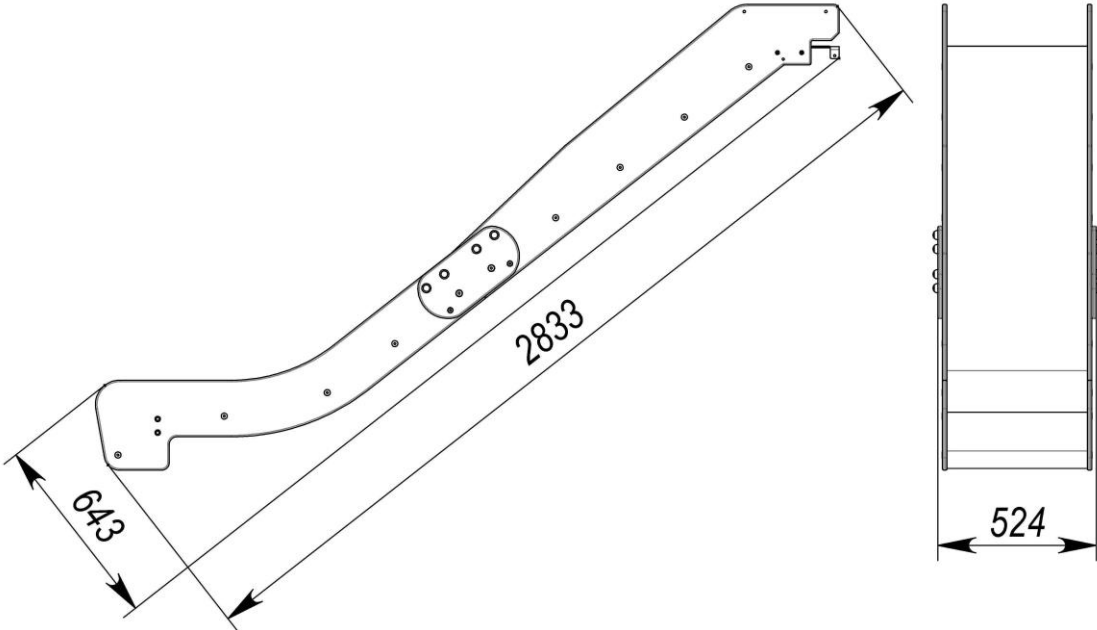
**LK322, LK322-COSMOS, LK322-UKRAINE, LK322-VIKINGS**



**Table №3 – Concreting zone:**

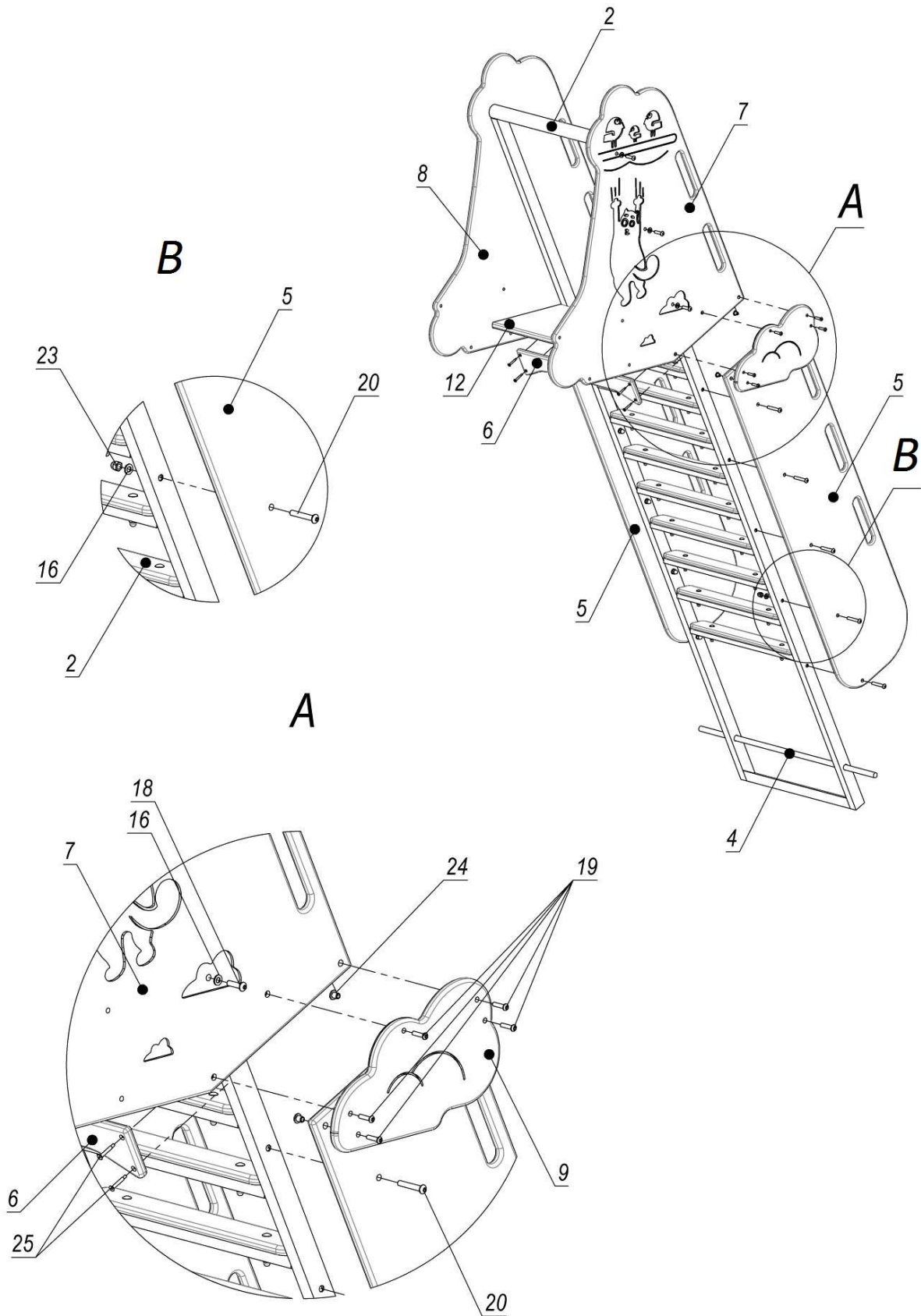


**Table №4 – Overall dimensions and weight of the biggest parts of the product:**

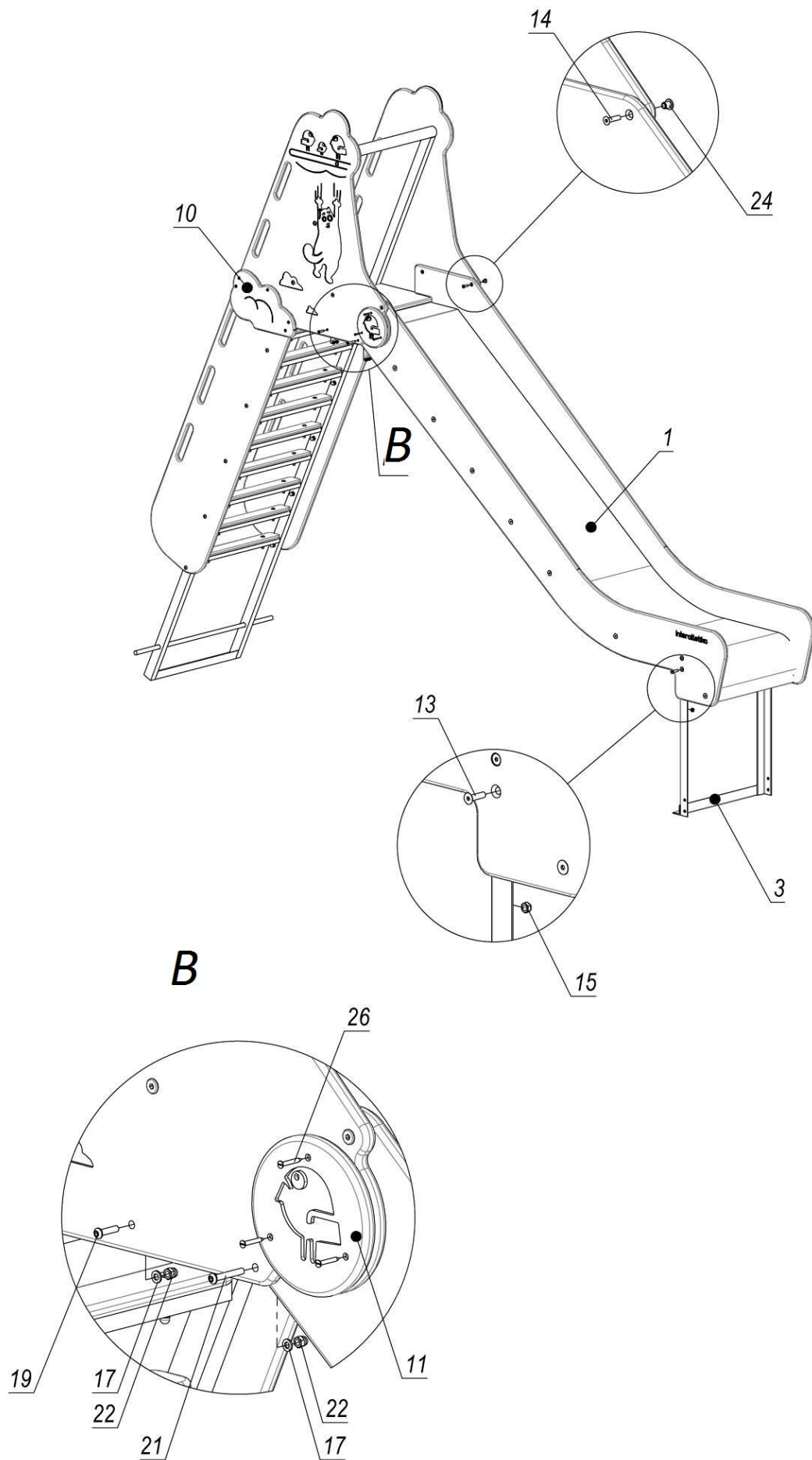
LK320, LK320-COSMOS, LK320-UKRAINE, LK320-VIKINGS	24 kg
	
LK321, LK321-COSMOS, LK321-UKRAINE, LK321-VIKINGS	35kg
	
LK322, LK322-COSMOS, LK322-UKRAINE, LK322-VIKINGS	45 kg
	

«Assembly schemes»

Other slides assembly procedure is the same



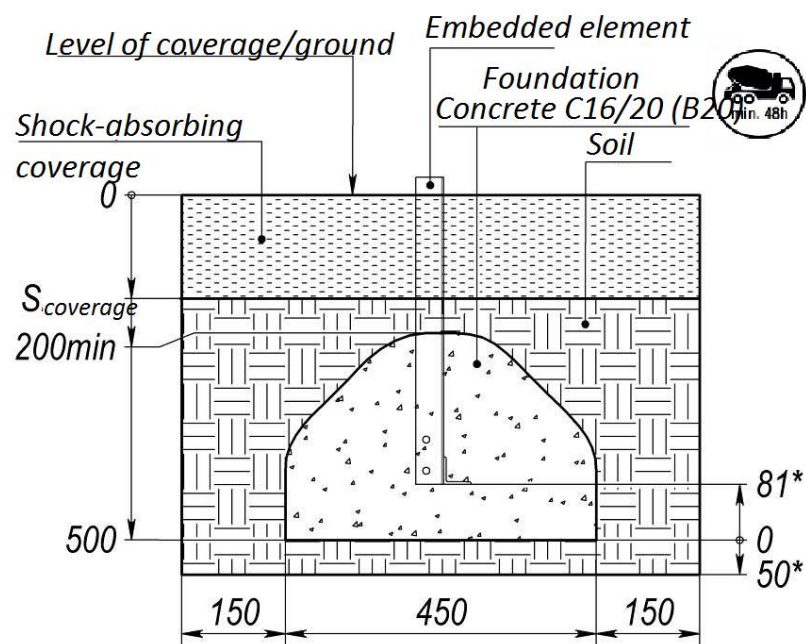
Picture 1 – Assembly scheme 1



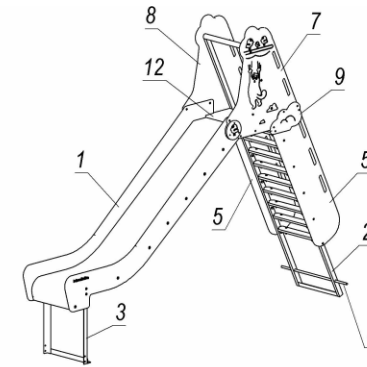
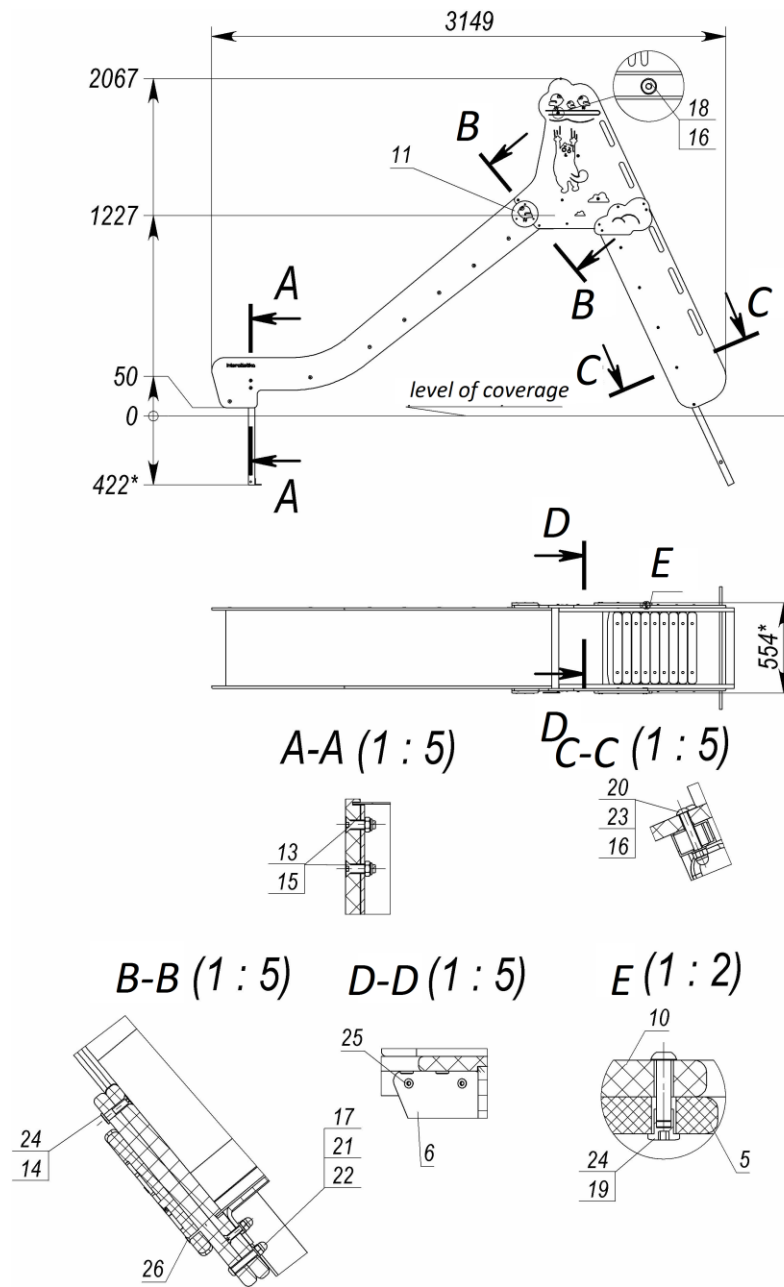
Picture 2 – Assembly scheme 2

Table N94 – Complete set

Pos.	Name	Weight, kg	Q-ty
1	Slide 1,2m (LK) - 38 degrees	35	1
2	Ladder with steps	22	1
3	Slide embedded element (angle plate)	5	1
4	Armature 16 L=750mm	.	1
5	Handrail		2
6	Shielding plate	.	1
7	Left side wall		1
8	Right side wall		1
9	Left cloud	.	1
10	Right cloud	.	1
11	Cover plate Bird	.	2
12	Slide platform	.	1
13	Stud M8*30 DIN7991 (countersunk)		4
14	Stud M6*25 DIN7991 (countersunk)		4
15	Nut M8 DIN 985 (flat)		4
16	Washer 8 DIN 125 (flat)		16
17	Washer 6 DIN 125 (flat)		4
18	Stud M8*30 ISO 7380 (round-head)		6
19	Stud M6*25 ISO 7380 (round-head)		12
20	Stud M8*50 ISO 7380 (round-head)		10
21	Stud M6*40 ISO 7380 (round-head)		2
22	Nut M6 DIN 1587 (cap)		4
23	Nut M8 DIN 1587 (cap)		10
24	nut M6*10 ERICSON (flat)		14
25	Screw 4,8*32 DIN 7504P (c-sunk +bore)		4
26	Screw 4*30 DIN 7997 (c-sunk-univ, PZ)	.	6

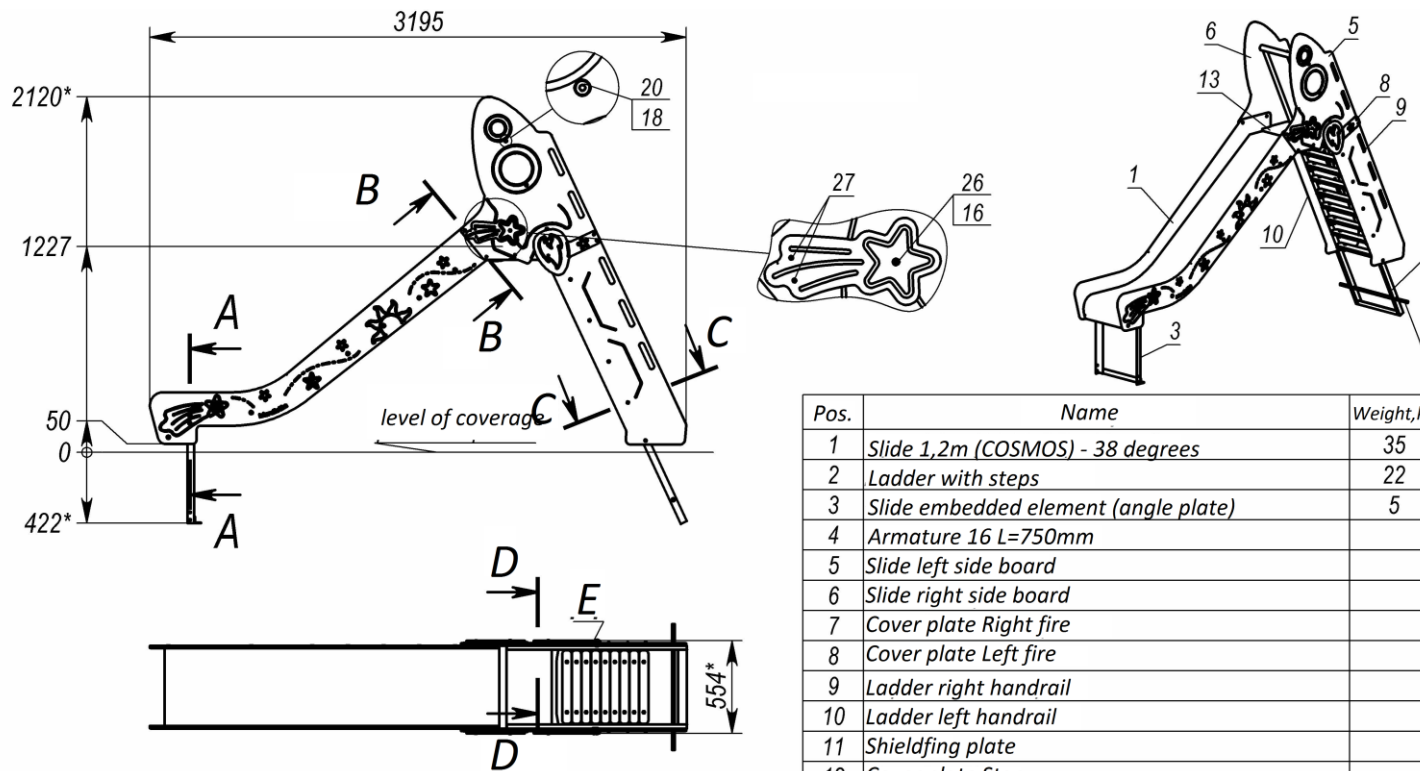


Picture 3 – Concreting scheme



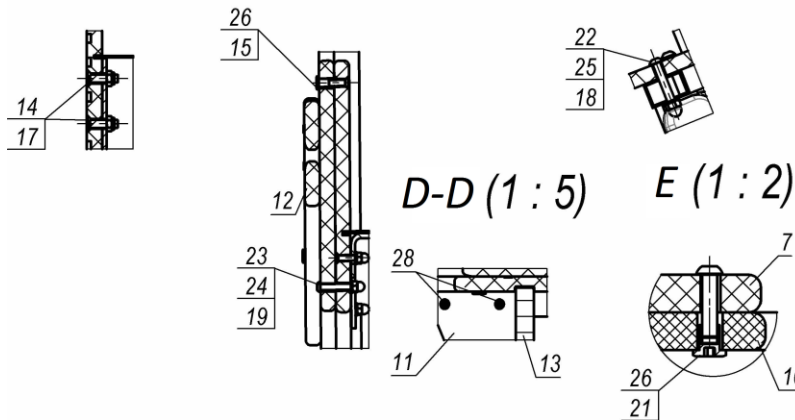
Pos.	Name	Weight,kg	Q-ty
1	Slide 1,2m (LK) - 38 degrees	35	1
2	Ladder with steps	22	1
3	Slide embedded element (angle plate)	5	1
4	Armature 16 L=750mm		1
5	Handrails		2
6	Shielding plate		1
7	Left slide side board		1
8	Right slide side board		1
9	Left cloud		1
10	Right cloud		1
11	Cover plate Bird		2
12	Slide playground platform		1
13	Stud M8*30.A2-70 DIN7991 (c-sunk)stainless steel		4
14	Stud M6*25.A2-70 DIN7991 (c-sunk)stainless steel		4
15	Nut M8.A2-70 DIN985 (lock) stainless steel		4
16	Washer 8-A2 DIN 125 (flat)		16
17	Washer 6-A2 DIN 125 (flat)		4
18	Stud M8*30.A2-70 ISO7380 (round-head) st.steel		6
19	Stud M6*25.A2-70 ISO7380 (round-head) st.steel		12
20	Stud M8*50.A2-70 ISO7380 (round-head) st.steel		10
21	Stud M6*40.A2-70 ISO7380 (round-head) st.steel		2
22	Nut M6.A2-70 DIN 1587 (cap) stainless steel		4
23	Nut M8.A2-70 DIN 1587 (cap) stainless steel		10
24	Nut M6x10.A2-70 ERICSON (flat) stainless steel		14
25	Screw 4,8*32.C1 DIN75004P (c-sunk+boreTX)s.s.		4
26	Screw 4*30-A2 DIN 7997 (c-sunk-univ,PZ) st.steel		6

Picture 4 – LK320

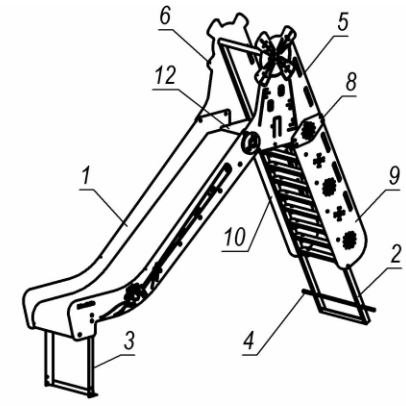
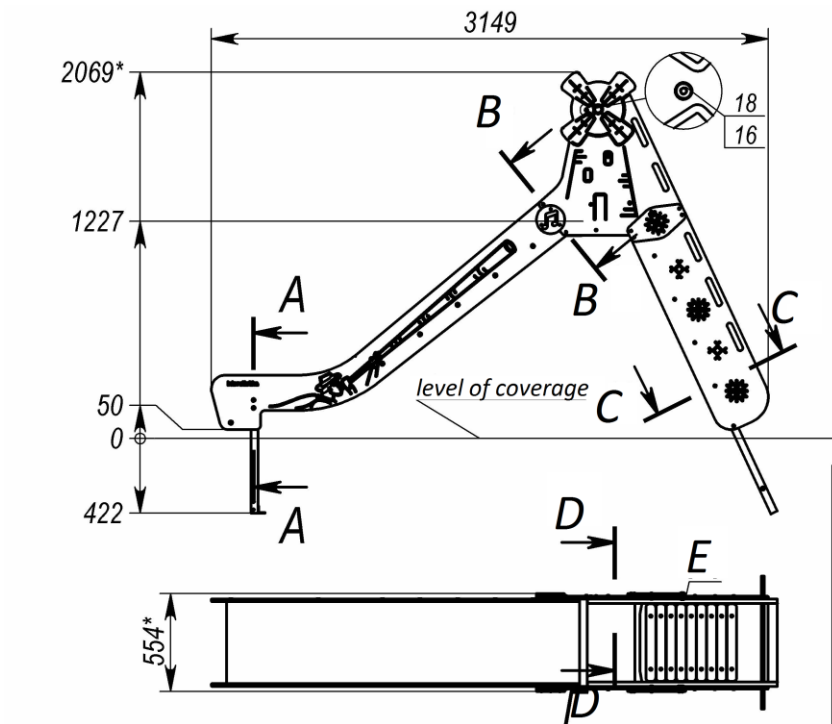


Pos.	Name	Weight,kg	Q-ty
1	Slide 1,2m (COSMOS) - 38 degrees	35	1
2	Ladder with steps	22	1
3	Slide embedded element (angle plate)	5	1
4	Armature 16 L=750mm		1
5	Slide left side board		1
6	Slide right side board		1
7	Cover plate Right fire		1
8	Cover plate Left fire		1
9	Ladder right handrail		1
10	Ladder left handrail		1
11	Shieldfing plate		1
12	Cover plate Star		2
13	Slide playground platform		1
14	Stud M8*30.A2-70 DIN7991(c-sunk)stainless st.		4
15	Stud M6*25.A2-70 DIN7991(c-sunk)stainless st.		2
16	Stud M6x40-A2 DIN7991 (c-sunk) stainless steel		2
17	Nut M8 A2-70 DIN985(lock) stainless steel		4
18	Washer 8-A2 DIN 125 (flat)		16
19	Washer 6-A2 DIN 125 (flat)		4
20	Stud M8*30.A2-70 ISO7380 (round-head) st.s.		6
21	Stud M6-25.A2-70 ISO7380 (round-head) st.steel		8
22	Stud M8-50.A2-70 ISO7380 (round-head) st.steel		10
23	Stud M6-40.A2-70 ISO7380 (round-head) st.steel		2
24	Nut M6.A2-70 DIN 1587 (cap) stainless steel		4
25	Nut M8.A2-70 DIN 1587 (cap) stainless steel		10
26	Nut M6x10.A2-70 ERISCON (flat) stainless steel		10
27	Screw 4*30-A2 DIN7997 (c-sunk-univ, PZ)st.s.		6
28	Screw 4,8*32.C1 DIN 7504P(c-sunk+bore TX)S.s.		4

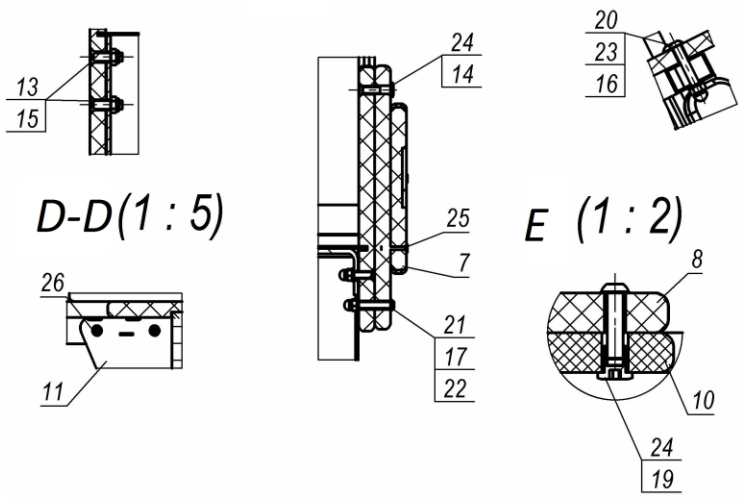
A-A (1:5) B-B (1:5) C-C (1:5)



Picture 5 – LK320-COSMOS

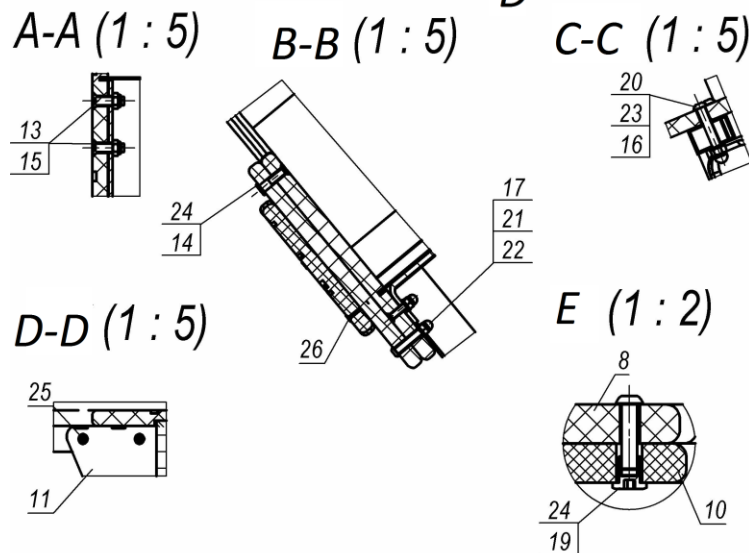
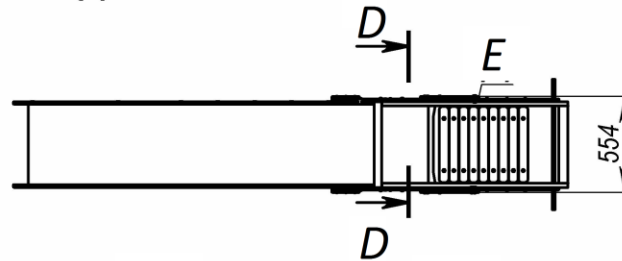
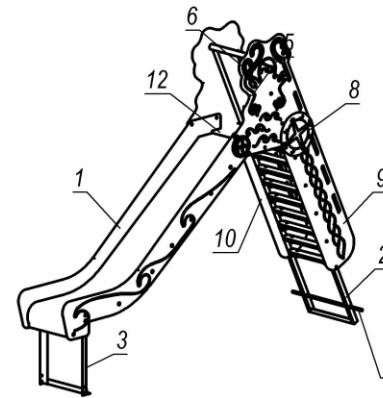
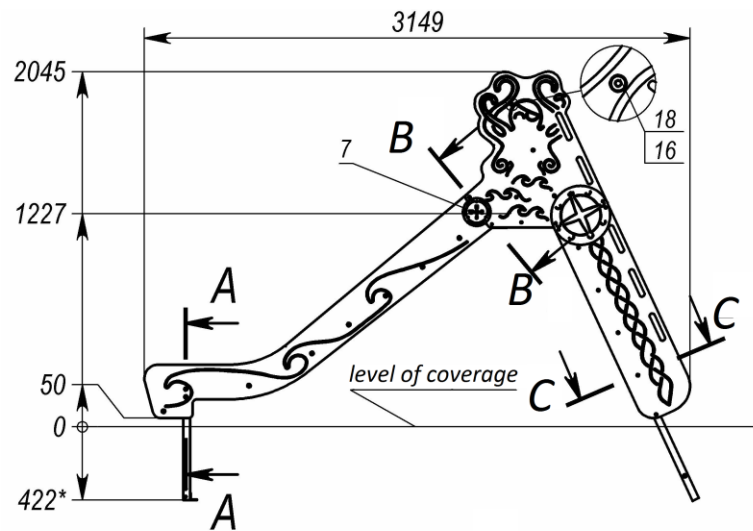


A-A (1 : 5)    B-B (1 : 5)    C-C (1 : 5)



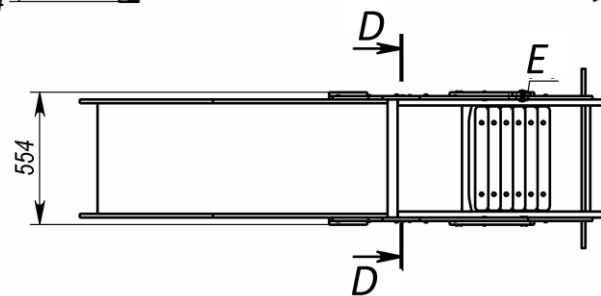
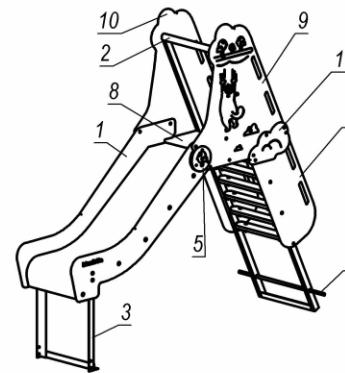
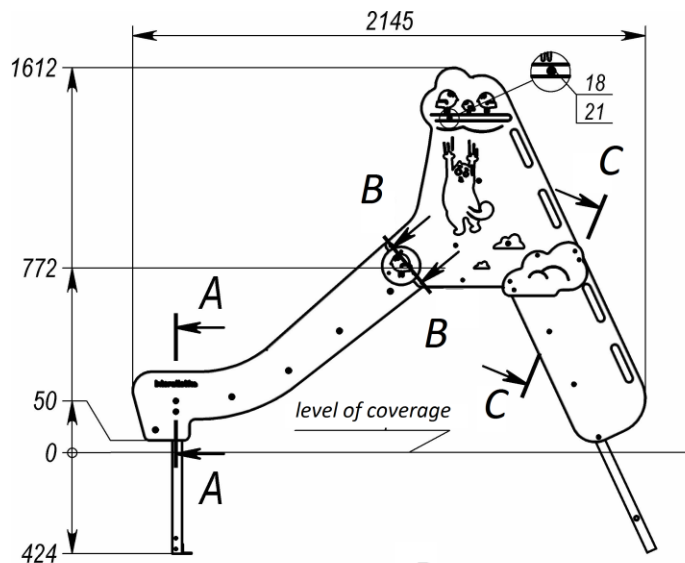
Pos.	Name	Weight	Q-ty
1	Slide 1,2m (Ukraine) - 38 degrees	35	1
2	Ladder with steps	22	1
3	Slide embedded element (angle plate)	5	1
4	Armature 16L=750mm		1
5	Slide left side board		1
6	Slide right side board		1
7	Cover plate Note		2
8	Cover plate Bluebottle		2
9	Right handrail		1
10	Left handrail		1
11	Shielding plate		1
12	Slide playground platform		1
13	Stud M8*30.A2-70 DIN7991 (c-sunk) stainless s.		4
14	Stud M6*25.A2-70 DIN7991 (c-sunk) stainless s.		4
15	Nut M8 A2-70 DIN 985 (lock) stainless steel		4
16	Washer 8-A2 DIN 125 (flat)		16
17	Washer 6-A2 DIN 125 (flat)		4
18	Stud M8*30.A2-70 ISO7380 (round-head)st.steel		6
19	Stud M6*25.A2-70 ISO7380 (round-head)st.steel		12
20	Stud M8*50.A2-70 ISO7380 (round-head)st.steel		10
21	Stud M6*40.A2-70 ISO7380 (round-head)st.steel		2
22	Nut M6.A2-70 DIN 1587 (cap) stainless steel		4
23	Nut M8.A2-70 DIN 1587 (cap) stainless steel		10
24	Nut M6x10.A2-70 ERICSON (flat) stainless steel		14
25	Screw 4*30-A2 DIN 7997(c-sunk-univ PZ)s.s.		6
26	Screw 4,8*32.C1 DIN7504P (c-sunk+bore TX)st.s.		4

Picture 6 – LK320-UKRAINE

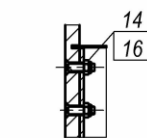


Pos.	Name	Weight	Q-ty
1	Slide 1,2m (VIKINGS) - 38 degrees	35	1
2	Ladder with steps	22	1
3	Slide embedded element (angle plate)	5	1
4	Armature 16L=750mm		1
5	Slide left side board		1
6	Slide right side board		1
7	Cover plate Compass		2
8	Cover plate Shield		2
9	Ladder left side board		1
10	Ladder right side board		1
11	Shielding plate		1
12	Slide playground platform		1
13	Stud M8*30.A2-70 DIN7991 (c-sunk) stainless st.		4
14	Stud M6*25.A2-70 DIN7991 (c-sunk) stainless st.		4
15	Nut M8.A2-70 DIN 985 (lock) stainless steel		4
16	Washer 8-A2 DIN 125 (flat)		16
17	Washer 6-A2 DIN 125 (flat)		4
18	Stud M8*30.A2-70 ISO7380 (round-head) st.steel		6
19	Stud M6*25.A2-70 ISO7380 (round-head) st.steel		12
20	Stud M8*50.A2-70 ISO7380 (round-head) st.steel		10
21	Stud M6*40.A2-70 ISO7380 (round-head) st.steel		2
22	Nut M6.A2-70 DIN 1587(cap) stainless steel		4
23	Nut M8.A2-70 DIN 1587(cap) stainless steel		10
24	Nut M6x10.A2-70 ERISCON(flat) stainless steel		12
25	Screw 4,8*32.C1 DIN 7504P (c-sunk+bore TX)s.s.		4
26	Screw 4*30-A2 DIN 7997 (c-sunk-univ PZ)s.s.		6

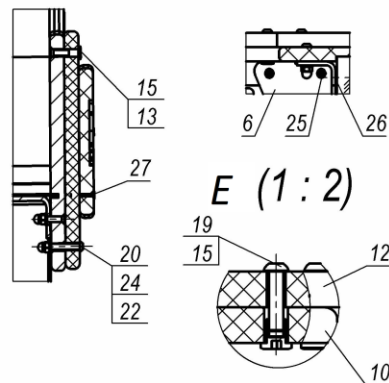
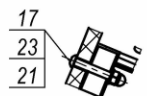
Picture 7 – LK320-VIKINGS



A-A (1 : 5) B-B (1 : 5) C-C (1 : 5)



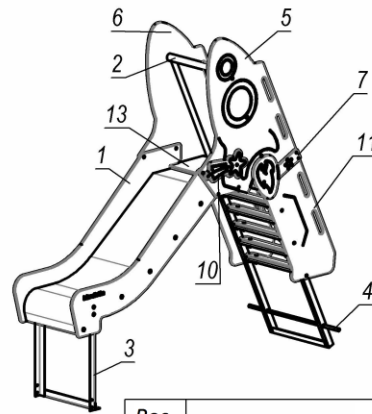
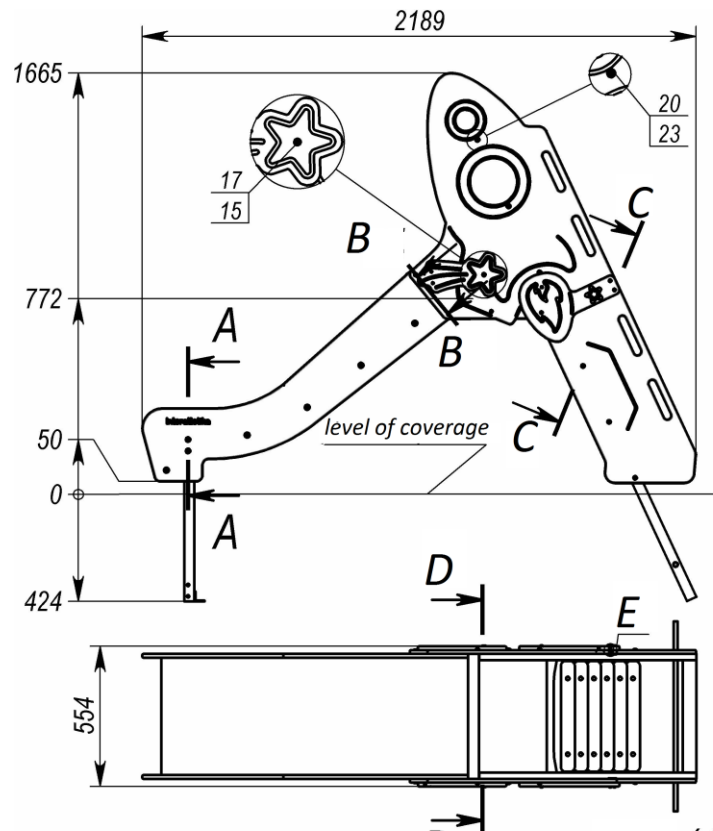
D-D (1 : 5)



E (1 : 2)

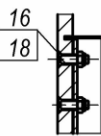
Pos.	Name	Weight	Q-ty
1	Slide 0,7m	24	1
2	Ladder with cover plates	17	1
3	Slide embedded elements (angle plate)	5	1
4	Armature 16L=750mm		1
5	Cover plate Bird		2
6	Shielding plate		1
7	Handrail		2
8	Slide playground platform		1
9	Slide left side board		1
10	Slide right side board		1
11	Left cloud		1
12	Right cloud		1
13	Stud M6-25.A2-70 DIN7991 (c-sunk) stainless st.		4
14	Stud M8*30.A2-70 DIN7991 (c-sunk) stainless st.		4
15	Nut M6x10.A2-70 DIN 985 (lock) stainless steel		14
16	Nut M8.A2-70 DIN 985 (lock)stainless steel		4
17	Stud M8*50.A2-70 ISO7380 (round-head) st.steel		6
18	Stud M8*30.A2-70 ISO7380 (round-head) st.steel		6
19	Stud M6*25.A2-70 ISO7380 (round-head) st.steel		12
20	Stud M6*40.A2-70 ISO7380 (round-head) st.steel		2
21	Washer 8-A2 DIN 125 (flat)		12
22	Washer 6-A2 DIN 125 (flat)		4
23	Nut M8.A2-70 DIN 1587 (cap) stainless steel		6
24	Nut M6.A2-70 DIN 1587 (cap) stainless steel		4
25	Screw 4,8*32.C1 DIN 7504P(c-sunk+bore TX)s.s.		4
26	Screw 4*16-A2 DIN7997 (c-sunk-univ, PZ)st.s.		2
27	Screw 4*30-A2 DIN7997 (c-sunk-univ, PZ) st.s.		6

Picture 8 – LK321

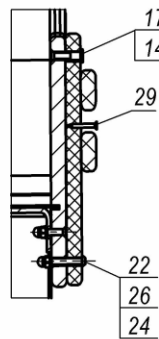


Pos.	Name	Weight	Q-ty
1	Slide 0,7m	24	1
2	Ladder with cover plates	17	1
3	Slide embedded element (angle plate)	5	1
4	Armature 16L=750mm		1
5	Slide left side board		1
6	Slide right side board		1
7	Cover plate Left flame		1
8	Cover plate Right flame		1
9	Shielding plate		1
10	Cover plate Star		2
11	Left handrail		1
12	Right handrail		1
13	Slide playground platform		1
14	Stud M6*25.A2-70 DIN7991(c-sunk)stainless st.		2
15	Stud M6x40-A2 DIN7991(c-sunk)stainless st.		2
16	Stud M8*30.A2-70 DIN7991(c-sunk)stainless st.		4
17	Stud M6x10.A2-70 ERICSON(flat)stainless st.		10
18	Nut M8.A2-70 DIN985 (lock) stainless steel		4
19	Stud M8*50.A2-70 ISO7380(round-head)st. steel		6
20	Stud M8*30.A2-70 ISO7380(round-head)st. steel		6
21	Stud M6*25.A2-70 ISO7380(round-head)st. steel		8
22	Stud M6*40.A2-70 ISO7380(round-head)st. steel		2
23	Washer 8-A2 DIN 125 (flat)		12
24	Washer 6-A2 DIN 125 (flat)		4
25	Nut M8.A2-70 DIN1587 (cap) stainless steel		6
26	Nut M6.A2-70 DIN1587 (cap) stainless steel		4
27	Screw 4,8*32.C1 DIN7504P (c-sunk+bore TX)st.s.		4
28	Screw 4*16-A2 DIN 7997 (c-sunk-univ, PZ)st.s.		2
29	Screw 4*30-A2 DIN 7997 (c-sunk-univ, PZ) st.s.		6

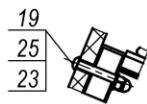
A-A (1 : 5)



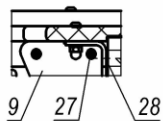
B-B (1 : 5)



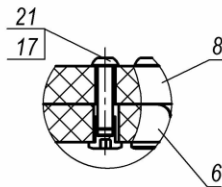
C-C (1 : 5)



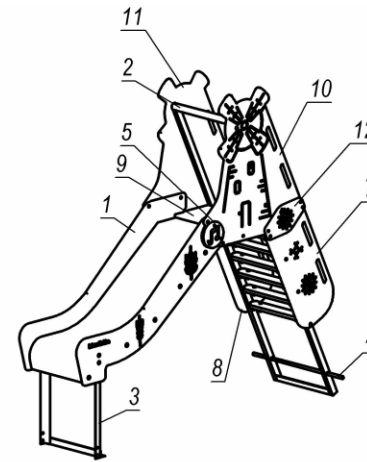
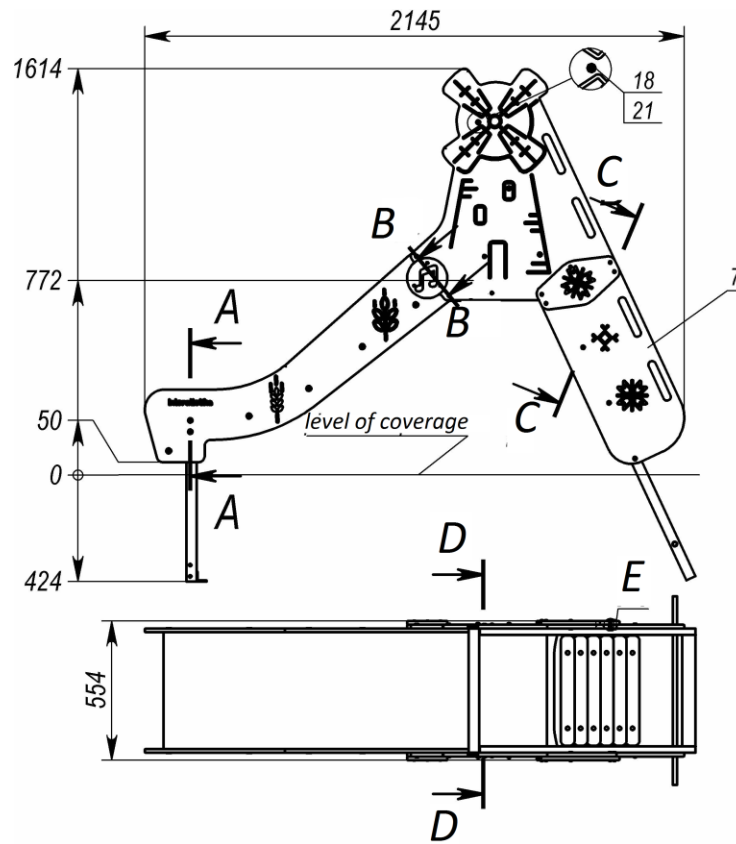
D-D (1 : 5)



E (1 : 2)

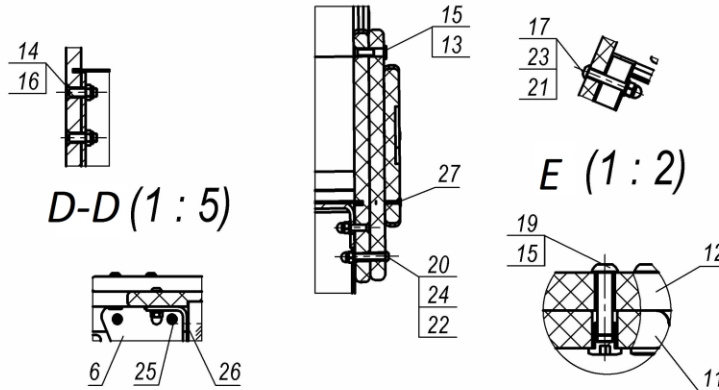


Picture 9 – LK321-COSMOS

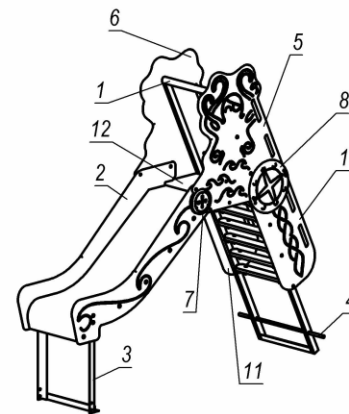
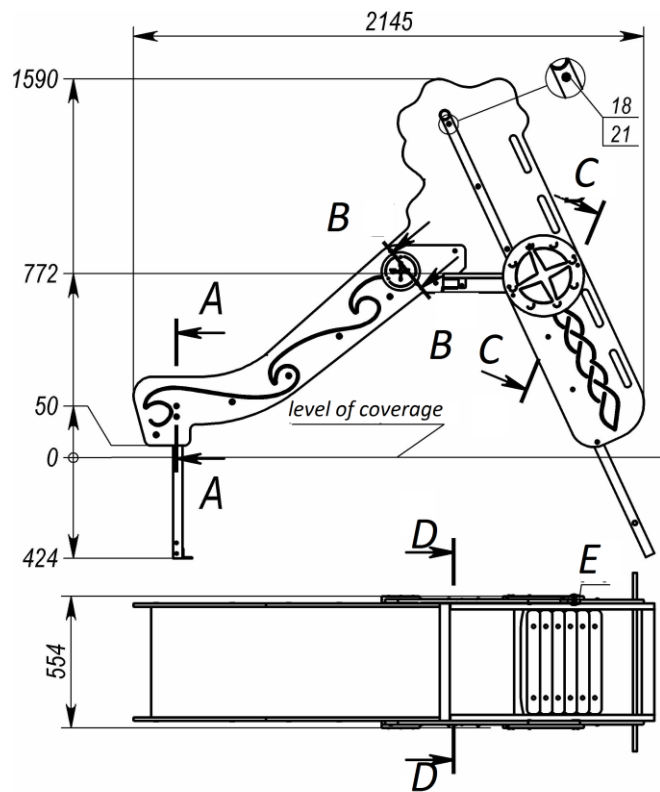


Pos.	Name	Weight	Q-ty
1	Slide 0,7 m (UKRAINE) 38 degrees	24	1
2	Ladder with cover plates	17	1
3	Slide embedded element (angle plate)	5	1
4	Armature 16L=750mm		1
5	Cover plate Note		2
6	Shielding plate		1
7	Ladder right side board		1
8	Ladder left side board		1
9	Slide playground platform		1
10	Slide left side board		1
11	Slide right side board		1
12	Cover plate Bluebottle		2
13	Stud M6*25.A2-70 DIN7991 (c-sunk)stainless st.		4
14	Stud M8*30.A2-70 DIN7991 (c-sunk)stainless st.		4
15	Nut M6x10.A2-70 ERICSON (flat) stainless steel		14
16	Nut M8.A2-70 DIN 985 (lock) stainless steel		4
17	Stud M8*50.A2-70 ISO7380 (round-head)st.steel		6
18	Stud M8*30.A2-70 ISO7380 (round-head)st.steel		6
19	Stud M6*25.A2-70 ISO7380 (round-head)st.steel		12
20	Stud M6*40.A2-70 ISO7380 (round-head)st.steel		2
21	Washer 8-A2 DIN 125 (flat)		12
22	Washer 6-A2 DIN 125 (flat)		4
23	Nut M89.A2-70 DIN 1587 (cap)stainless steel		6
24	Nut M6.A2-70 DIN 1587 (cap) stainless steel		4
25	Screw 4.8*32.C1 DIN7504P(c-sunk+bore TX)st.s.		4
26	Screw 4*16-A2 DIN 7997 (c-sunk-univ,PZ) st.s.		2
27	Screw 4*30-A2 DIN 7997 (c-sunk-univ,PZ) st.s.		6

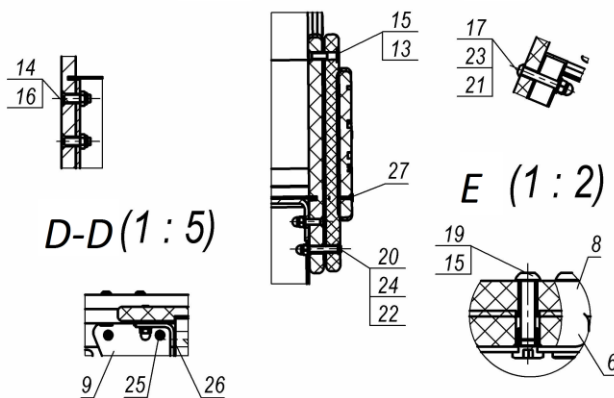
A-A (1:5) B-B (1:5) C-C(1:5)



Picture 10 – LK321-UKRAINE

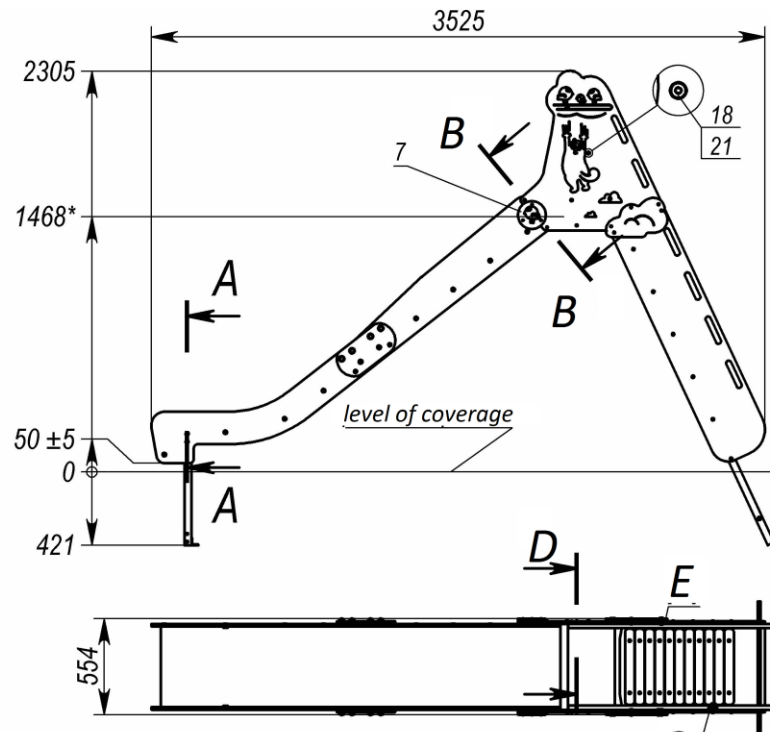


A-A (1:5) B-B (1:5) C-C (1:5)

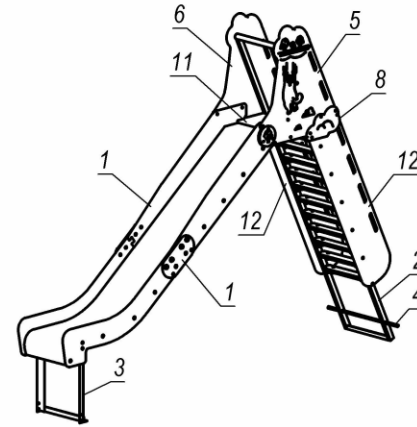
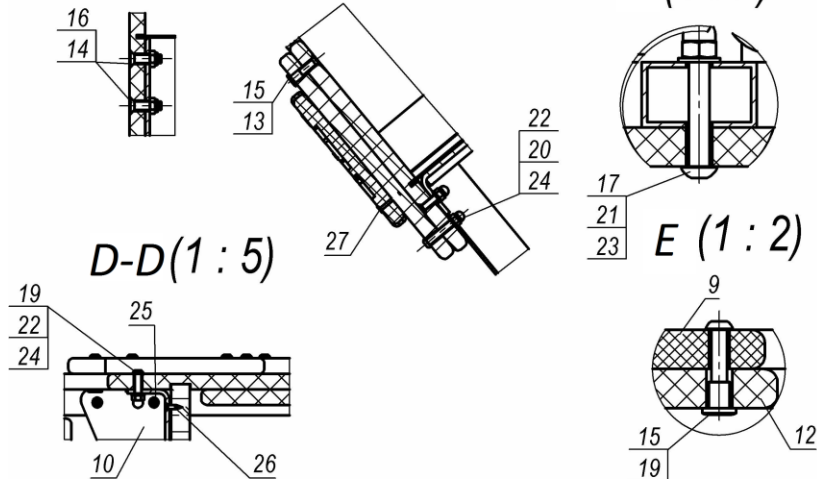


Pos.	Name	Weight	Q-ty
1	Ladder with cover plates	17	1
2	Slide 0,7m (VIKINGS) 38 degrees	24	1
3	Slide embedded element (angle plate)	5	1
4	Armature 16L=750mm		1
5	Slide left side board		1
6	Slide right side board		1
7	Cover plate Compass		2
8	Cover plate Shield		2
9	Shielding plate		1
10	Right ladder handrail		1
11	Left ladder handrail		1
12	Slide playground platform		1
13	Stud M6*25.A2-70 DIN 7991 (c-sunk)stainless s.		4
14	Stud M8*30.A2-70 DIN 7991 (c-sunk)stainless s.		4
15	Nut M6x10.A2-70 ERICSON (flat)stainless steel		14
16	Nut M8.A2-70 DIN 985 (lock) stainless steel		4
17	Stud M8*50.A2-70 ISO7380 (round-head) st.s.		6
18	Stud M8*30.A2-70 ISO7380 (round-head) st.s.		6
19	Stud M6*25.A2-70 ISO7380 (round-head) st.s.		12
20	Stud M6*40.A2-70 ISO7380 (round-head) st.s.		2
21	Washer 8-A2 DIN 125 (flat)		12
22	Washer 6-A2 DIN 125 (flat)		4
23	Nut M8.A2-70 DIN1587(cap) stainless steel		6
24	Nut M6.A2-70 DIN1587 (cap) stainless steel		4
25	Screw 4,8*32.C1 DIN7504P (c-sunk+bore TX)st.s.		4
26	Screw 4*16-A2 DIN7997(c-sunk0univ, PZ)st.s.		2
27	Screw 4*30-A2 DIN7997(c-sunk0univ, PZ)st.s.		6

Picture 11 – LK321-VIKINGS

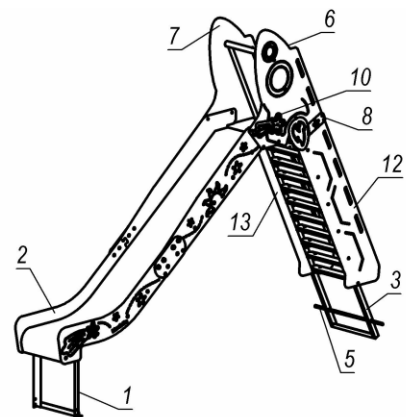
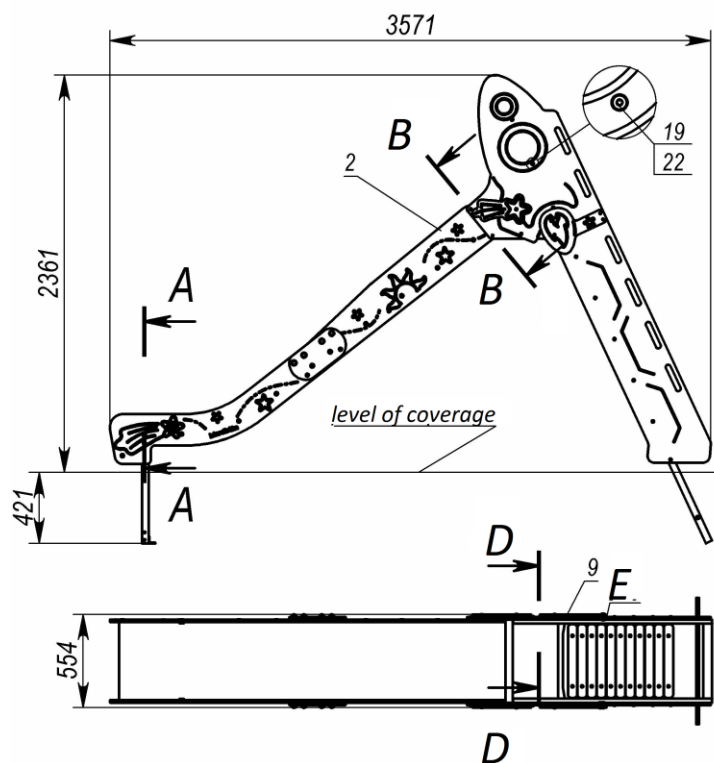


A-A (1 : 5) B-B (1 : 5) C-C (1 : 2) D-D (1 : 5) E-E (1 : 2)

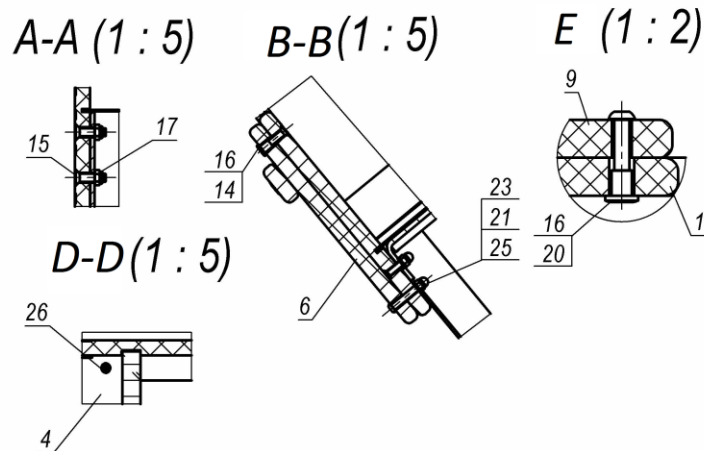


Pos.	Name	Weight	Q-ty
1	Slide 1,5m - 38 degrees	45	1
2	Ladder with steps	25	1
3	Slide embedded element (angle plate)	5	1
4	Armature 16L=750mm		1
5	Slide left side board		1
6	Slide right side board		1
7	Cover plate Bird		2
8	Left cloud		1
9	Right cloud		1
10	Shielding plate		1
11	Slide playground platform		1
12	Ladder side board		2
13	Stud M6*25.A2-70 DIN7991 (c-sunk) stainless st.		4
14	Stud M8*30.A2-70 DIN7991 (c-sunk) stainless st.		4
15	Nut M6x10.A2-70 ERICSON (flat) stainless steel		14
16	Nut M8.A2-70 DIN985 (lock) stainless steel		4
17	Stud M8*50.A2-70 ISO7380 (round-head) st.steel		12
18	Stud M8*25.A2-70 ISO7380 (round-head) st.steel		6
19	Stud M6*25.A2-70 ISO7380 (round-head) st.steel		12
20	Stud M6*40.A2-70 ISO7380 (round-head) st.steel		2
21	Washer 8-A2 DIN 125 (flat)		18
22	Washer 6-A2 DIN 125 (flat)		4
23	Nut M8.A2-70 DIN1587 (cap) stainless steel		12
24	Nut M6.A2-70 DIN1587(cap) stainless steel		4
25	Screw 4,8*32.C1 DIN7504P(c-sunk+boreTX) st.s.		4
26	Screw 4*16-A2 DIN7997 (c-sunk-univ,PZ)st.s.		2
27	Screw 4*30-A2 DIN7997 (c-sunk-univ,PZ)st.s.		6

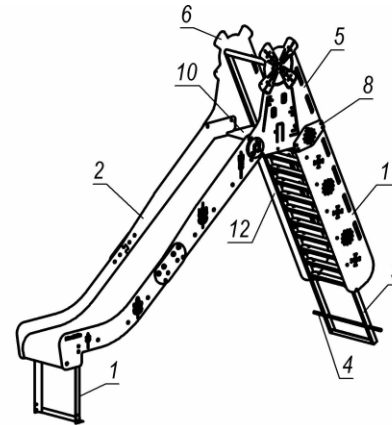
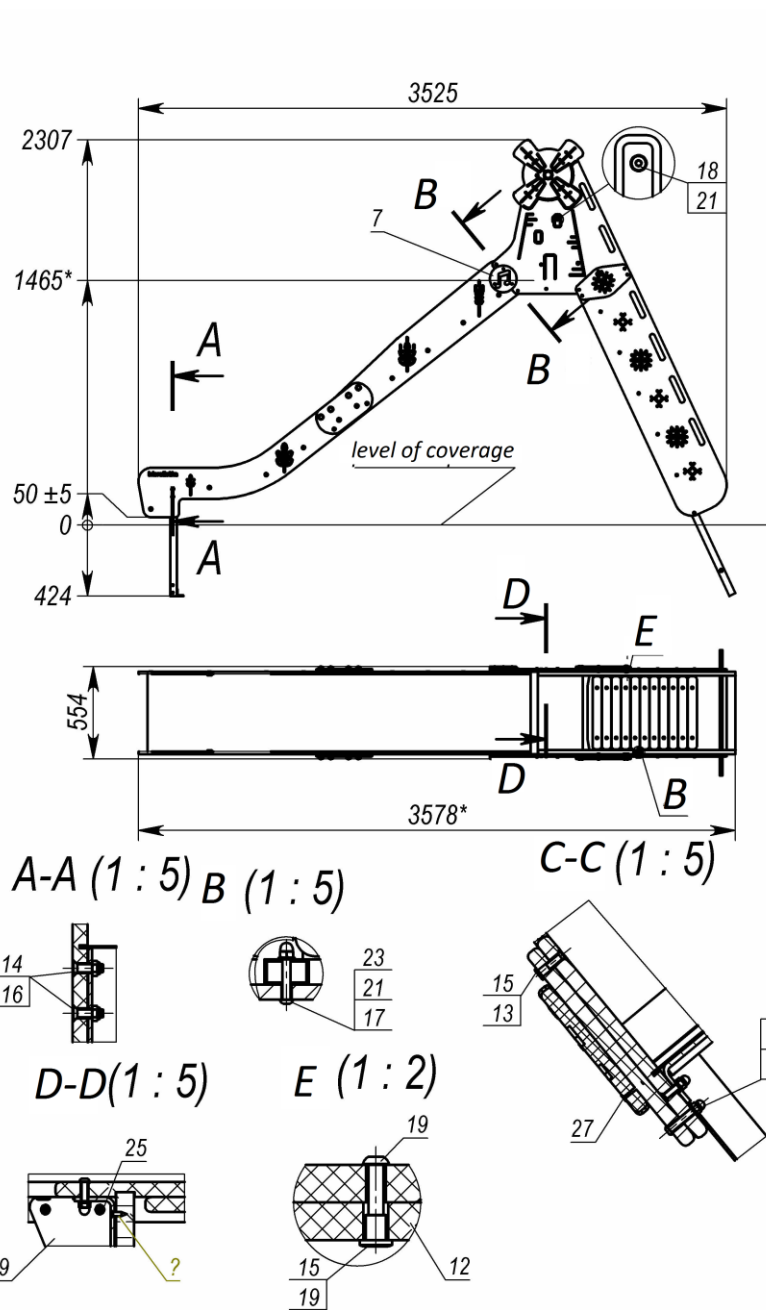
Picture 12 – LK322



Pos.	Name	Weight	Q-ty
1	Slide embedded element (angle plate)	5	1
2	Slide (COSMOS) 1,5m - 38 degrees	45	1
3	Ladder with steps	25	1
4	Shielding plate		1
5	Armature 16L=750mm		1
6	Slide left side board		1
7	Slide right side board		1
8	Cover plate Left flame		1
9	Cover plate Righth flame		1
10	Cover plate Star		2
11	Slide playgroundn platform		1
12	Ladder right handrail		1
13	Ladder left handrail		1
14	Stud M6*25.A2-70 DIN7991 (c-sunk) stainless st.		4
15	Stud M8*30.A2-70 DIN7991 (c-sunk) stainless st.		4
16	Nut M6x10.A2-70 DIN ERICSON (flat) st.steel		10
17	Nut M8.A2-70 DIN 985 (lock) stainless steel		4
18	Stud M8*50.A2-70 ISO7380 (round-head) st.steel		12
19	Stud M8*25.A2-70 ISO7380 (round-head) st.steel		6
20	Stud M6*25.A2-70 ISO7380 (round-head) st.steel		8
21	Stud M6*40.A2-70 ISO7380 (round-head) st.steel		2
22	Washer 8-A2 DIN 125 (flat)		18
23	Washer 6-A2 DIN 125 (flat)		4
24	Nut M8.A2-70 DIN1587 (cap) stainless steel		12
25	Nut M6.A2-70 DIN1587 (cap) stainless steel		4
26	Screw 4,8*32.C1 DIN7504P (c-sunk+bore TX) st.s.		4
27	Screw 4*16-A2 DIN7997 (c-sunk-univ, PZ) s.s.		2
28	Screw 4*30-A2 DIN7997 (c-sunk-univ, PZ) s.s.		4

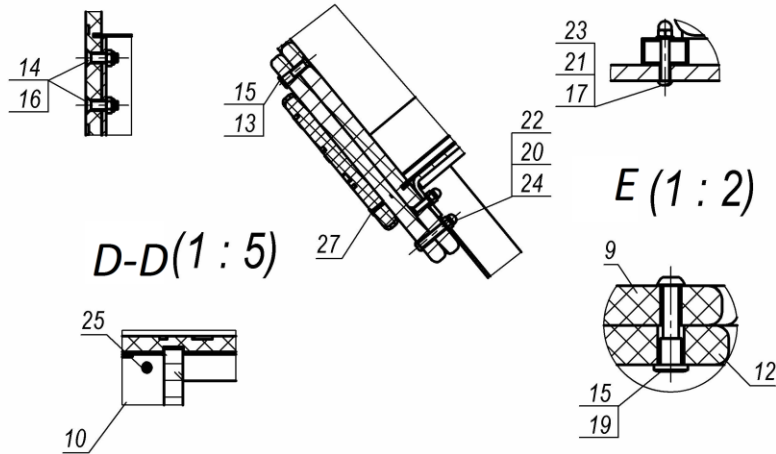
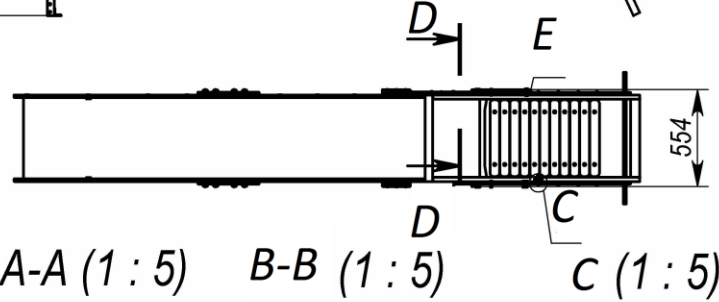
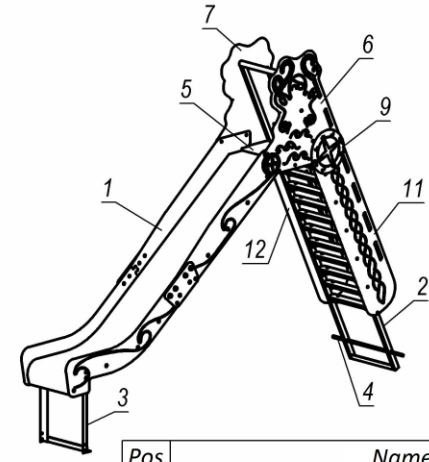
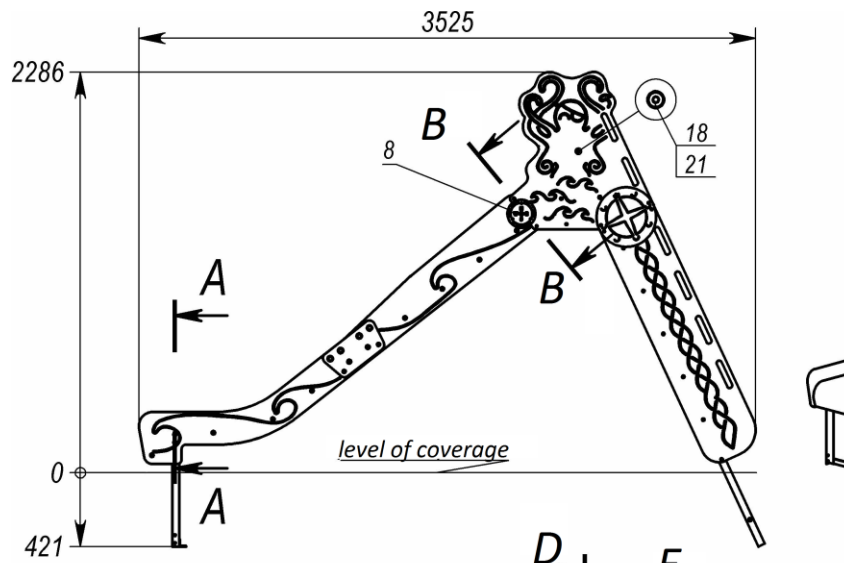


Picture 13 – LK322-COSMOS



Pos.	Name	Weight	Q-ty
1	Slide embedded element (angle plate)	5	1
2	Slide (UKRAINE) 1,5m - 38 degrees	45	1
3	Ladder with steps	25	1
4	Armature 16L=750mm	1	1
5	Slide left side board		1
6	Slide right side board		1
7	Cover plate Note		2
8	Cover plate Bluebottle		2
9	Shielding plate		1
10	Slide playground platform	2	1
11	Left side board		1
12	Right side board		1
13	Stud M6*25.A2-70 DIN7991 (c-sunk) stainless st.		4
14	Stud M8*30.A2-70 DIN7991 (c-sunk) stainless st.		4
15	Nut M6x10.A2-70 ERICSON (flat) stainless steel		14
16	Nut M8.A2-70 DIN 985 (lock) stainless steel		4
17	Stud M8*50.A2-70 ISO 7380(round-head) st.steel		12
18	Stud M8*25.A2-70 ISO 7380(round-head) st.steel		6
19	Stud M6*25.A2-70 ISO 7380(round-head) st.steel		12
20	Stud M6*40.A2-70 ISO 7380(round-head) st.steel		2
21	Washer 8-A2 DIN 125 (flat)		18
22	Washer 6-A2 DIN 125 (flat)		4
23	Nut M8.A2-70 DIN 1587 (cap) stainless steel		12
24	Nut M6.A2-70 DIN 1587 (cap) stainless steel		4
25	Screw 4,8*32.C1 DIN 7504P(c-sunk+bore TZ) s.s.		4
26	Screw 4*16-A2 DIN 7997 (c-sunk-univ, PZ) st.s.		2
27	Screw 4*30-A2 DIN 7997 (c-sunk-univ, PZ) st.s.		6

Picture 14 – LK322-UKRAINE



Pos.	Name	Weight	Q-ty
1	Slide (VIKINGS) 1,5m - 38 degrees	45	1
2	Ladder with steps	25	1
3	Slide embedded element (angle plate)	5	1
4	Armature 16L=750mm		1
5	Slide playground platform		1
6	Slide left side board		1
7	Slide right side board		1
8	Cover plate Compass		2
9	Cover plate Shield		2
10	Shielding plate		1
11	Left side board		1
12	Right side board		1
13	Stud M6*25.A2-70 DIN7991 (c-sunk) stainless st.		4
14	Stud M8*30.A2-70 DIN7991 (c-sunk) stainless st.		4
15	Nut M6x10.A2-70 ERICSON (flat)stainless steel		14
16	Nut M8.A2-70 DIN 985 (lock) stainless steel		4
17	Stud M8*50.A2-70 ISO7380 (round-head) st.steel		12
18	Stud M8*25.A2-70 ISO7380 (round-head) st.steel		6
19	Stud M6*25.A2-70 ISO7380 (round-head) st.steel		12
20	Stud M6*40.A2-70 ISO7380 (round-head) st.steel		2
21	Washer 8-A2 DIN 125 (flat)		18
22	Washer 6-A2 DIN 125 (flat)		4
23	Nut M8.A2-70 DIN 1587 (cap) stainless steel		12
24	Nut M6.A2-70 DIN 1587 (cap) stainless steel		4
25	Screw 4,8*32.C1 DIN 7504P (c-sunk+bore TX) s.s.		4
26	Screw 4*16-A2 DIN 7997 (c-sunk-univ, PZ) st.s.		2
27	Screw 4*30-A2 DIN 7997 (c-sunk-univ, PZ) st.s.		6

Picture 15 – LK322-VIKINGS