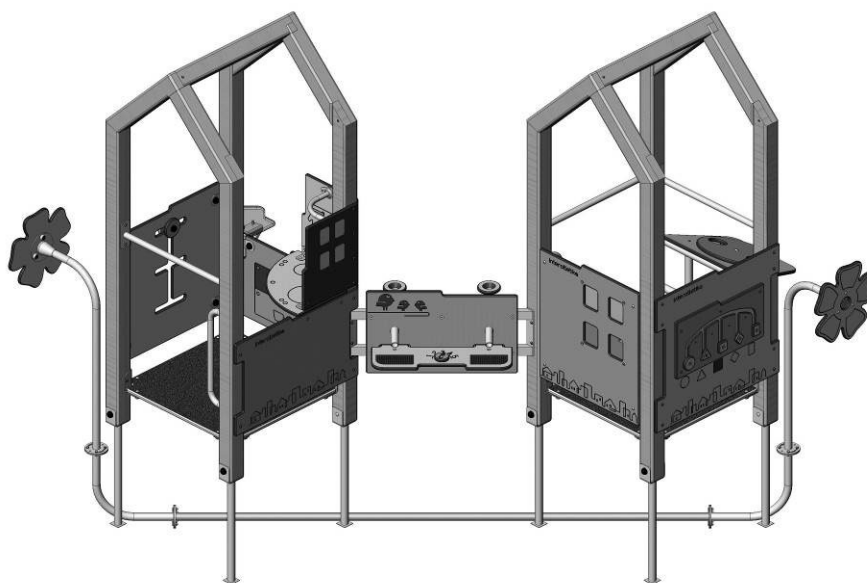
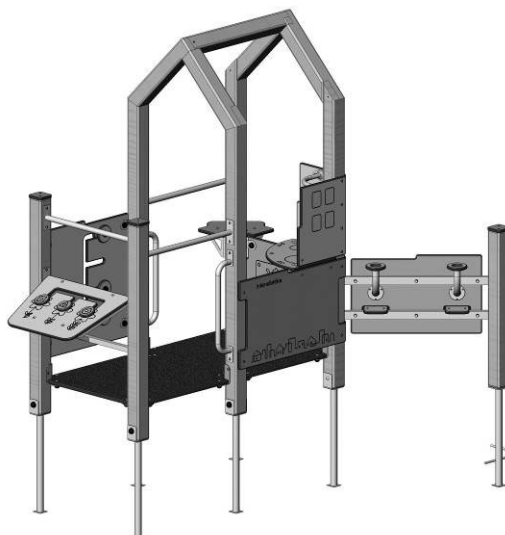


DATA SHEET

Play houses

LK301, LK302, LK303, LK304,
LK305, LK306, LK307, LK308



1. GENERAL INFORMATION

Purpose and content of this document. This document contains a general description of the equipment, information on installation, intended use, maintenance, current repair and manufacturer's warranty.

Distribution of this document for product modifications. The manufacturer can make changes to the design of the product, aimed at improving its characteristics, changing the design, etc. This document may not contain a description of such changes, but applies to such modified products.

2. PRODUCT ASSEMBLY AND INSTALLATION PROCEDURE

Tools and accessories. The product does not include the tools required for assembly and installation.

Product assembly and installation procedure.

- 1) Mark the area as indicated on the foundation layout scheme.
- 2) Dig the holes for the installation of the embedded parts and attachments. Levelling the depth of the holes by deepening them or adding gravel.
- 3) Assemble and install the equipment in accordance with the assembly schemes - chapter 7.
- 4) Concrete the embedded parts and support structures of the attachments. When installing the product on sandy soil, the overall dimensions of the holes should be increased for 15-20%.

To avoid cracking of the wood, for screws with a diameter of more than 4 mm, drill holes with a diameter of 0.6...0.7 mm to a depth of 0.8 of the screw's length.

WARNING. The presence and participation of children during the installation of the product is not allowed.

3. PRODUCT USE

Do not use the product until it has been fully and completely installed.

The product must not be used by users of a different age and weight category.

Before using the product, clear the safety area of any unnecessary objects that may cause damage to the user (debris, tools left over from assembly and installation, etc.).

Do not use the product in adverse weather conditions (ice, snow, rain, hail, strong winds, etc.), which may cause injury to the user.

4. PRODUCT MAINTENANCE

You have purchased high-quality and reliable equipment. In the process of its production, the requirements of regulatory and technical documents of Ukraine, the CIS countries and the European Union regulating the production of children's gaming equipment were taken into account. However, it should not be forgotten that when operating any technical product, certain rules and requirements must be followed. Despite the fact that our product is of high quality and reliability, this rule applies to it in full. You should be aware that the implementation of the following rules and recommendations for product maintenance is aimed at ensuring that your child, the child of your friends or acquaintances is safe and no unforeseen factors threaten his health, life.

Remember that the operation of the product is accompanied by the influence of various negative factors on it, a complete list of which cannot be predicted. Among them, an important place is occupied by natural factors and factors caused by human influence on equipment. As a rule, their action initially leads to disruptions in the appearance of the product. Thus, under the influence of factors caused by the exploitation of a person, there may be damage to the integrity of the paint coating of parts made of wood, in the form of scuffs, chips, incisions, and when exposed to parts made of metal, damage to the paint coating in the form of nicks, chips, abrasion, etc. This leads to the emergence and development of defects that can be the cause of the destruction of the product. The product is particularly dangerous if it is used for other than its intended purpose, if the permissible loads are exceeded, or if vandalism occurs, as these factors can cause irreversible changes in the structure of the material from which the product is made, leading to destruction.

The maintenance of the product implies, first of all, the responsibility of the user to comply with all recommendations provided in this document, starting with a daily inspection of the external condition of the product before operation.

Daily inspection of the product is a very important procedure. With its help, you can timely detect any changes in the appearance of the product (deformation of individual parts, deformation of the structure as a whole or part of it, damage to parts, cracks of welds, as well as the absence of fastening of parts of the product, etc.).

Before using the product, check its operability, absence of damage, dirt on the product, sharp edges, reliability of fixing the structure, absence of unnecessary objects on the surface of the site. If the product is damaged, fully or partially inoperable, or has any other defects, do not use it.

During operation it is also necessary to inspect the condition of the product periodically - the current inspection. It includes an external inspection of the product, checking its operability (in the presence of moving elements - the smoothness of the movement of mechanisms, compliance with operating modes, etc.). Current inspection allows you to detect malfunctions caused by the operation of equipment, climatic conditions, acts of vandalism and other factors, until they reach a critical level and the destruction of the product. The current inspection is carried out in order to detect foreign objects that may threaten the user and lead to violations of the functioning of the product. The frequency of the current inspection is set by the owner taking into account the operating conditions. If you do not have sufficient technical knowledge and skills to conduct such inspections, we recommend you to contact the authorized specialists of the manufacturer in order to obtain advice.

Every three months, a scheduled inspection should be carried out, which primarily concerns the foundation part, load-bearing elements and connection nodes of elements (their integrity and degree of deterioration).

The main annual inspection must be carried out annually by authorised specialists of the manufacturer. During the inspection, the technical condition of the equipment shall be assessed for compliance with safety requirements. The degree of deterioration and damage to wooden elements and their ability to withstand the applied loads, damage, corrosion of metal elements and the impact of these factors on the safety of the product are determined. The inspection also helps to identify the impact of repairs, if any, on the safety of the equipment. Based on the results of the inspection, a maintenance procedure is carried out to eliminate the identified discrepancies in the product's operation. This procedure includes assessing the condition of parts and assemblies, replacing worn parts, and restoring the integrity of protective coatings. The results of the inspections, as well as the procedures carried out as a result of the inspection and maintenance of the product must be properly documented in the Registration Journal, which is an integral part of this passport. The owner of the product must keep the acts of maintenance of the product, acts of repair work done.

5. INFORMATION ON STORAGE, TRANSPORTATION AND RECYCLING

The product is transported in the manufacturer's packaging by any means of transport that ensures its safety and protection from external factors (rain, snow, sunlight, water, high humidity, etc.).

Information about transportation

Date		Brand, state number of the ca/trailer	Position, full name	Signature
Departure	Arrival			

Before installation, store the product in the original packaging in dry, closed rooms with natural air ventilation.

If it is necessary to transport the product to another location after use, it is recommended to use the manufacturer's packaging.

If long-term storage of the product is required, the following storage rules must be observed (the list of conditions is not complete):

- place the product in a closed dry room with natural ventilation;
- protect the product from external factors (dust, water drops, etc.) with a large plastic bag, leaving space for free air circulation;

- take other measures to preserve the appearance and characteristics of the product during storage.

When removing the product from storage and preparing for installation, follow the next recommendations:

- remove the product from the packaging material (polyethylene, cardboard, other packaging materials);
- remove dust and other contaminants from the surface of the product;
- check completeness and absence of parts damages.

Storage information

Date		Product storage conditions	Full name	Signature
Putting into storage	Removal from storage			

After the end of the equipment's service life, the buyer independently determines the procedure for its use. If you decide to recycle, contact the seller or specialized organizations.

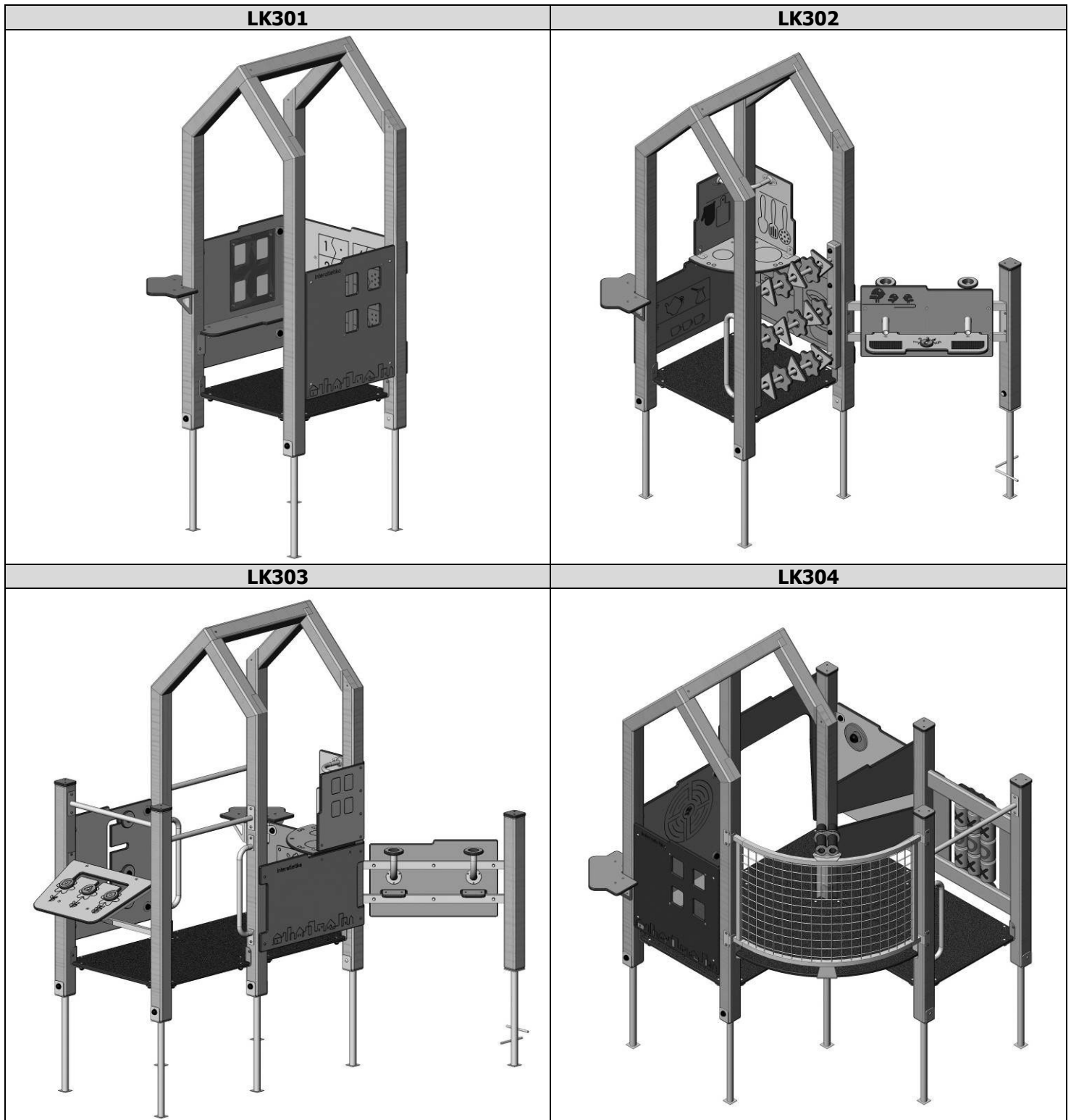
The equipment does not contain harmful impurities and materials that can harm your health and is not subject to special recycling.

6. TECHNICAL CHARACTERISTICS AND ASSEMBLY SCHEMES

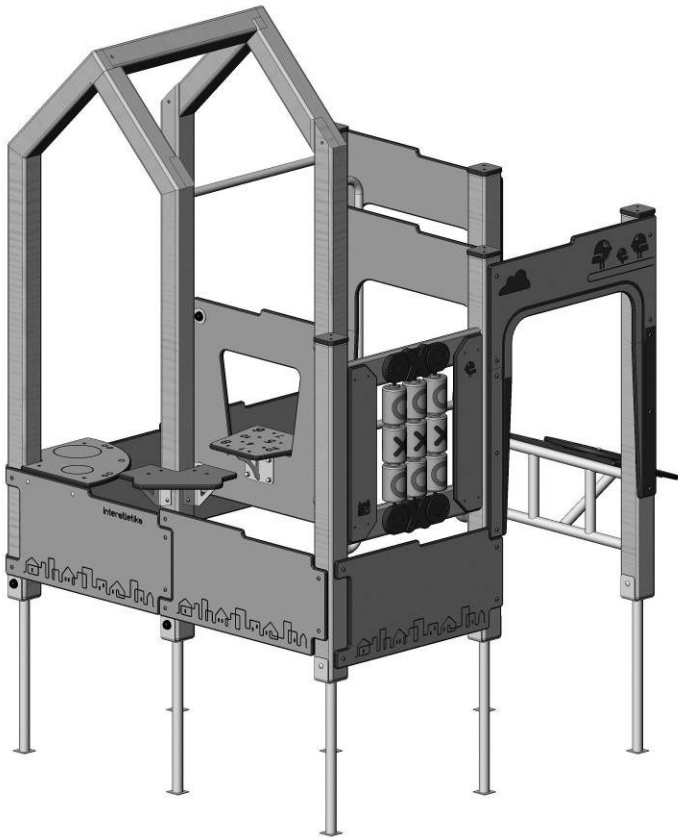
Table №1 – Technical characteristics

	LK301	LK302	LK303	LK304	LK305	LK306	LK307	LK308
Length, mm	963	1540	1540	1647	1485	1485	2519	2842
Width, mm	1010	1572	2375	1664	1951	1685	2764	2151
Height, mm	1900	1900	1900	1900	1900	2064	1900	1899
Weight, kg	70,5	86,4	118,2	141,8	132	113,8	177,5	231
Fall height, mm	230	230	230	230	-	480	230	230
Age range, years	from 3 to 7							
Weight limits, kg	to 60							

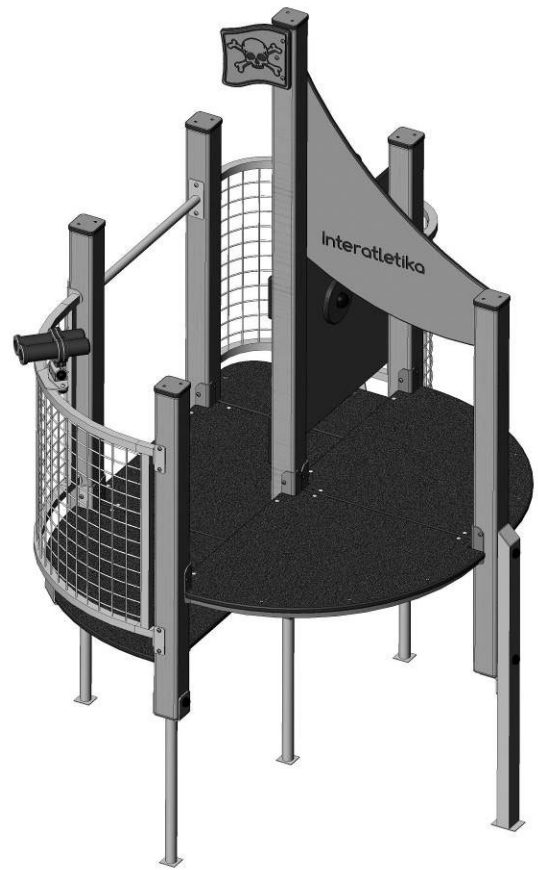
Table №2 – External view



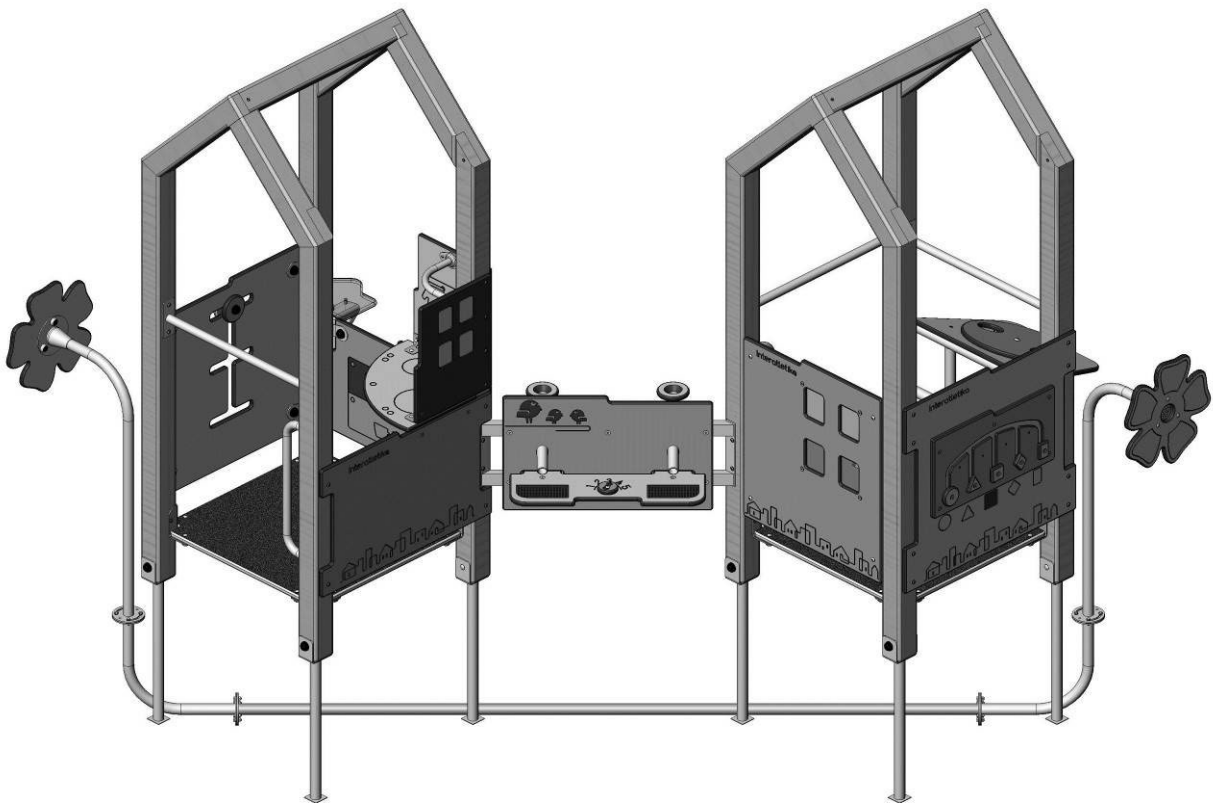
LK305



LK306



LK307



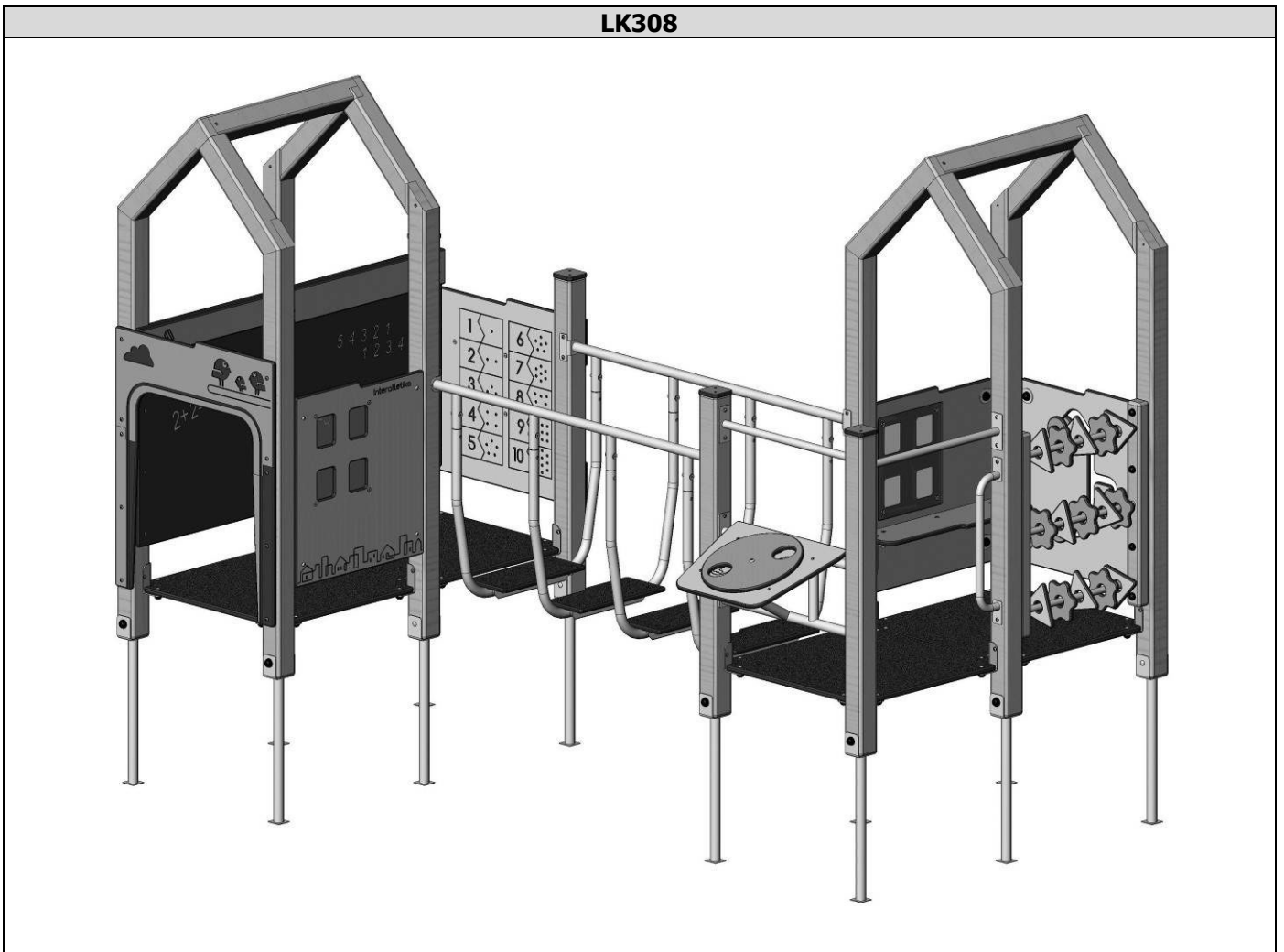
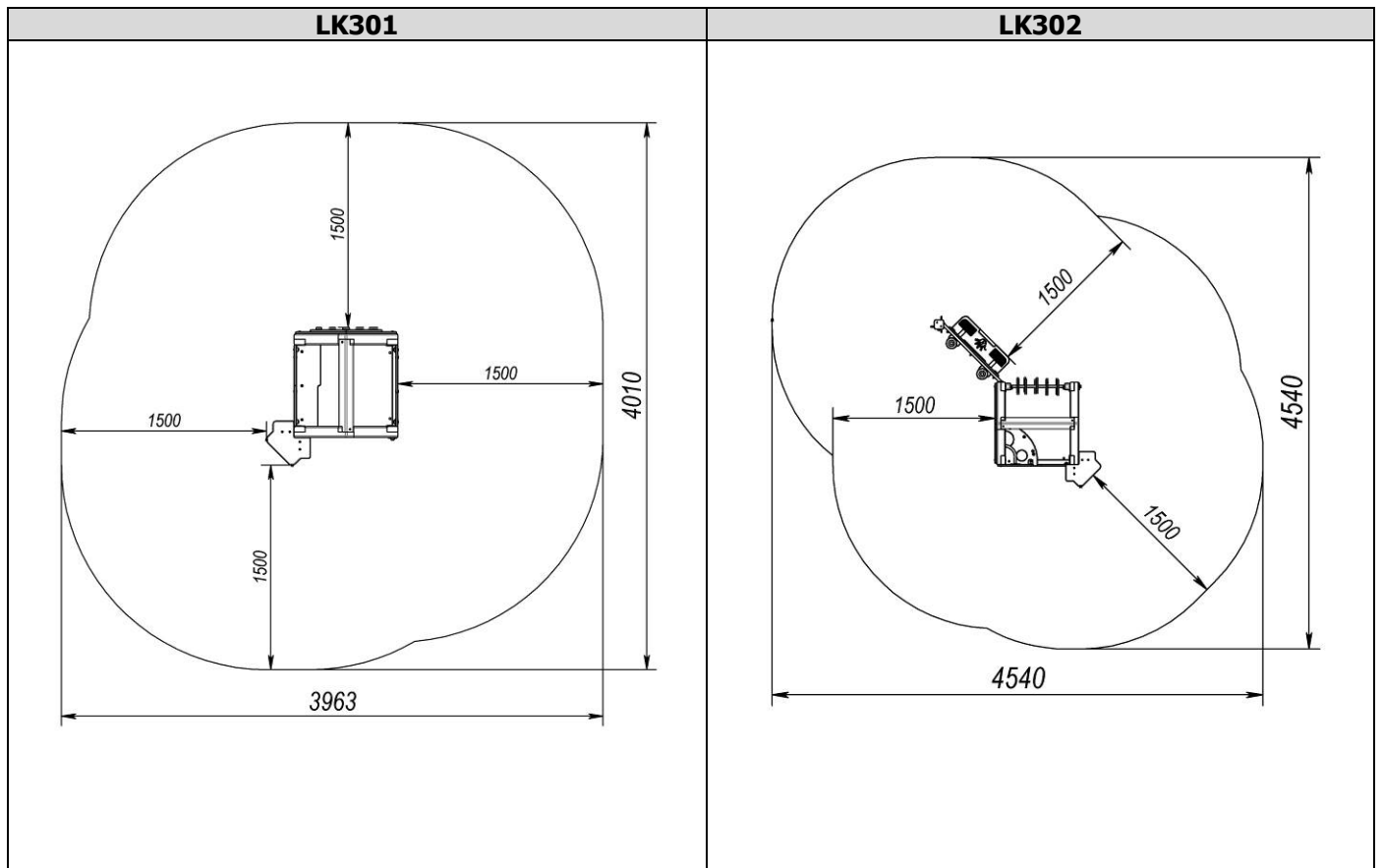


Table №3 – Landing zone



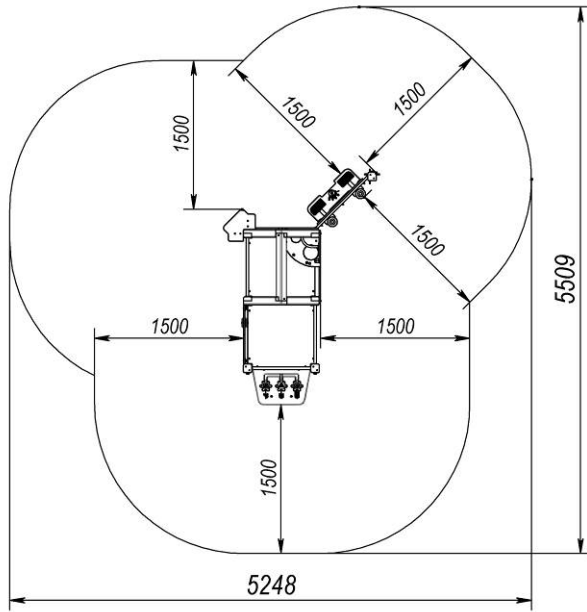
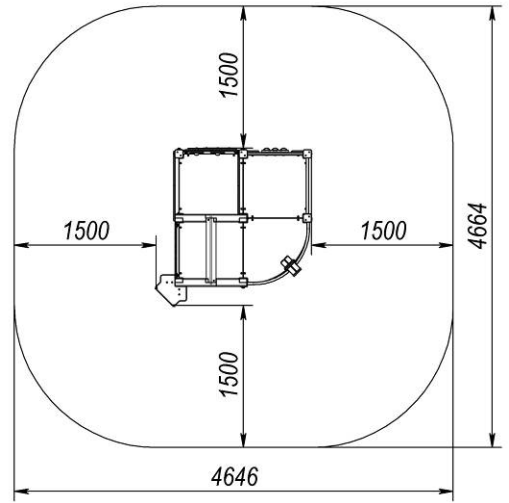
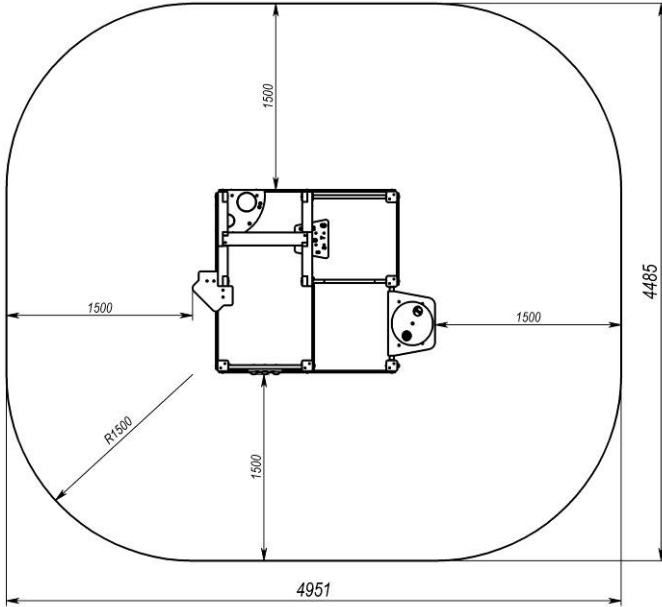
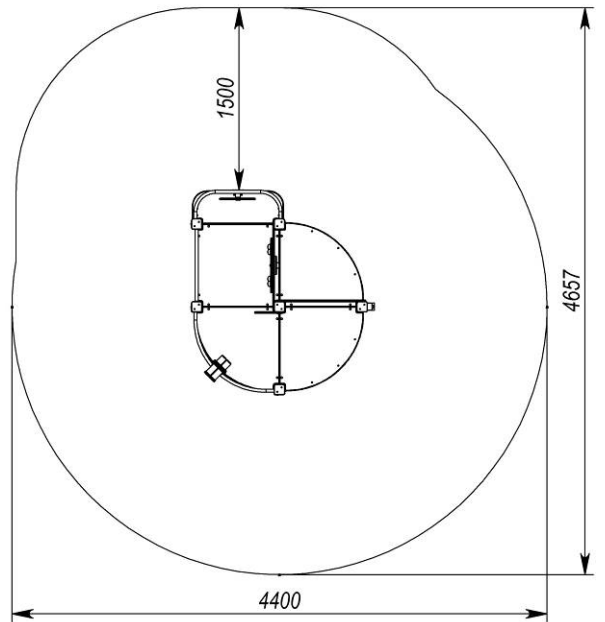
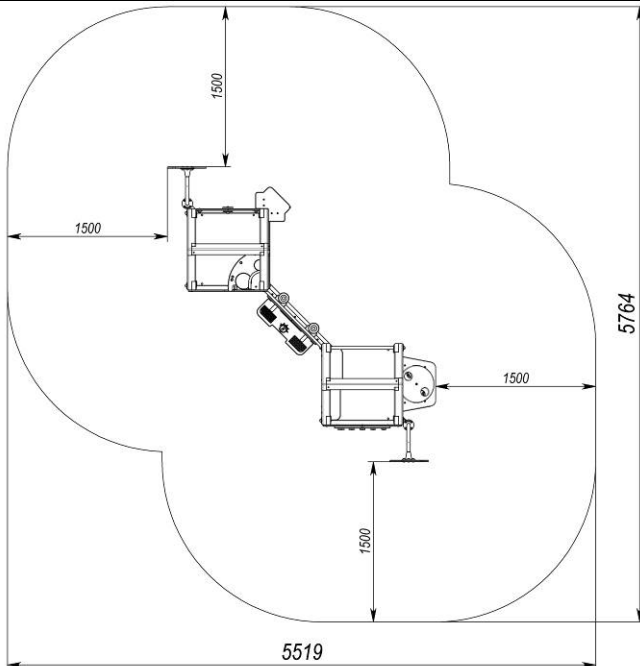
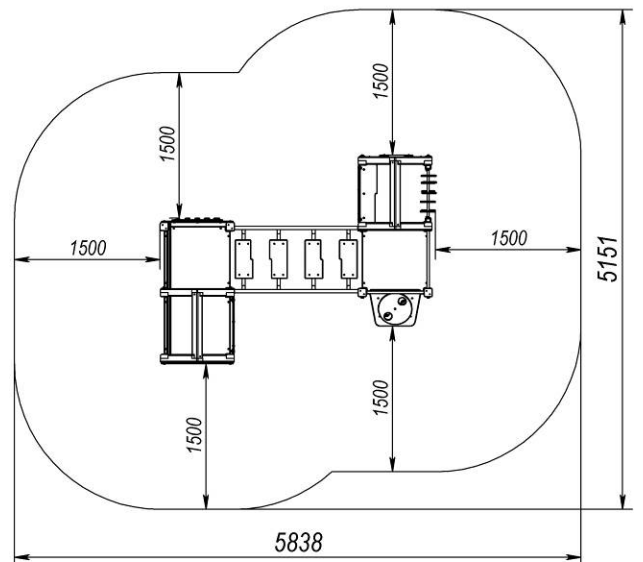
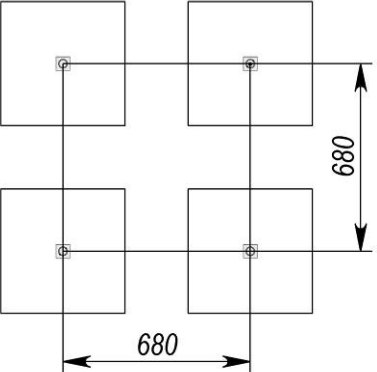
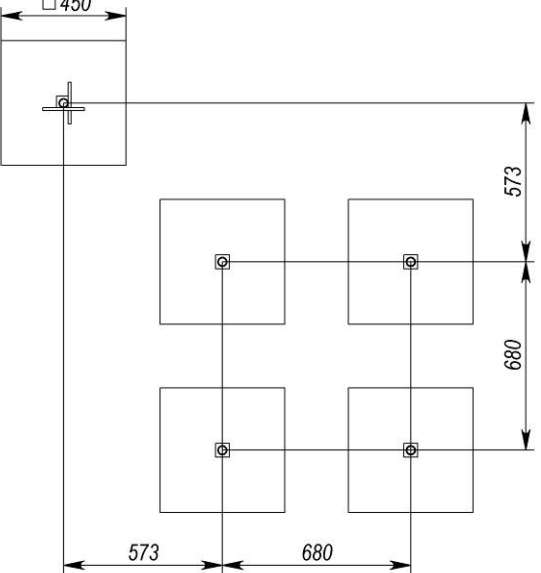
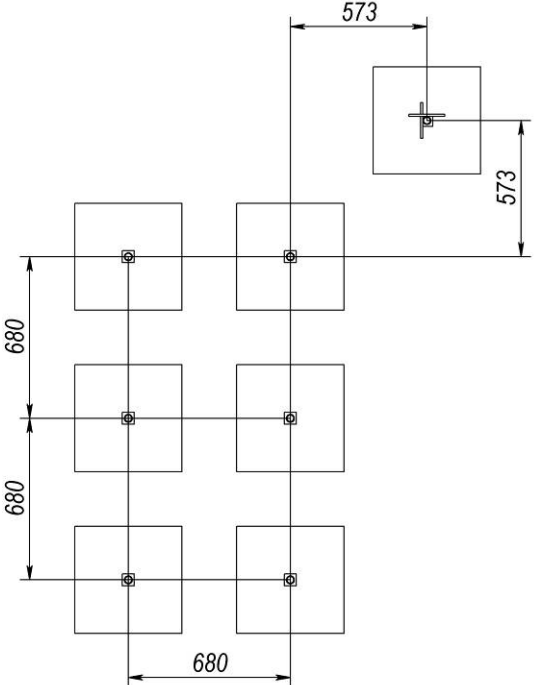
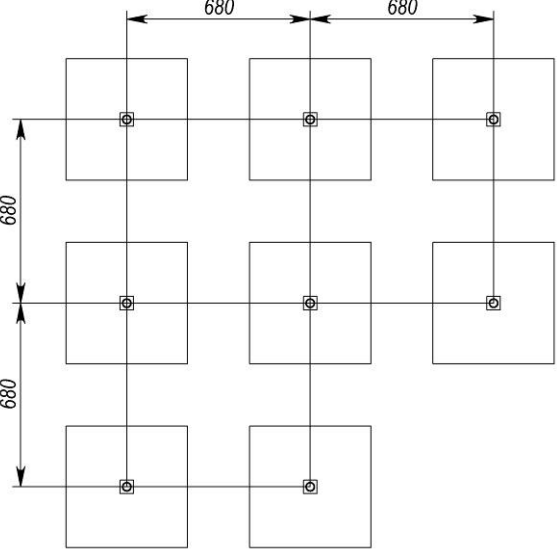
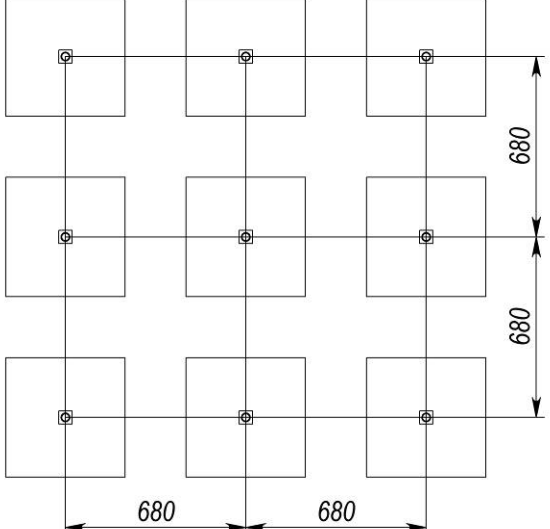
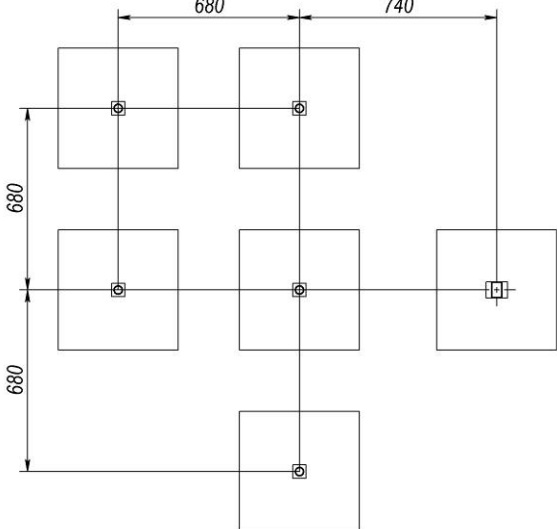
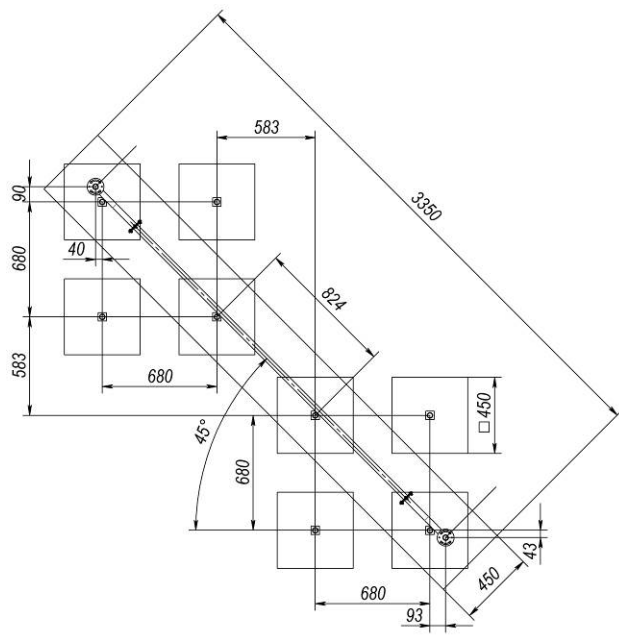
LK303**LK304****LK305****LK306****LK307****LK308**

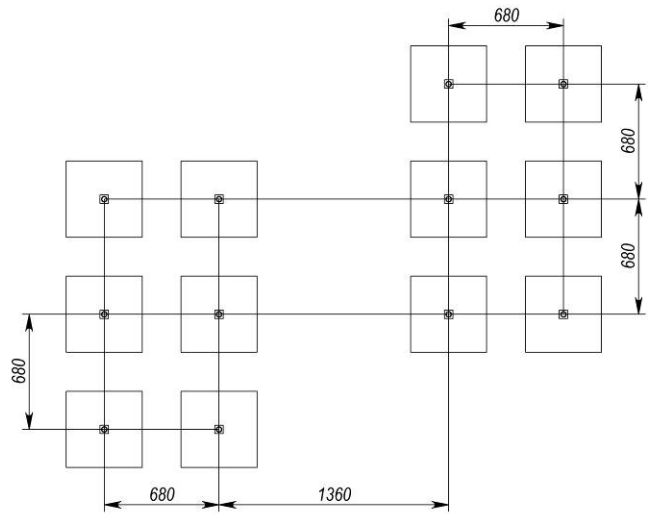
Table №4 – Concreting zone

LK301	LK302
	
LK303	LK304
	
LK305	LK306
	

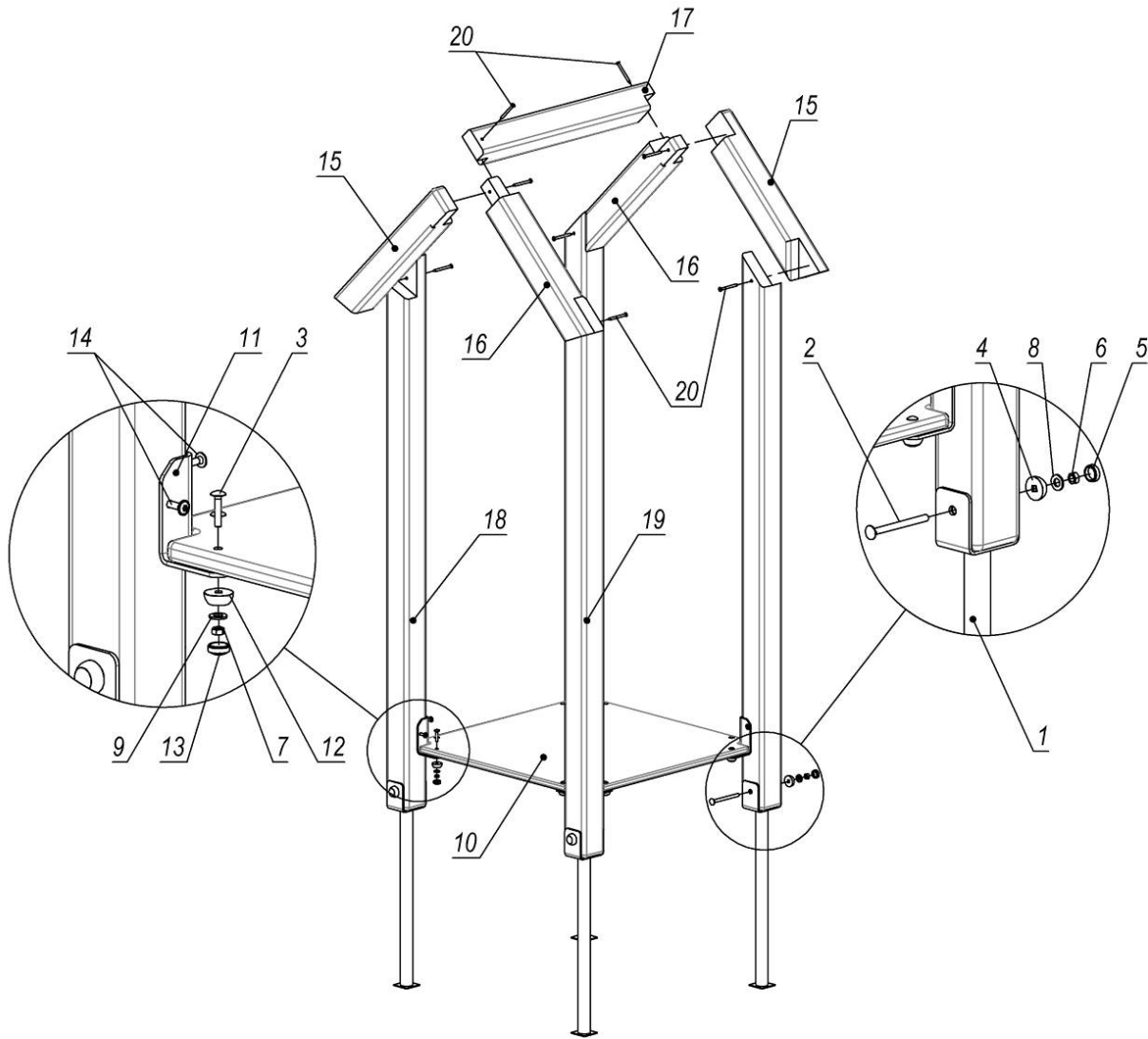
LK307



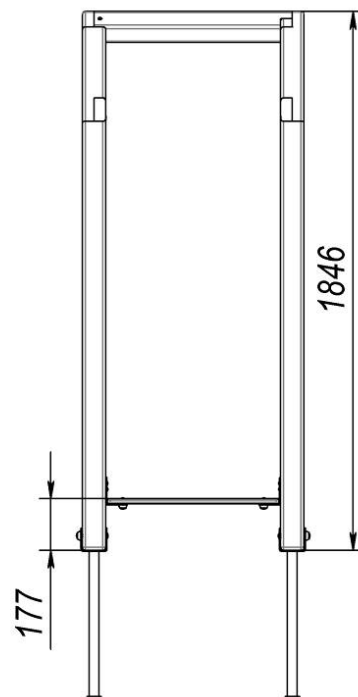
LK308



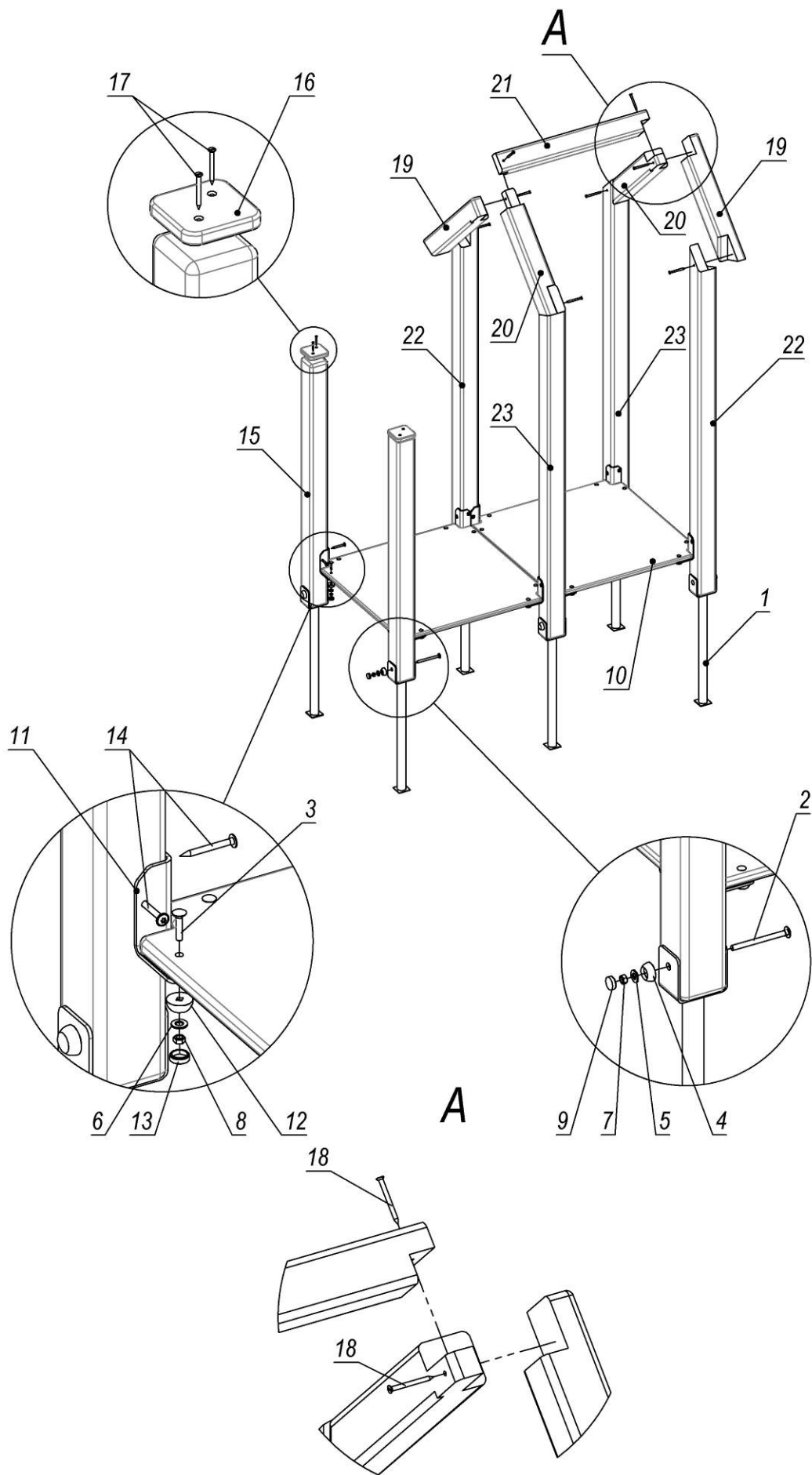
Assembly schemes



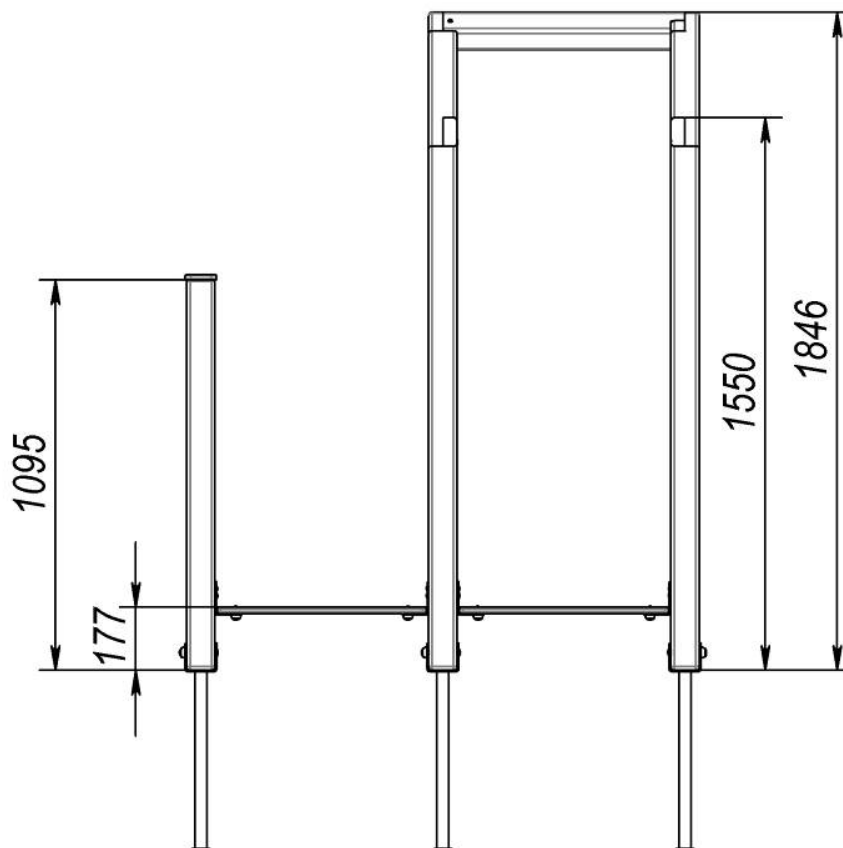
Pos.	Name	Weight, kg	Q-ty
1	Embedded element (series Mini)	2	4
2	Bolt M8*100 GOST7802		4
3	Bolt M6*30 GOST7802		8
4	Cup M8		4
5	Cap M8		4
6	Nut M8 GOST5915		4
7	Nut M6 GOST5915		8
8	Washer 10 GOST11371		4
9	Washer 8 GOST11371		8
10	Site (0.68x0.68)	6	1
11	Platform bracket		4
12	Cup M6		8
13	Cap M6		8
14	Screw 6.0x60 SPAX T-STAR plus (univers.)		8
15	Pediment front	2	2
16	Pediment back	2	2
17	Crossbar 0.68m	2	1
18	Rack 1.55m	6	2
19	Rack 1.55m	6	2
20	Screw 6x70 GOST1145		8



Picture 1 – Assembly scheme of the house 0,76x0,76



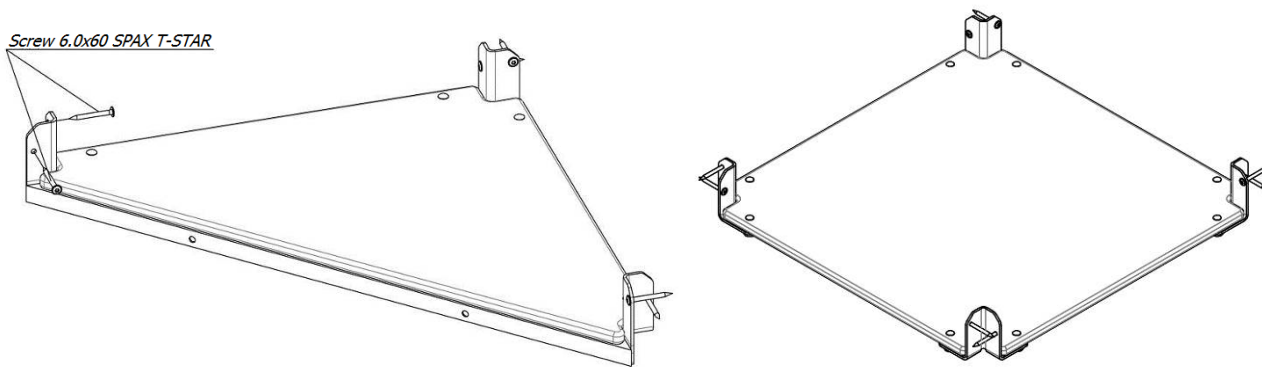
Picture 2 – Assembly scheme of the house 0,76x1,44



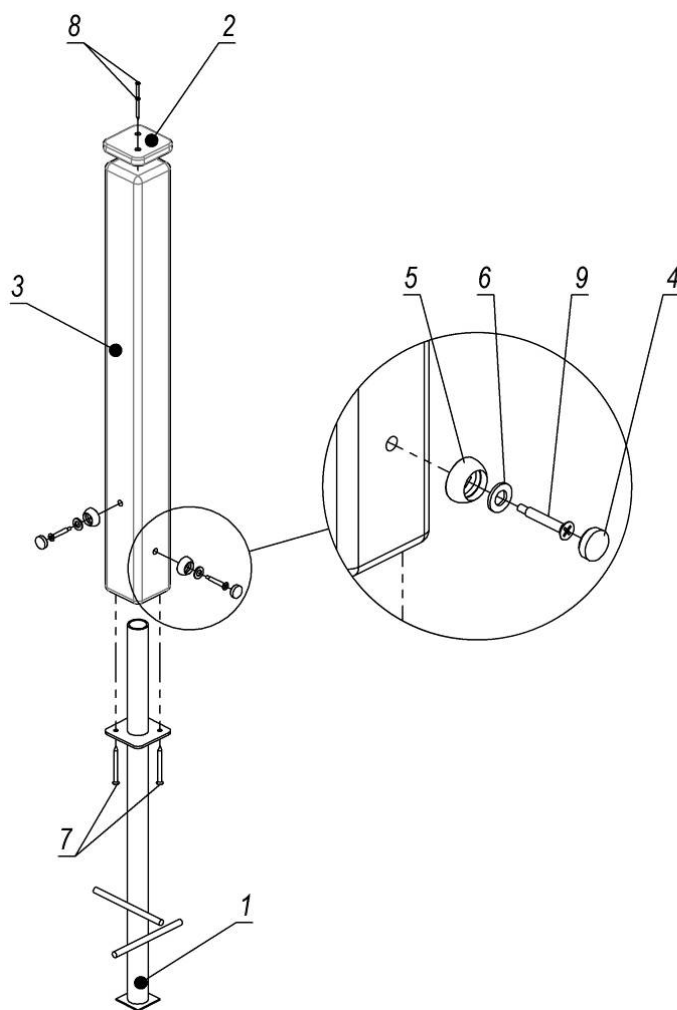
Pos.	Name	Weight, kg	Q-ty
1	Embedded element	2	6
2	Bolt M8*100 GOST7802		6
3	Bolt M6*30 GOST7802		16
4	Cup M8		6
5	Washer 10 GOST11371		6
6	Washer 8 GOST11371		16
7	Nut M8 GOST5915		6
8	Nut M6 GOST5915		16
9	Cap M8		6
10	Site (0.68x0.68)	6	2
11	Platform bracket		8
12	Cup M6		16
13	Cap M6		16
14	Screw 6.0x60 SPAX T-STAR plus (univers.)		16
15	Rack 1.1m	4	2
16	Cap on bar		2
17	Screw 4x40 GOST1145		4
18	Screw 6x70 GOST1145		8
19	Pediment front	2	2
20	Pediment back	2	2
21	Bar 0.68m	2	1
22	Rack 1.55m	6	2
23	Rack 1.55m	6	2

Picture 2.1 – Complete set of the house 0,76x1,44

Screw 6.0x60 SPAX T-STAR

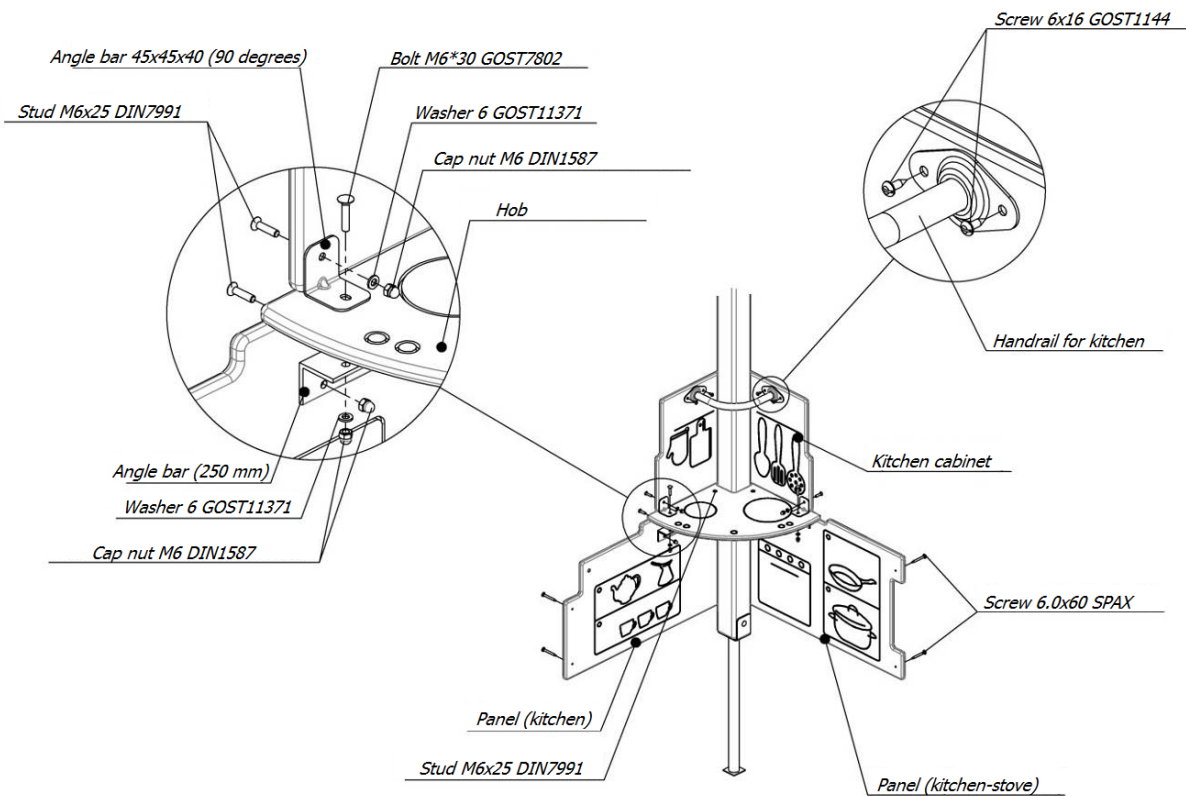


Picture 3 – Assembly scheme of the platforms

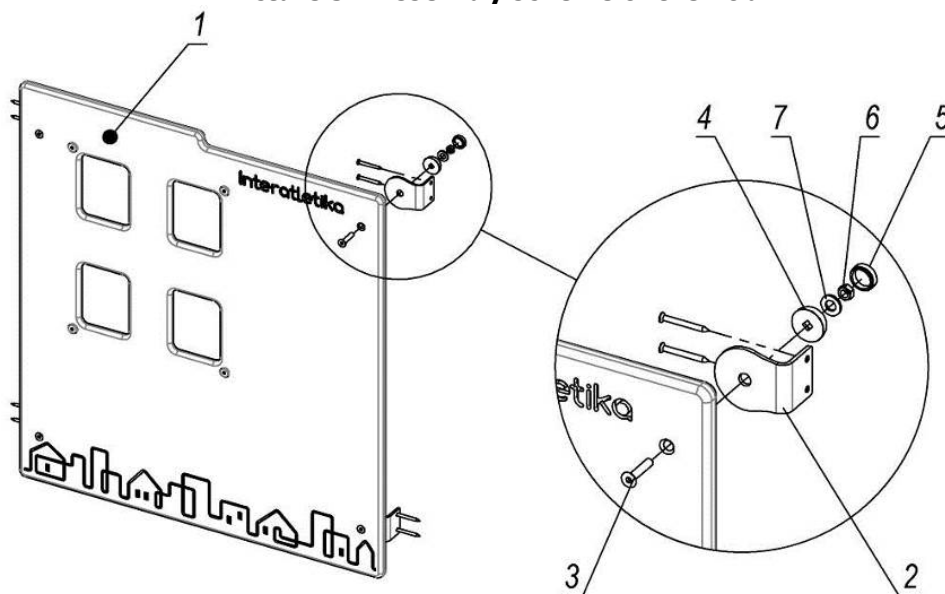


Pos.	Name	Weight, kg	Q-ty
1	Support	2	1
2	Cap on bar (Mini)		1
3	Support	3	1
4	Cap M8		2
5	Cup M8		2
6	Washer 10 GOST11371		2
7	Screw 6x70 GOST1145		2
8	Screw 4x40 GOST1145		2
9	Screw with a drill 6.3x45 DIN7504P	11	2

Picture 4 – Assembly scheme of the support with a bar

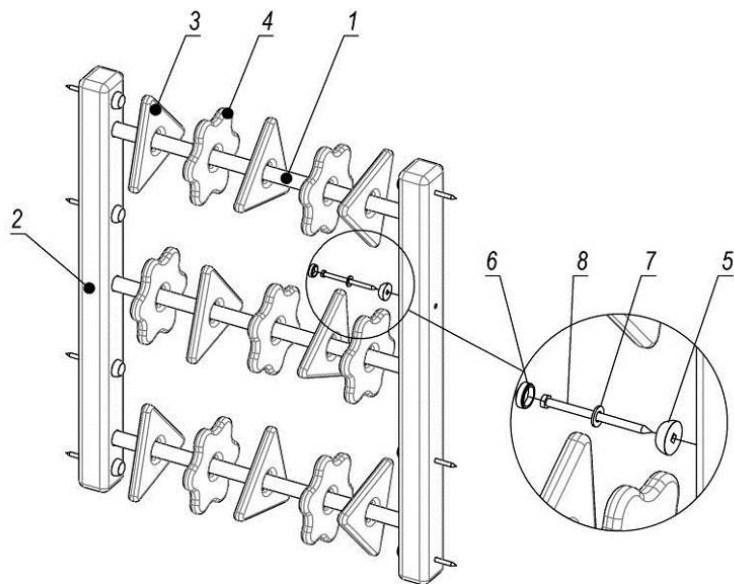


Picture 5 – Assembly scheme of the hob



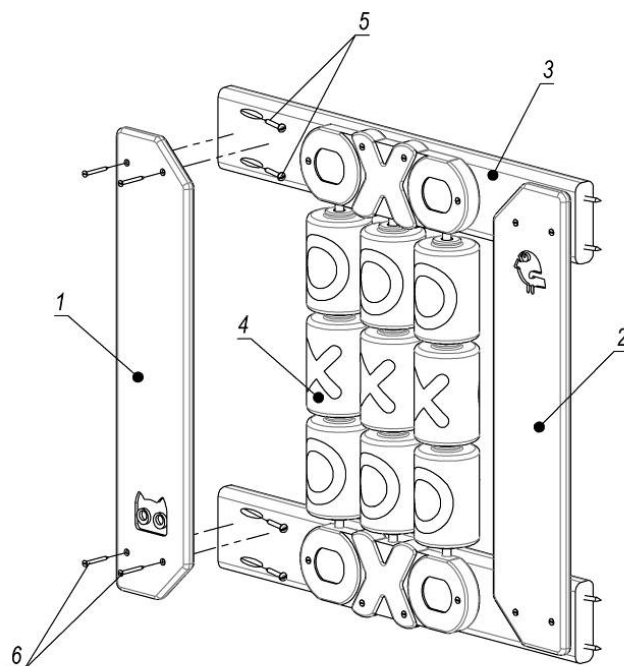
Pos.	Name	Weight, kg	Q-ty
1	Panel 0.6m "Window" left	5	1
2	Corner bracket 40x60		4
3	Stud M6*30 DIN7991	7	4
4	Cup M6		4
5	Cap M6		4
6	Nut M6 GOST5915		4
7	Washer 8 GOST11371		4
8	Screw 4x40 GOST1145		8

Picture 6 – Panel fastening scheme (fastening of other panels is identical)



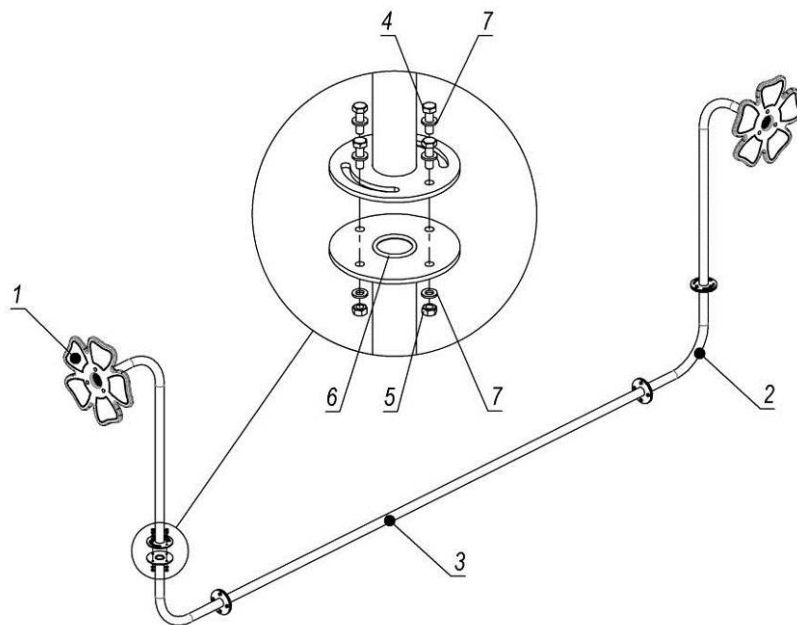
Pos.	Name	Weight, kg	Q-ty
1	Counting frame guide		3
2	Counting frame board	1	2
3	Triangle		8
4	Flower		7
5	Cup M6		8
6	Cap M6		8
7	Washer 8 GOST11371		8
8	Screw 6x90 GOST11473		8

Picture 7 – Assembly scheme of the counting frame



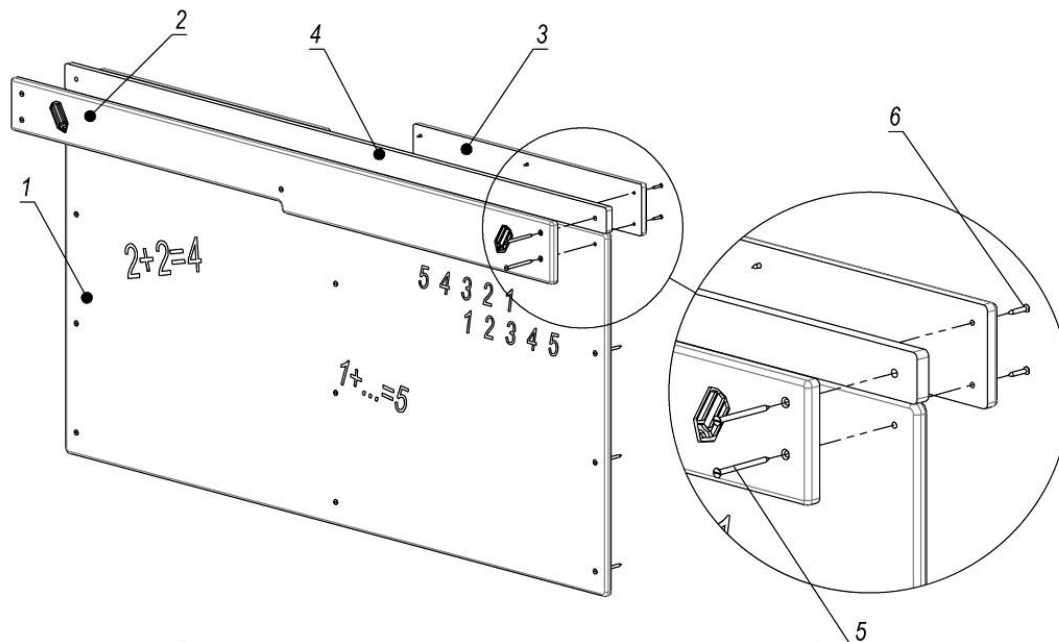
Pos.	Name	Weight, kg	Q-ty
1	Side cover plate		1
2	Side cover plate		1
3	Board 30*100*598	1	2
4	Tic-tac-toe	1	1
5	Screw 5x40 GOST1144		8
6	Screw 4x40 GOST1145		8

Picture 8 – Assembly scheme of the panel «Tic-tac-toe»



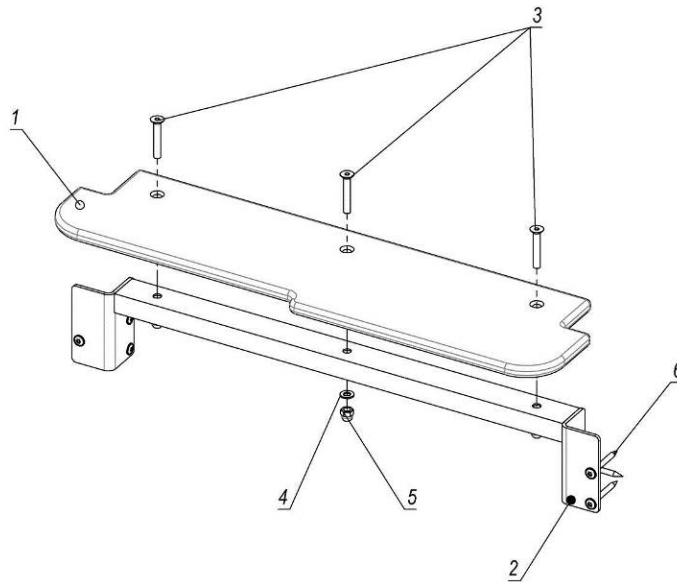
Pos.	Name	Weight, kg	Q-ty
1	Conversation rack	4	2
2	Adapter	2	2
3	Communication tube	5	1
4	Bolt M6*20 GOST 7798		16
5	Nut M6 GOST5915		16
6	Circle 028-033-30 GOST 9833-73 (27.5x3)		4
7	Washer 6 GOST11371		32

Picture 9 – Assembly scheme of the intercom



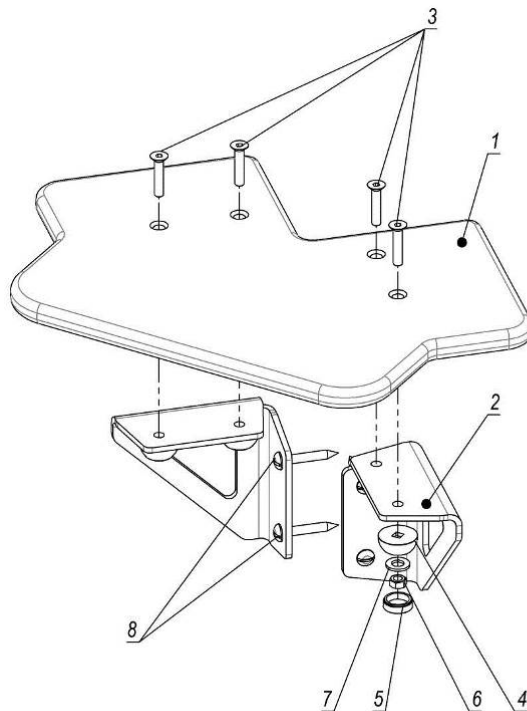
Pos.	Name	Weight, kg	Q-ty
1	Drawing board (0.7x1.42)	11	1
2	Board rim (0.12x1.42)	2	1
3	Back cover plate (0.6x0.1)		2
4	Lining (1.42x0.5)		1
5	Screw 5x70 GOST1145		14
6	Screw 4x25 GOST1145		12

Picture 10 – Assembly scheme of the drawing board



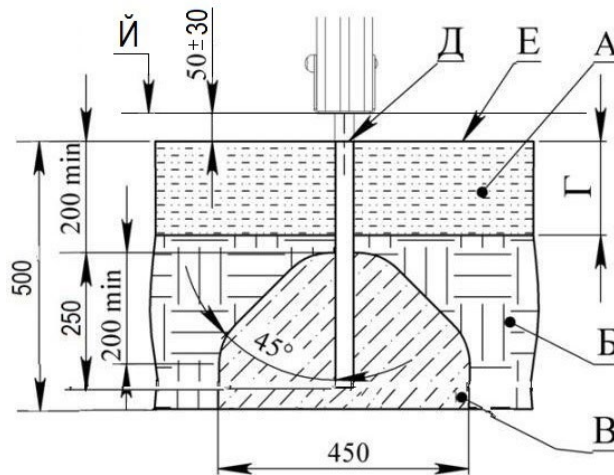
Pos.	Name	Weight, kg	Q-ty
1	Seat	1	1
2	Bench frame	2	1
3	Stud M8x50 DIN7991	22	3
4	Washer 8 GOST11371		3
5	Cap nut M8 DIN1587		3
6	Screw 6.0x60 SPAX T-STAR plus (univers.)		6

Picture 11 – Seat assembly scheme



Pos.	Name	Weight, kg	Q-ty
1	Table		1
2	Table angle bar		2
3	Stud M6x30 DIN7991	7	4
4	Cup M6		4
5	Cap M6		4
6	Nut M6 GOST5915		4
7	Washer 8 GOST11371		4
8	Screw 6x40 GOST1144		4

Picture 12 – Scheme of fastening the table



For beams support and other elements

- A – shock-absorbing coating;
- Б – soil;
- В – concrete;
- Г – depth of the shock-absorbing coating;
- Д – product level plane;
- Е – game surface;
- Й – thread.

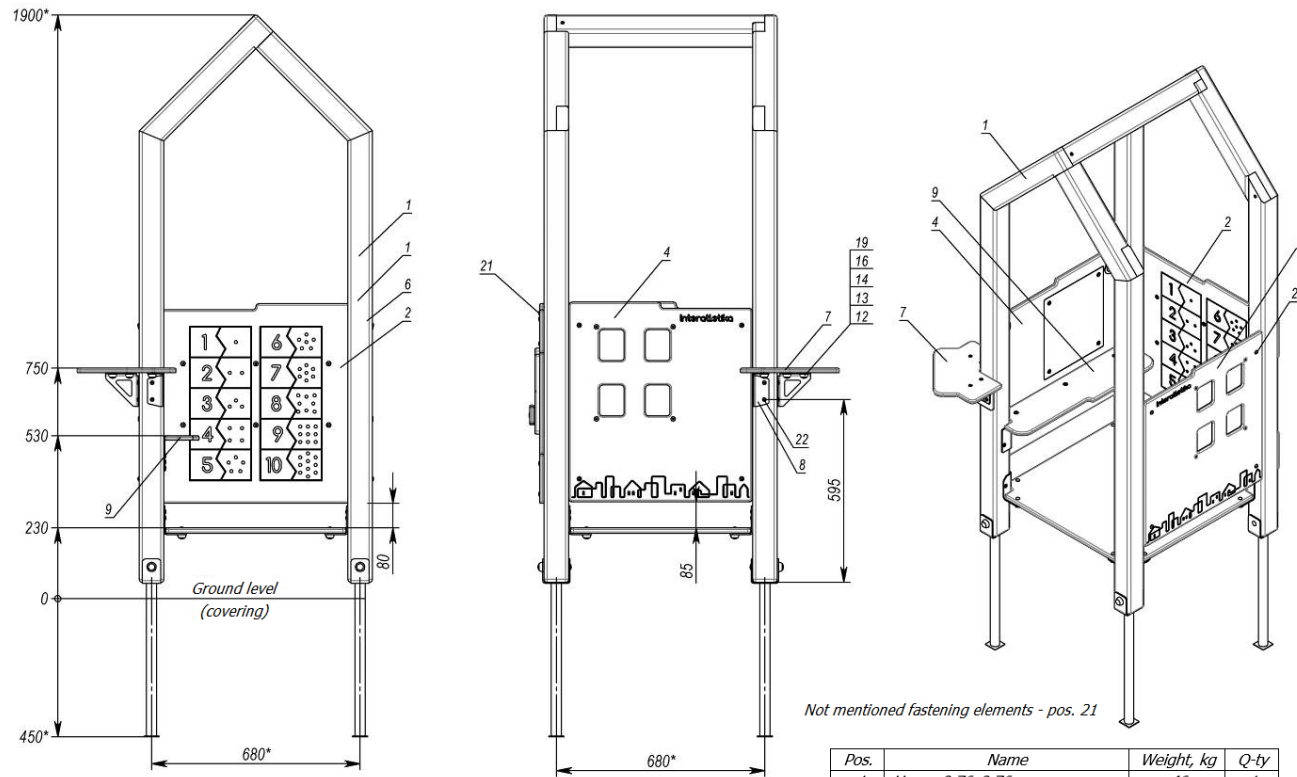
Examples of impact-absorbing coatings

Material ¹	Description	Minimal depth, mm	Fall height, mm
Turf			≤ 1000
Tree bark	grain size 20-80 mm	200	≤ 2000
		300	≤ 3000
Sawdust	grain size 5-30 mm	200	≤ 2000
		300	≤ 3000
Sand ²	grain size 0.2-2 mm	200	≤ 2000
		300	≤ 3000
Gravel ²	grain size 2-8 mm	200	≤ 2000
		300	≤ 3000
Another material	HIC tested according to EN 1177	According to the test	According to the test

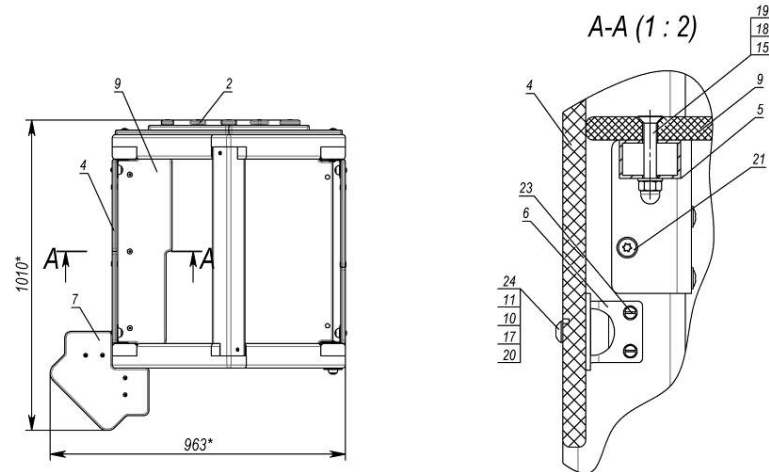
3. Materials are specially made for the playgrounds.
 4. No clay inclusions should be present. Grain size is obtained by sieving through a sieve as in EN 933-1.

Picture 13 - Concreting scheme

LK301 – Play house

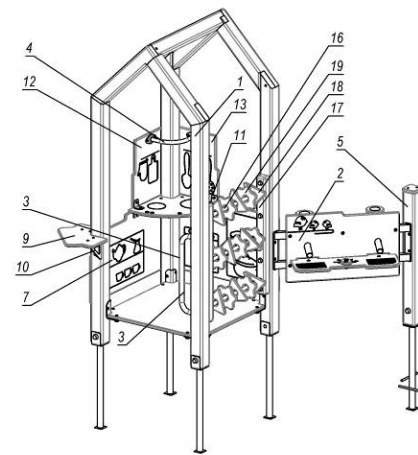
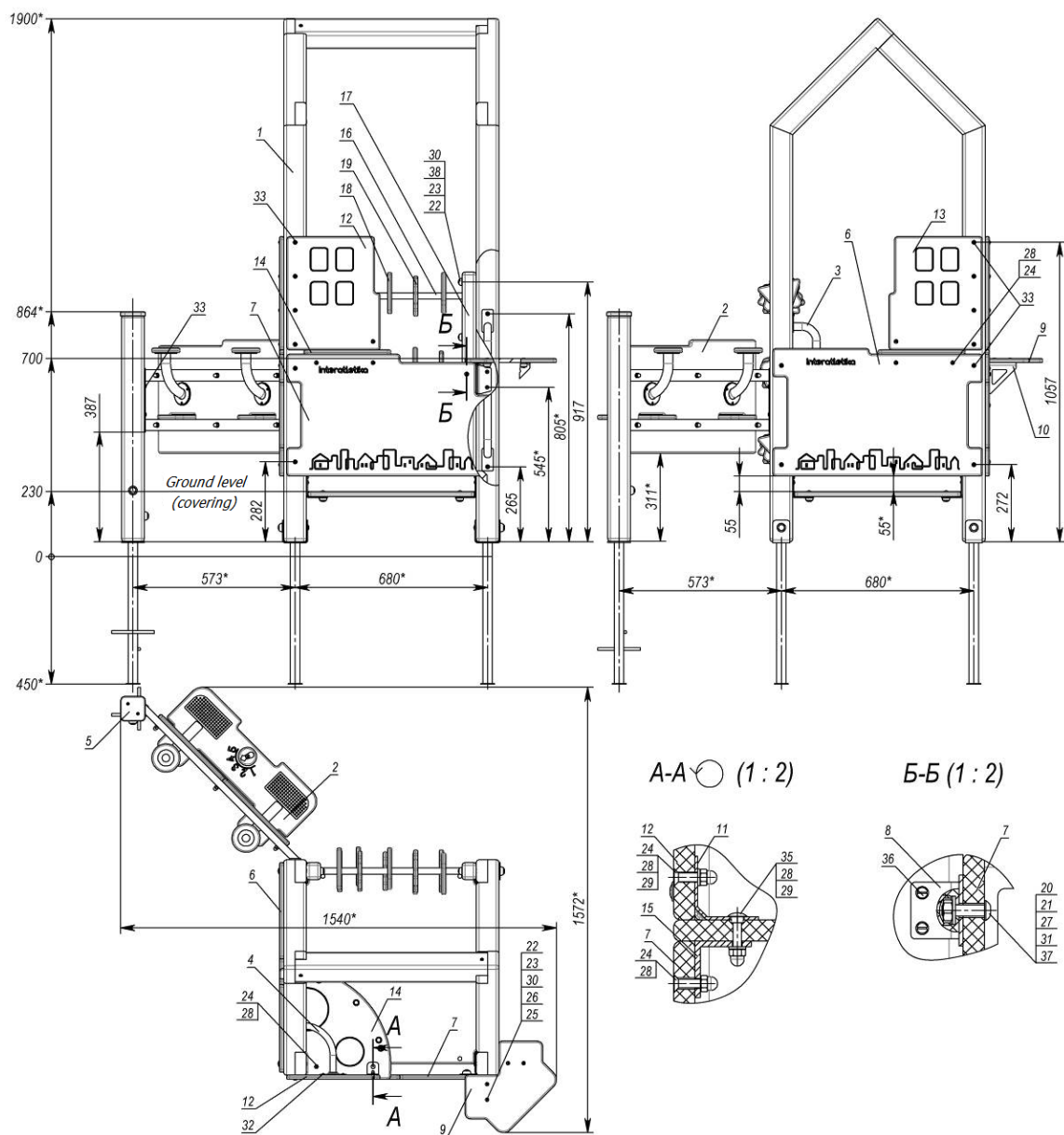


Not mentioned fastening elements - pos. 21



Pos.	Name	Weight, kg	Q-ty
1	House 0.76x0.76	46	1
2	Game panel "School"	8	1
3	Panel 0.6m "Window" right	5	1
4	Panel 0.6m "Window" left	5	1
5	Bench frame	2	1
6	Corner bracket 40x60	8	
7	Table	1	
8	Table angle bar	2	
9	Seat (180x675)	1	1
10	Cap M8	8	
11	Cup M8	8	
12	Cup M6	4	
13	Cap M6	4	
14	Stud M6x30 DIN7991	4	
15	Stud M8x50 DIN7991	3	
16	Nut M6 GOST5915	4	
17	Nut M8 GOST5915	8	
18	Cap nut M8 DIN1587	3	
19	Washer 8 GOST11371	7	
20	Washer 10 GOST11371	8	
21	Screw 6.0x60 SPAX T-STAR plus (univers.)	14	
22	Screw 6x40 GOST1144	4	
23	Screw 4x40 GOST1145	16	
24	Stud M8x30 ISO7380	8	

Picture 14

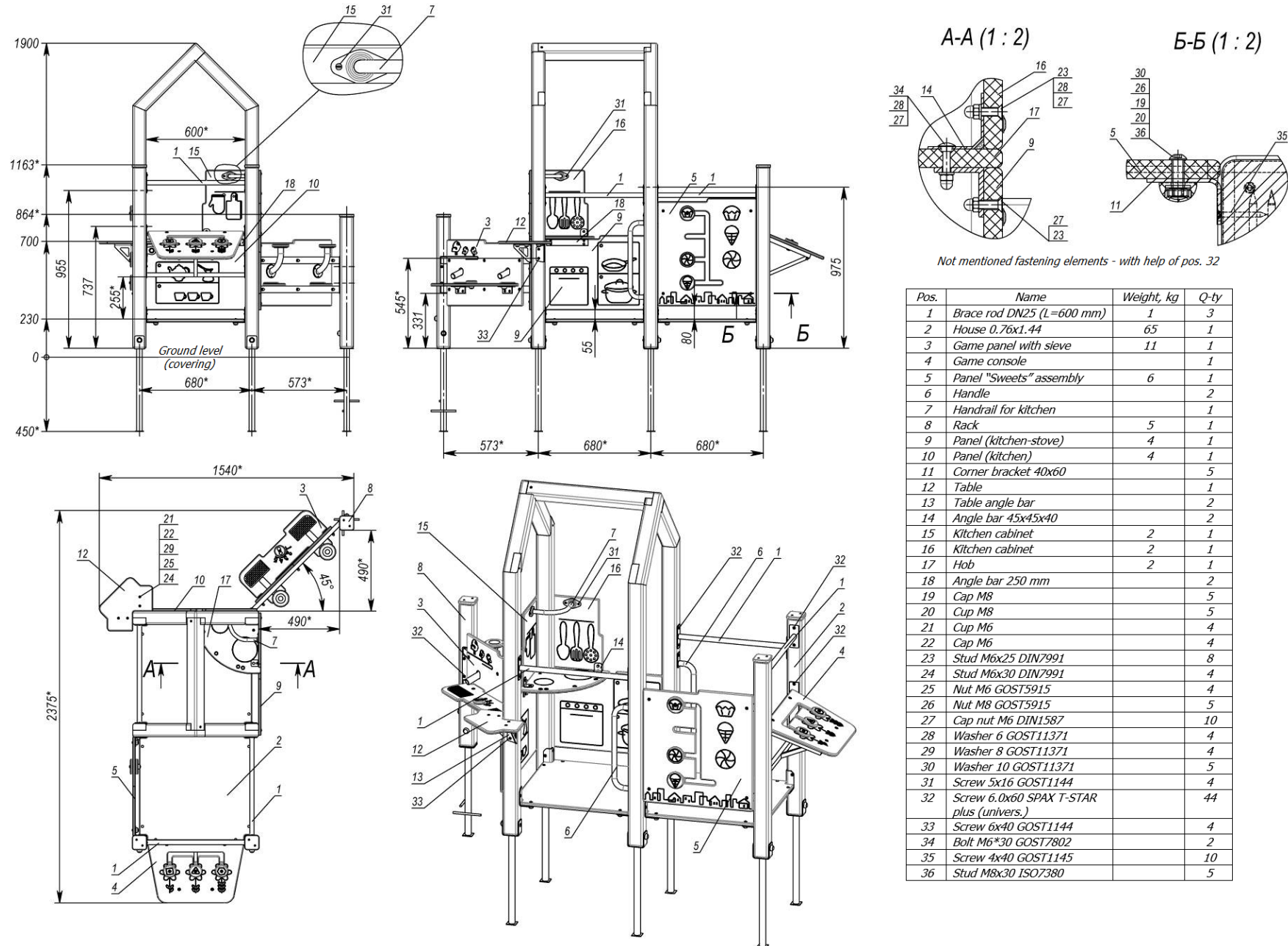


Not mentioned fastening elements - with help of pos. 33

Pos.	Name	Weight, kg	Q-ty
1	House 0,76x0,76	46	1
2	Game panel with sieve	11	1
3	Handle		1
4	Handrail for kitchen		1
5	Rack	5	1
6	Panel (kitchen-stove)	4	1
7	Panel (kitchen)	4	1
8	Corner bracket 40x60		1
9	Table		1
10	Table angle bar		2
11	Angle bar 45x45x40x(90 degrees)		2
12	Kitchen cabinet	2	1
13	Kitchen cabinet	2	1
14	Hob	2	1
15	Angle bar 250 mm		2
16	Counting guide		3
17	Counting board	1	2
18	Triangle		8
19	Flower		7
20	Cap M8		1
21	Cup M8		1
22	Cup M6		12
23	Cap M6		12
24	Stud M6x25 DIN7991		8
25	Stud M6x30 DIN7991		4
26	Nut M6 GOST5915		4
27	Nut M8 GOST5915		1
28	Cap nut M6 DIN1587		10
29	Washer 6 GOST11371		4
30	Washer 8 GOST11371		12
31	Washer 10 GOST11371		1
32	Screw 5x16 GOST1144		4
33	Screw 6,0x60 SPAX T-STAR plus (univers.)		22
34	Screw 6x40 GOST1144		4
35	Bolt M6*30 GOST7802		2
36	Screw 4x40 GOST1145		2
37	Stud M8x30 ISO7380		1
38	Screw 6x90 GOST11473		8

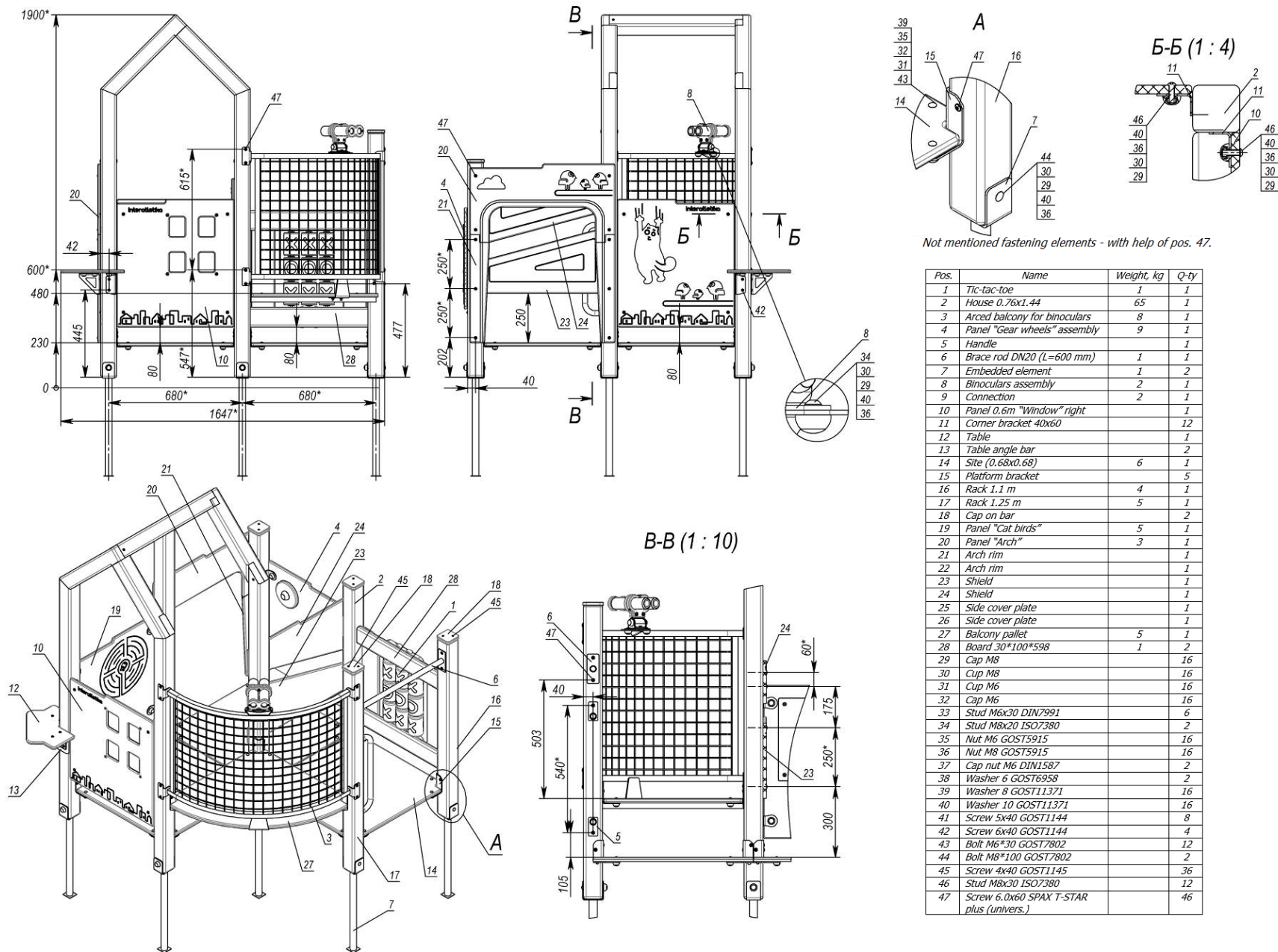
Picture 15

LK303 – House «Baby land»



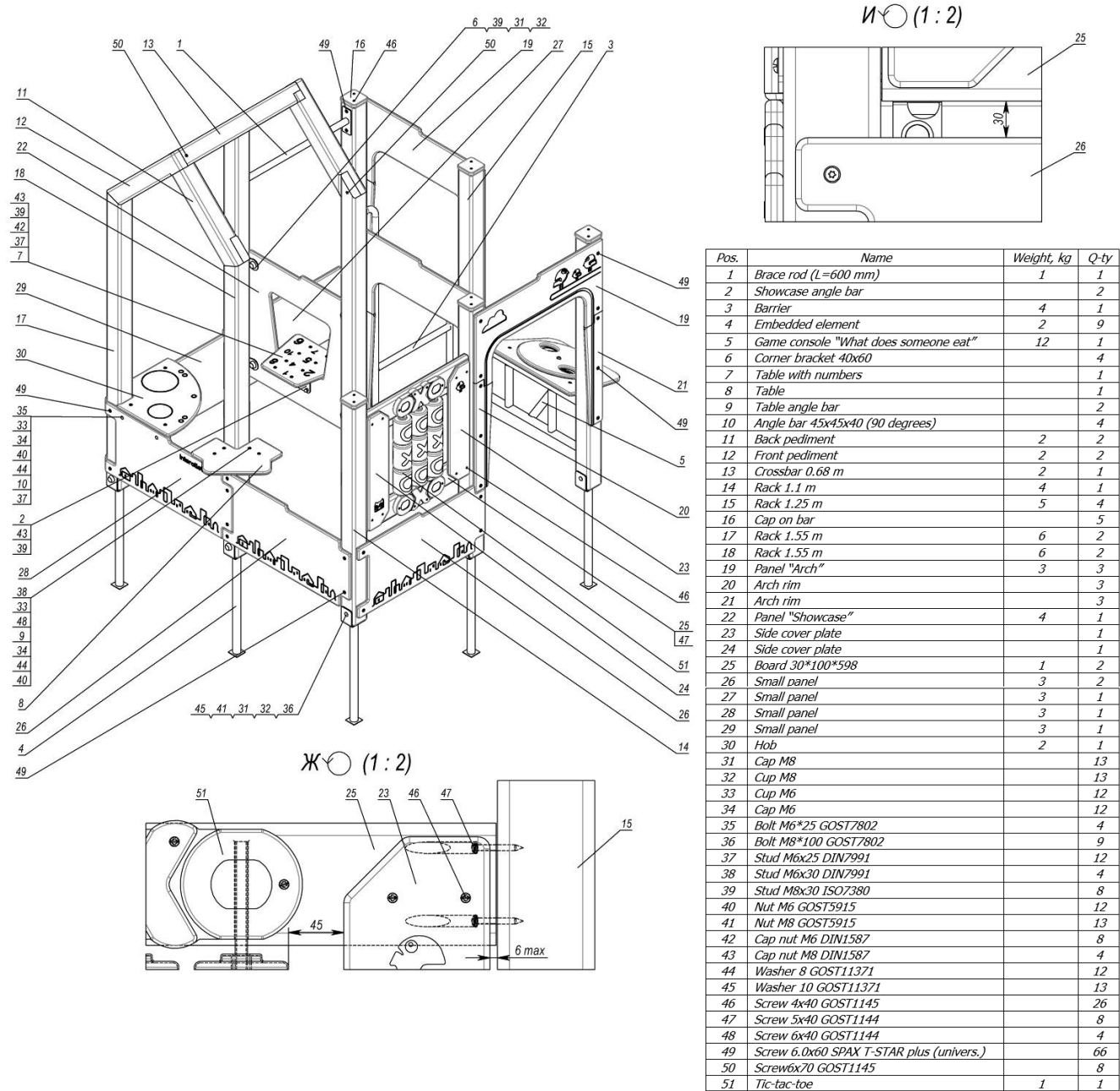
Picture 16

LK304 – House-gazebo «Mega brain»

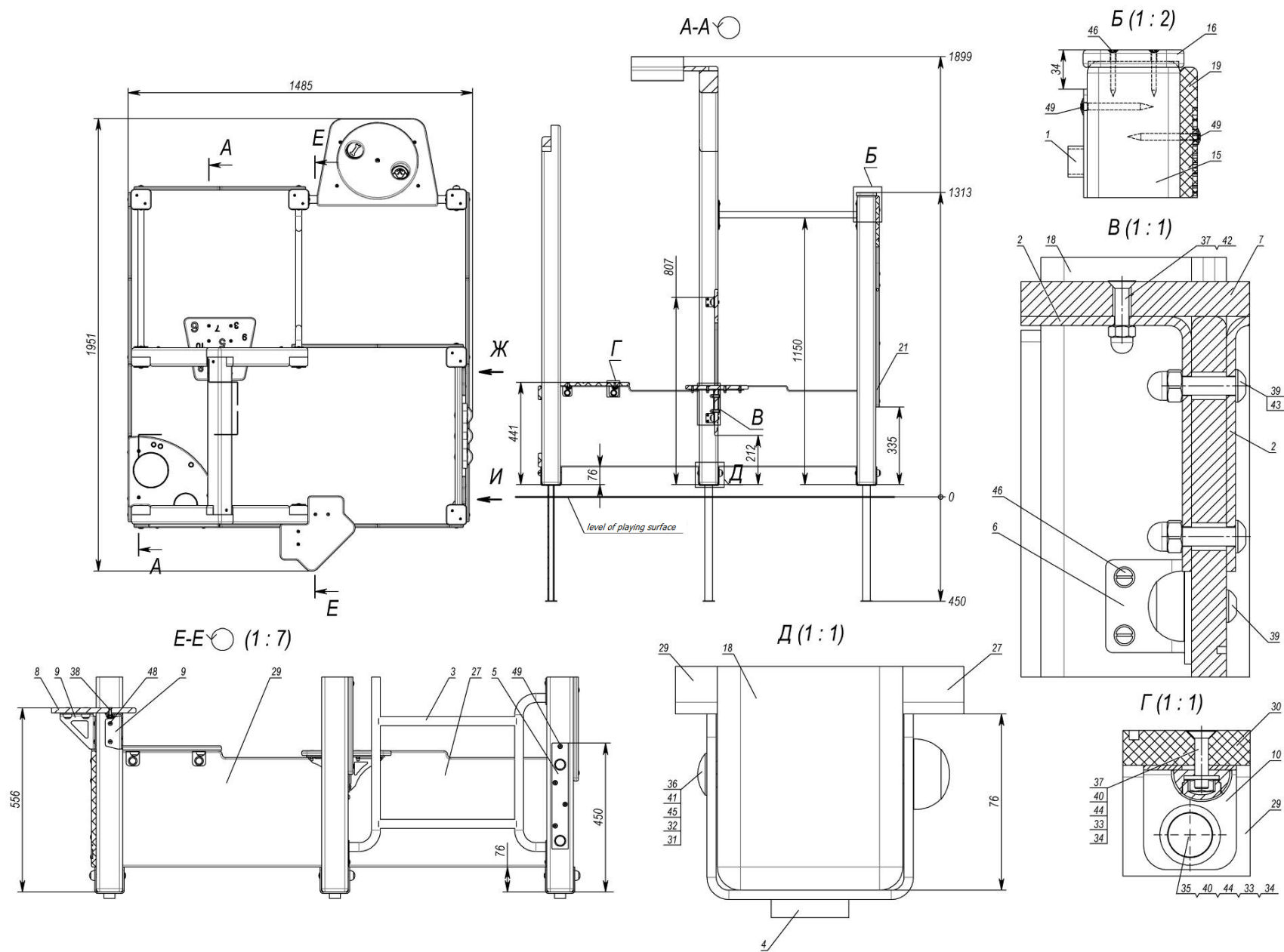


Picture 17

LK305 – House - labyrinth «Secret path»

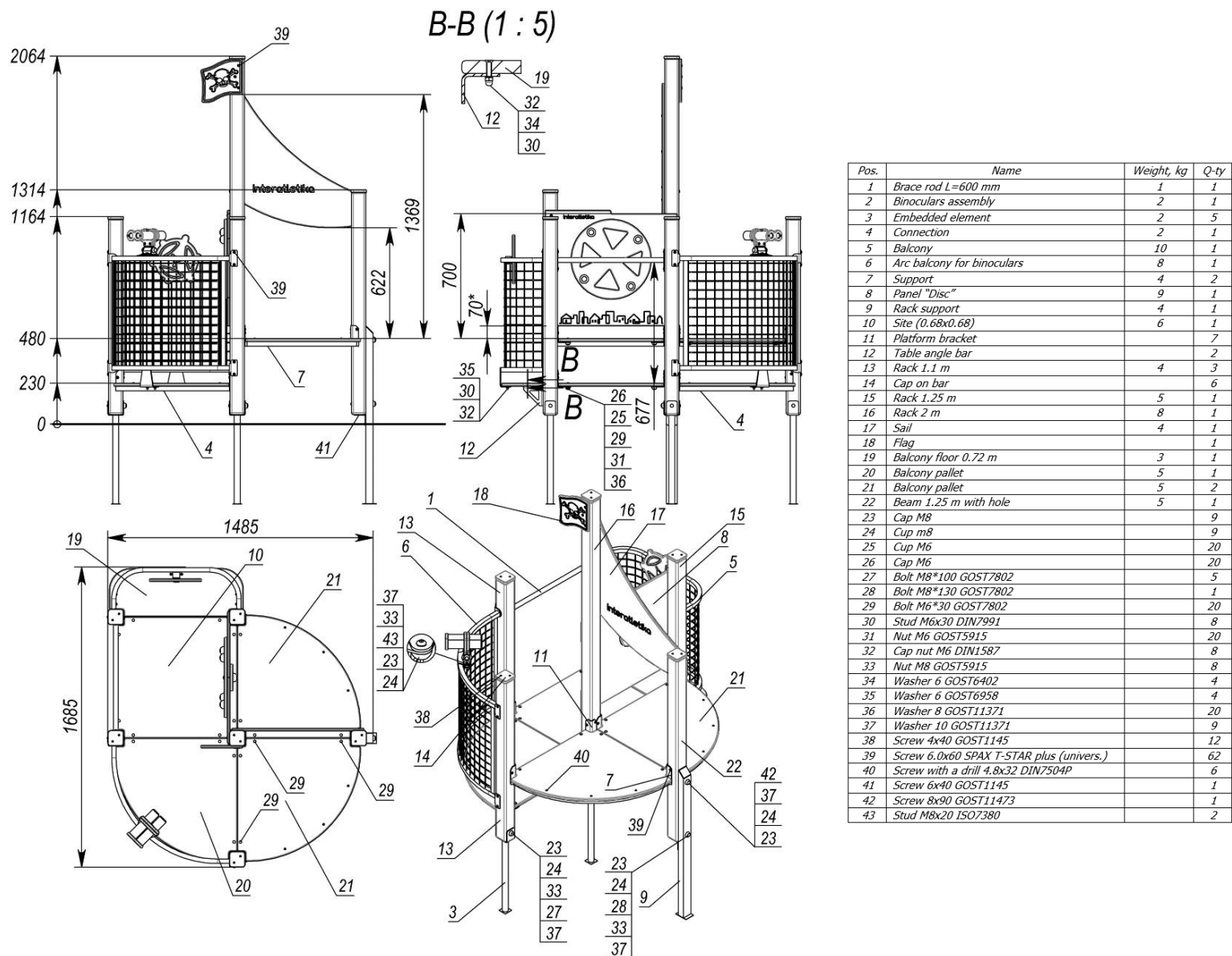


Picture 18



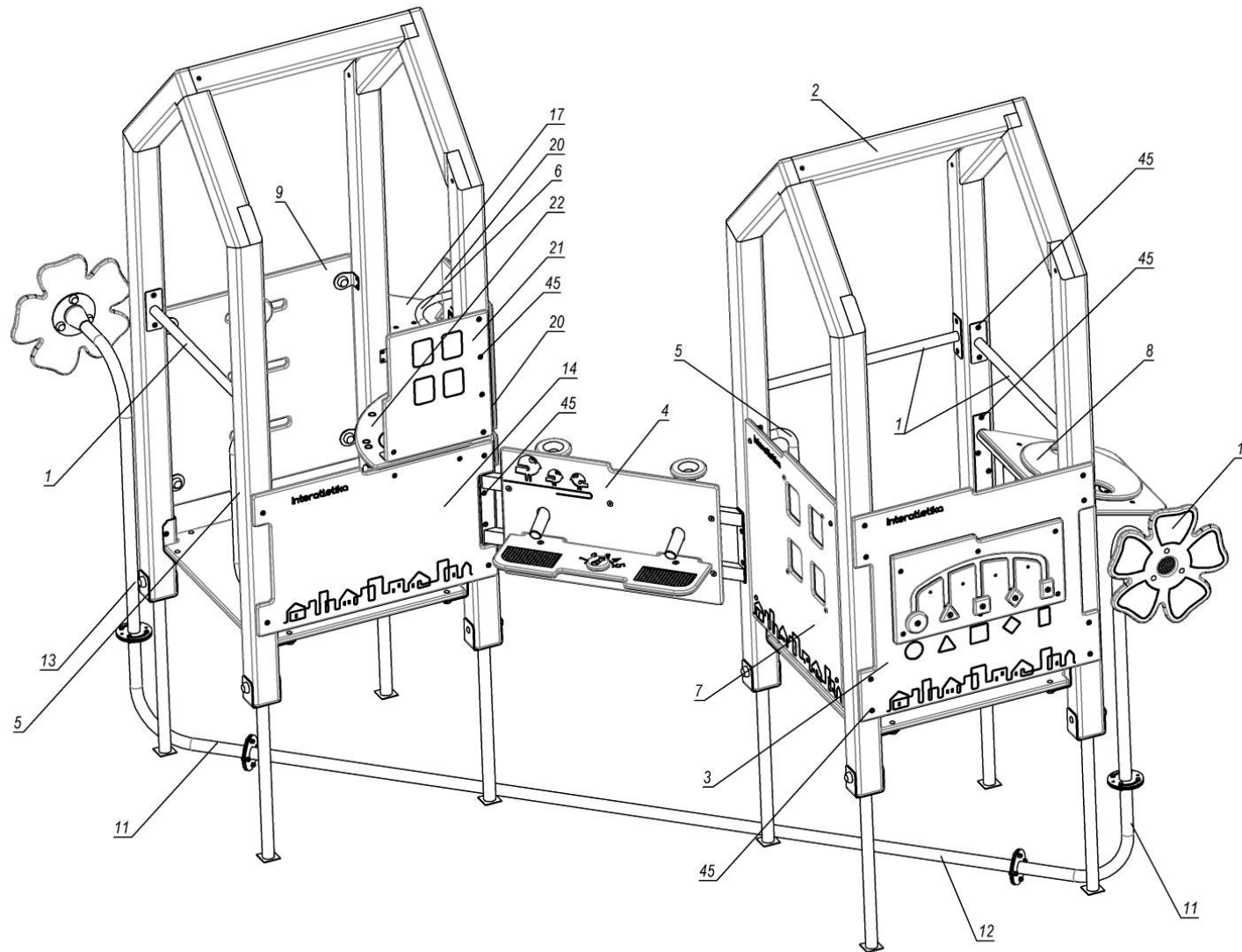
Picture 19

LK306 – House «Captain's bridge»



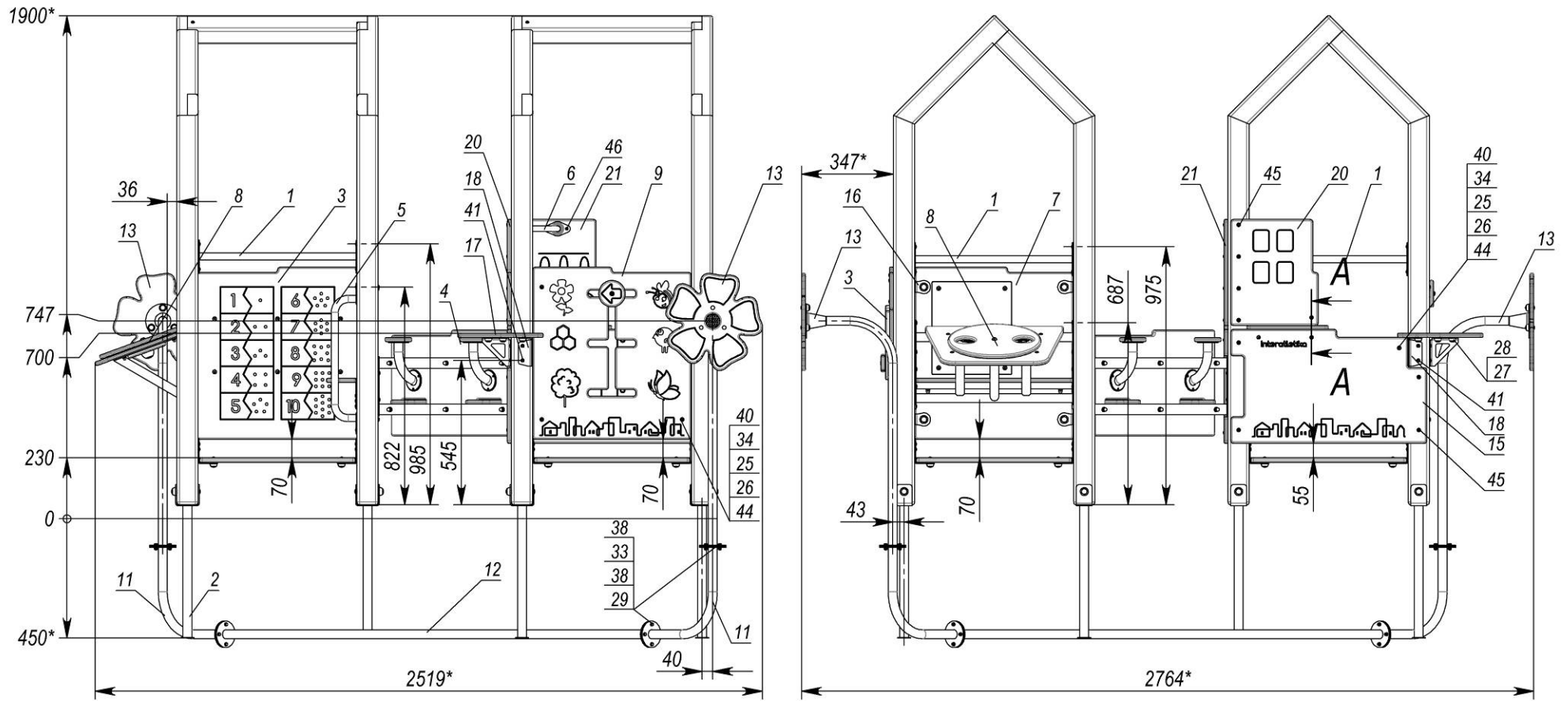
Picture 20

Not mentioned elements fastenings - with help of pos. 45.
Pos. 13 must be adjusted together with pos. 12.

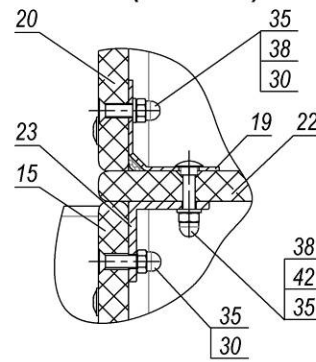


Picture 21

Pos.	Name	Weight, kg	Q-ty
1	Brace rod L=600 mm	1	3
2	House 0.76x0.76	46	2
3	Game console "School"	8	1
4	Game console with sieve	11	1
5	Handle		2
6	Handrail for kitchen		1
7	Panel 0.6 m "Window" right	5	1
8	Game console "What does anyone eat"		1
9	Panel "What's to what?"	5	1
10	Bench frame	2	1
11	Adapter	2	2
12	Intercom tube	5	1
13	Intercom rack	4	2
14	Panel (kitchen-stove)	4	1
15	Panel (kitchen)	4	1
16	Corner bracket 40x60		9
17	Table		1
18	Table angle bar		2
19	Angle bar 45x45x40 (90 degrees)		2
20	Kitchen cabinet	2	1
21	Kitchen cabinet	2	1
22	Hob	2	1
23	Angle bar (250 mm)		2
24	Seat (180x675)	1	1
25	Cap M8		9
26	Cup M8		9
27	Cup M6		4
28	Cap M6		4
29	Bolt M6*20 GOST7798		16
30	Stud M6x25 DIN7991		8
31	Stud M6x30 DIN7991		4
32	Stud M8x50 DIN7991		3
33	Nut M6 GOST5915		20
34	Nut M8 GOST5915		9
35	Cap nut M6 DIN1587		10
36	Cap nut M8 DIN1587		3
37	Ring 028-033-30 GOST 9833-73 (27.5x3)		4
38	Washer 6 GOST11371		36
39	Washer 8 GOST11371		7
40	Washer 10 GOST11371		9
41	Screw 6x40 GOST1144		4
42	Bolt M6*30 GOST7802		2
43	Screw 4x40 GOST1145		18
44	Stud M8x30 ISO7380		9
45	Screw 6.0x60 SPAX T-STAR plus (univers.)		58
46	Screw 5x16 GOST1144		4



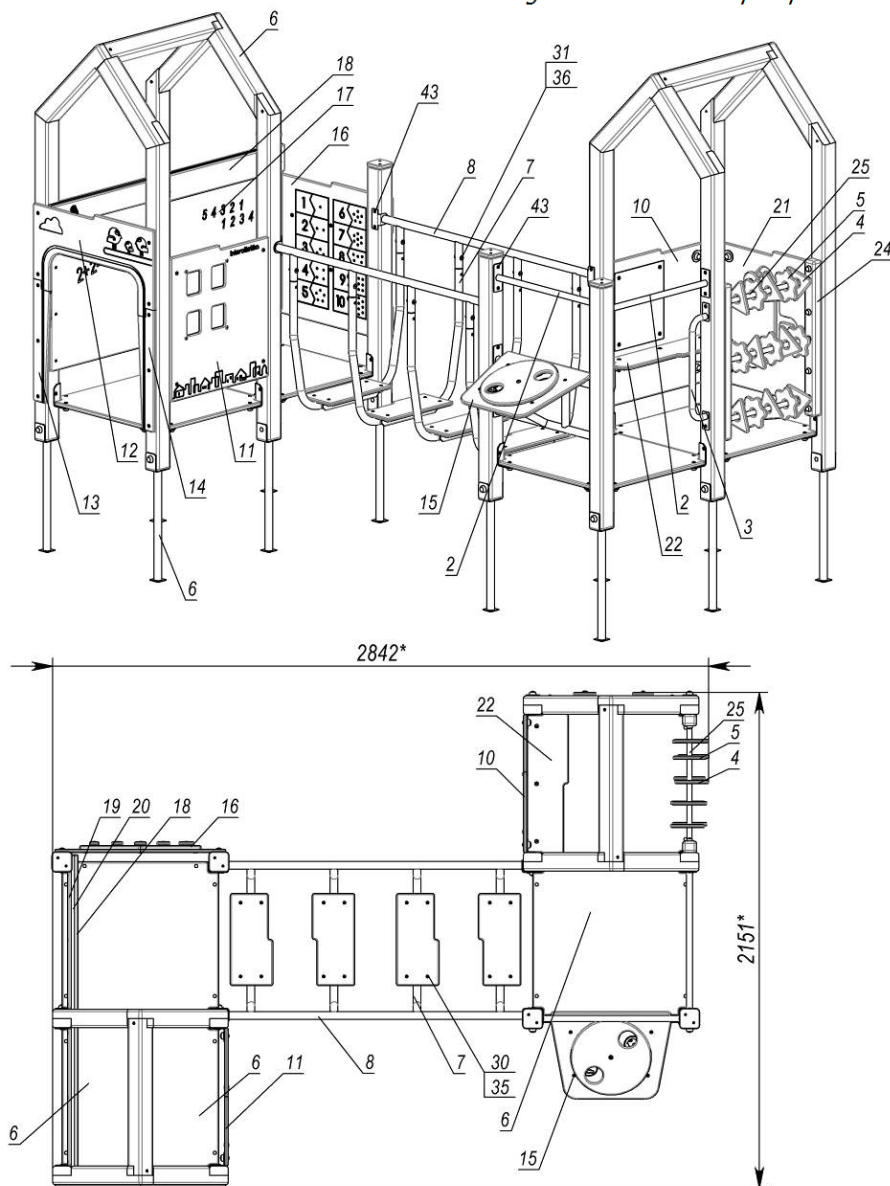
A-A (1 : 2.5)



Picture 22

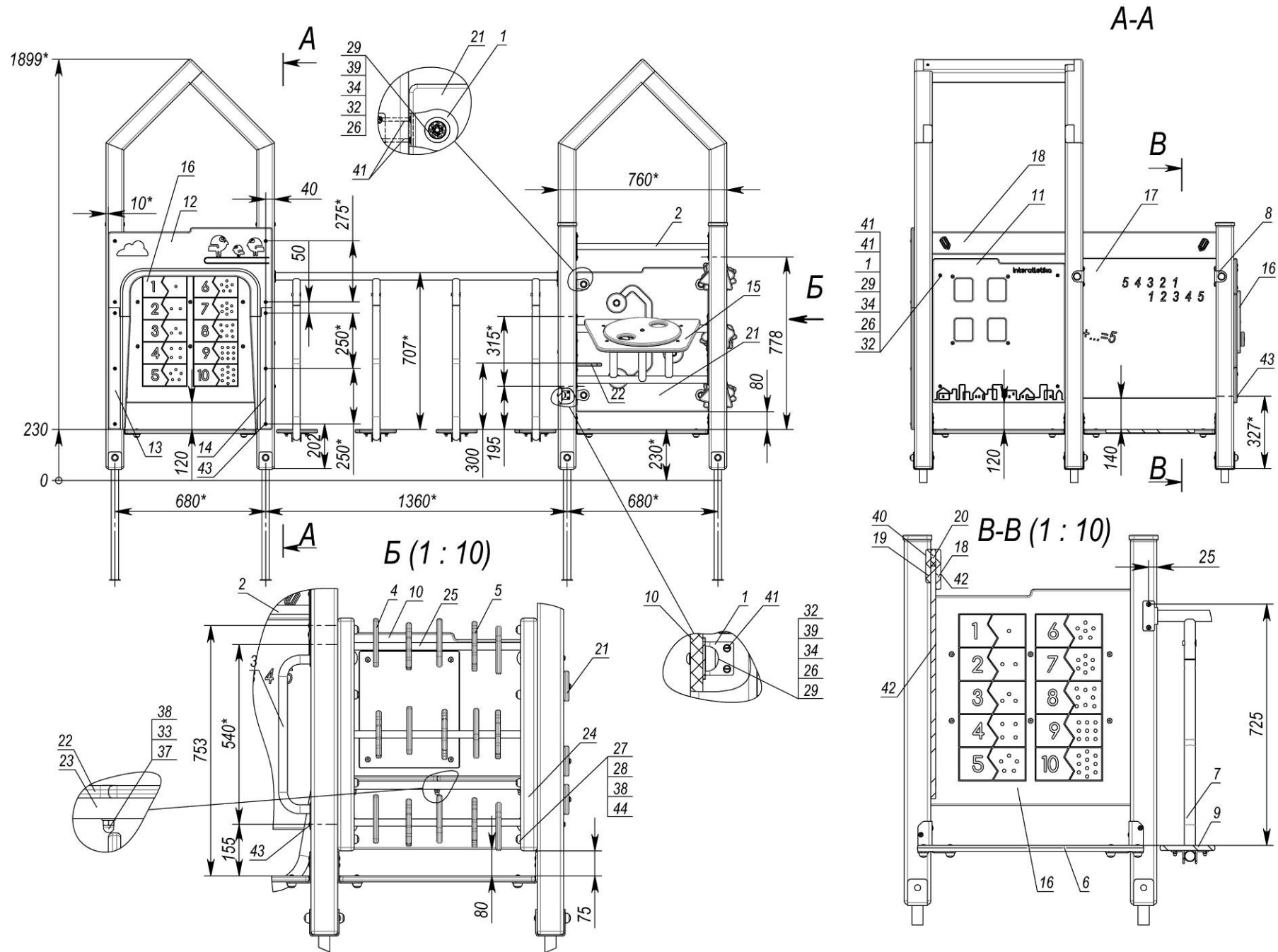
LK308 – House-gazebo «School»

Not mentioned fastening elements - with help of pos. 43.



Pos.	Name	Weight, kg	Q-ty
1	Corner bracket 40x60		12
2	Brace rod DN25 (L=600mm0	1	2
3	Handle		1
4	Triangle		8
5	Flower		7
6	House 0.76x1.44	65	2
7	Step frame	5	4
8	Railing with adapters	4	2
9	Step of LK bridge		4
10	Panel 0.6m "Window" right		1
11	Panel 0.6m "Window" left		1
12	Panel "Arch"	3	1
13	Arch rim		1
14	Arch rim		1
15	Game console "What does anyone eat"	12	1
16	Game panel "School"	8	1
17	Drawing board 0.7x1.42	11	1
18	Board rim 0.12x1.42	2	1
19	Back cover plate 0.6x0.1		2
20	Lining 1.42x0.5		1
21	Panel "Fruits" assembly	6	1
22	Seat 180x675	1	1
23	Bench frame	2	1
24	Board account	1	2
25	Counting frame guide		3
26	Cup M8		12
27	Cup M6		8
28	Cap M6		8
29	Cap M8		12
30	Stud M6x25 DIN7991		16
31	Stud M8*25 GOST11738		8
32	Stud M8x30 ISO7380		12
33	Stud M8x50 DIN7991		3
34	Nut M8 GOST5915		12
35	Cap nut M6 DIN1587		16
36	Ericson nut RFL M8x15x19x10		8
37	Cap nut M8 DIN1587		3
38	Washer 8 GOST11371		11
39	Washer 10 GOST11371		12
40	Screw 4x25 GOST1145		12
41	Screw 4x40 GOST1145		24
42	Screw 5x70 GOST1145		14
43	Screw 6.0x60 SPAX T-STAR plus (univers.)		50
44	Screw 6x90 GOST11473		8

Picture 23



Picture 24